

Floor Boxes

SystemOne Round Recessed 4 Gang Floor Box

For use in Raised Access or Wood Floors

HUBBELL

Features

- 8 in. diameter fits in air-diffuser holes
- Stamped steel construction
- Relocatable low voltage partitions
- Equal size device plates for installation flexibility
- Round covers

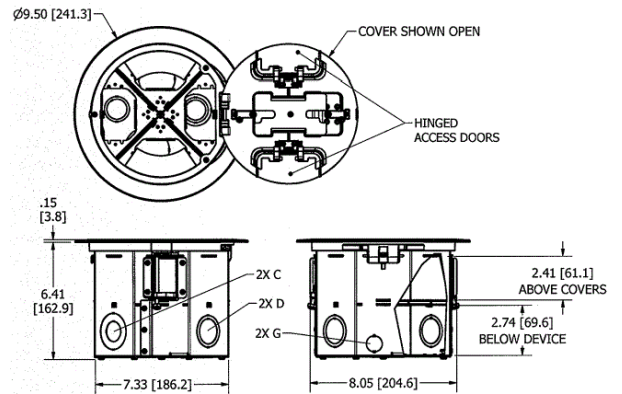
Ordering Information

- Temporary cover for use prior to trim-out
- One grounding screw per gang

| | | | |
|---------------------------------------|--|---|---------------------------------------|
| Catalog Number RAFB4BLK | UPC Number 783585445182 | Cover Series CFBS1R8xx - Included | Box Type Raised Access |
| Device Volume 28 1/2 cu in. | Depth Behind Mounting Plate 2 3/4 in.. | Max. Tile Thickness 2 in. | Min. Tile Thickness 3/4 in. |

Specifications

| | |
|--|---------------------------|
| Box Material | 16 gauge galvanized steel |
| Access Cover Material (ordered separately) | Die cast aluminum |



Online Resources

[Customer Use Drawing](#)
[eCatalog](#)
[Installation Instructions](#)

Dimensions in Inches (mm)

Hubbell Wiring Device-Kellems • Hubbell Incorporated (Delaware) • 40 Waterview Drive • Shelton, CT 06484

Phone (800) 288-6000 • Fax (800) 255-1031 • Specifications subject to change without notice.

