

Marine Products  
**100 Ampere, 125/250 Volt**  
 3 Pole 4 Wire  
**Ship-to-Shore Devices**



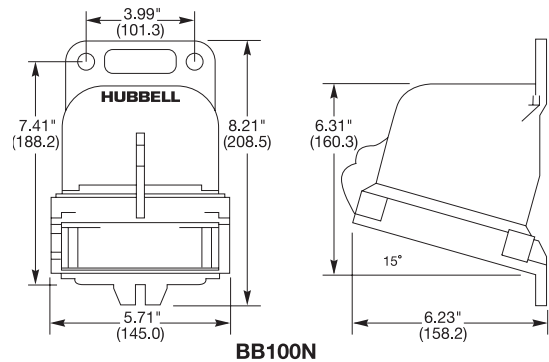
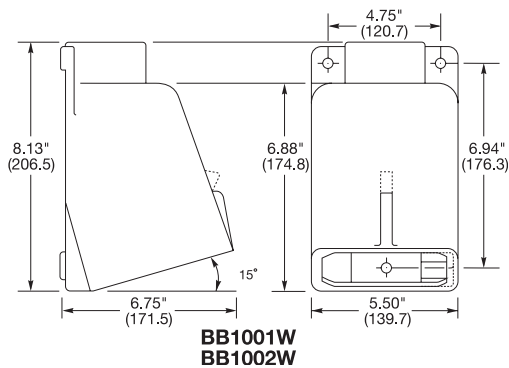
**M4100B12R**



**M4100C12R**



**BB1001W  
BB1002W**



**BB100N**



**100A 125/250V Ship-to-Shore Devices**

Description	Catalog Numbers
Gray nylon shore power inlet has gasketed, spring-loaded cover which closes automatically when not in use and is watertight when securely fastened. Mounting holes are 47/8" (123.8) on centers and rear portion has 315/16" (100.0) diameter. Mounting screws and gasket included.	<b>M4100B12R</b>
Yellow supertough nylon watertight connector body has gasketed locking ring to make inlet/connector interface watertight. Cord grip range is 1.000"-1.940" (25.4-49.3). Note: This device mates with shore power inlet only.	<b>M4100C12R</b>
15° angle cast aluminum back box has corrosion resistant gray finish and top hub with 1 1/2" N.P.T. 100A receptacles can be mounted directly to it.	<b>BB1001W</b>
Same as #BB1001W except threaded top hub is 2" N.P.T.	<b>BB1002W</b>
15° angle non-metallic back box, made of high-grade engineered thermoplastic Valox® to resist chemicals, abuse and U.V. rays. Has integral grounding plate, 1 1/2" NPT hub size and 120 cu. in. capacity (hub is not included - Raco part number 1706 is recommended).	<b>BB100N</b>

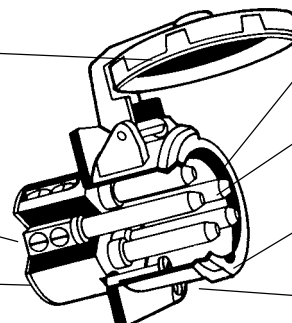
*Note: Periodic cleaning and lubrication (such as LPS-1 made by Holt Lloyd Corp.) of the pins and sleeves of these devices is necessary to enjoy years of optimal use.*

**Shore Power Inlet**

The gasketed, self-closing cover is keyed to normally seat in a position that provides a weatherproof seal. Simply rotating the cover and locking it makes it watertight.

The terminals are clearly identified with large markings for easy recognition.

High impact thermoset contact carrier is arcing and heat resistant.



The device is marked with its catalog number and rating for easy identification.

Nickel plated solid brass pins provide for long life and reliable electrical contact in corrosive environments.

Special keying makes proper alignment of mating devices quick and easy.

Nylon housing provides increased safety and abuse resistance.

Valox® is a registered trademark of General Electric Company.