

M-8028 2



FIGURE 2

| WIRE | COLOR |
|------|-------|
| 1    | GREEN |
| 2    | BLACK |
| 3    | WHITE |

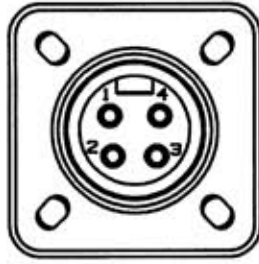


FIGURE 3

| WIRE | COLOR |
|------|-------|
| 1    | BLACK |
| 2    | WHITE |
| 3    | RED   |
| 4    | GREEN |



FIGURE 4

| WIRE | COLOR  |
|------|--------|
| 1    | WHITE  |
| 2    | RED    |
| 3    | GREEN  |
| 4    | ORANGE |
| 5    | BLACK  |

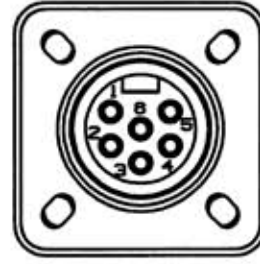


FIGURE 5

| WIRE | COLOR  |
|------|--------|
| 1    | WHITE  |
| 2    | RED    |
| 3    | GREEN  |
| 4    | ORANGE |
| 5    | BLACK  |
| 6    | BLUE   |

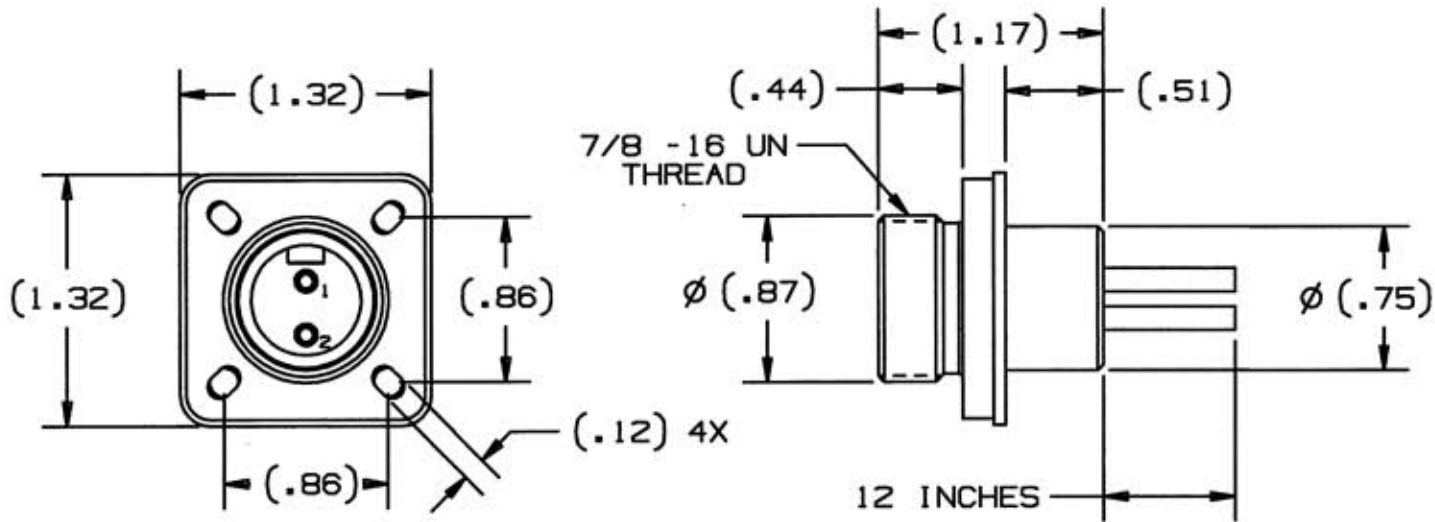
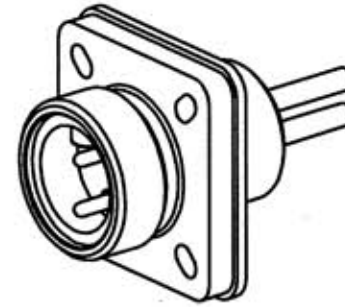


FIGURE 1

| WIRE | COLOR |
|------|-------|
| 1    | WHITE |
| 2    | BLACK |



| CATALOG NUMBER | SEE FIGURE NUMBER | NUMBER OF POLES | AMPS |
|----------------|-------------------|-----------------|------|
| HBMF02501      | 1                 | 2               | 15   |
| HBMF03501      | 2                 | 3               | 15   |
| HBMF04501      | 3                 | 4               | 12   |
| HBMF05501      | 4                 | 5               | 10   |
| HBMF06501      | 5                 | 6               | 10   |

LIST OF PARTS

| DESCRIPTION      | MATERIAL   | FINISH          |
|------------------|------------|-----------------|
| RECEPTACLE SHELL | BRASS      | NICKEL          |
| INSULATOR        | NYLON      | WHITE           |
| RETAINER         | NYLON      | BLACK           |
| GASKET           | NEOPRENE   | BLACK           |
| PIN CONTACT      | BRASS      | GOLD OVER Pd/Ni |
| WIRE             | 16 AWG PVC |                 |

| SYM | REVISIONS  | APP | DATE     |
|-----|--|-----|----------|
| 2   | (1.17) WAS (1.11); (.51) WAS (.45) PER DCN 12264 RCM | GPH | 3/17/05  |
| 1   | RELEASED PER DCN6427. DJH                            | GPH | 03/22/99 |

THE DESIGN AND DIMENSIONS OF THE PRODUCT SHOWN ON THIS DRAWING ARE SUBJECT TO CHANGE WITHOUT NOTICE

TITLE MALE RECEPTACLE FLANGE MOUNT, #16 AWG WIRE, 600V

|                                       |   |               |
|---------------------------------------|---|---------------|
| TOLERANCES UNLESS OTHERWISE SPECIFIED | WIRING DEVICE-KELLEMS HUBBELL INCORPORATED BRIDGEPORT, CT |               |
| FRACTIONS ± 1/64                      | DR. BY DJH  | APP. BY       |
| DECIMALS ± .005                       | TR. BY  | SCALE NONE    |
| ANGLES ± 2°                           | CHK'D BY  | DATE 03/19/99 |

DIMENSION SHEET FOR CAT. NO. SEE CHART

REPAIRABLE  NON-REPAIRABLE

B

M-8028

2