

Single Pole Devices and Temporary Power
 Series 16 - 300 and 400A, 600V AC/250V DC
 Tri-Tap T Connector

HUBBELL

Ordering Information

Description	Device Color	UPC	Catalog Number
Tri-Tap Connector (Male-Female-Female-Female)	Red	783585112800	HBLM3FR

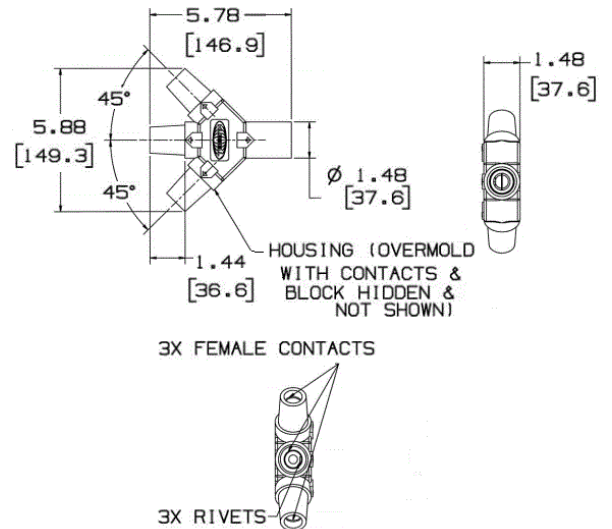


Standards

UL 498 and UL1691
 UL Enclosure Types 3R, 4X, 12

Specifications

Product Type	Ts" and Tri-Taps
Tee and Tap Type	Tri-Tap
Body Material	Thermoplastic Elastomer
Contact Material	Brass



Performance

Electrical	
Amperage Rating	400A Maximum
Voltage Ratings	600V AC Maximum; 250V DC Maximum

Mechanical

Product Identification	Ratings are a permanent part of the device
------------------------	--

Online Resources

Customer Use Drawing
 eCatalog
 Installation Instructions

Dimensions in Inches (mm)

Hubbell Wiring Device-Kellems • Hubbell Incorporated (Delaware) • 40 Waterview Drive • Shelton, CT 06484

Phone (800) 288-6000 • Fax (800) 255-1031 • Specifications subject to change without notice.

