

Features - Specifications

PLUGS AND CONNECTORS

- Impact/chemical-resistant nylon/polymer construction with automatic cord grip
- Pre-attached TPE dust seal helps prevent contaminants from entering wiring chamber
- Two quick-fasten captive assembly screws automatically tighten cord grip
- Single side terminal screws reduce wiring time and are color coded for proper terminations

- Transparent terminal cover allows instant visual inspection for proper terminations
- Tapered individual wire pockets help prevent flashover and speed wiring termination
- Strip gauge for accurate wiring
- Clamp-type terminals
- Verified under Fed. Spec. #WC596 (where applicable)

ALL PLUGS AND CONNECTORS

- UL Listed File #E1381 – Guide #AXUT
- CSA Certified File #LR16215 – Guide #20T2
- NOM
- CE



5466N



5469N



5464B



5469B



5475N

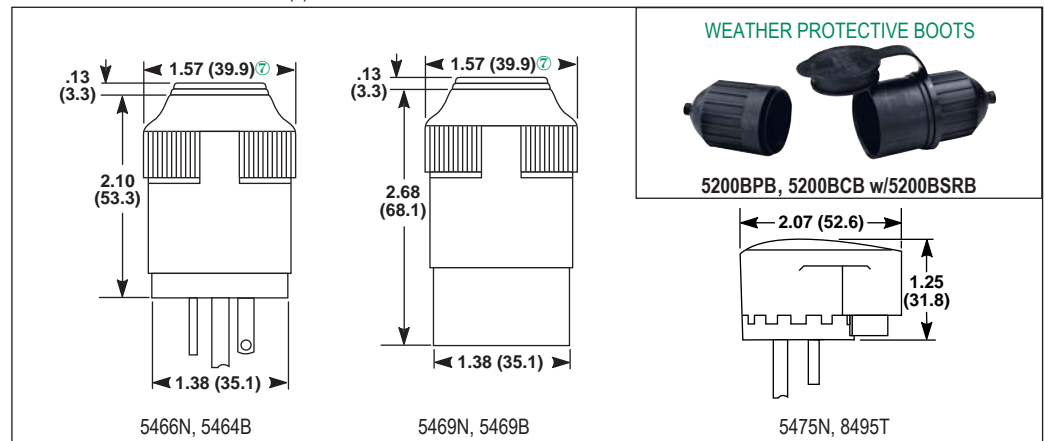
ATTACHMENT PLUGS AND CONNECTORS

CATALOG NUMBER		CORD DIA.	DESCRIPTION
PLUG	CONNECTOR		
5466N	5469N	.245-.655 (6.2-16.6)	Black & white nylon/polymer
—	5469NCAN ①	.245-.655 (6.2-16.6)	Same as above except CSA 6-20R configuration
8466N ②	8469N ②	.245-.655 (6.2-16.6)	White nylon/polymer, hospital grade
8466TSP	8469TSC	.300-.655 (7.6-16.6)	White nylon, water/dust-tight
5466NSY	5469NSY	.245-.655 (6.2-16.6)	Sentinel yellow nylon/polymer
5475N ③	—	.300-.625 (7.6-15.9)	12 position, black & white nylon, angle plug
8495T ②③	—	.300-.625 (7.6-15.9)	12 position, transparent nylon/polycarbonate, angle plug
5464B ③	5469B ③	.245-.655 (6.2-16.6)	Black thermoplastic
1448BRY ④	1548BRY ④	.300-.625 (7.6-15.9)	Yellow elastomeric, dust-tight

WEATHER PROTECTIVE BOOTS ⑤⑥

CATALOG NUMBER		DESCRIPTION
BLACK	YELLOW	
5200BPB	5200BP	Boot for use with 5466N and 5464B series plugs
5200BCB	5200BC	Boot for use with 5469N and 5469B series connectors
5200BSRB	5200BSR	Sealing ring for use with 5200 series connector boot

PRODUCT DIMENSIONS – () Indicates mm dimensions



① Not listed by Underwriter's Laboratories, Inc.
 ② See page C-7 and/or C-8 for hospital grade Features - Specifications.
 ③ Not all TECH-SPEC features apply to these devices. Consult factory.
 ④ See page I-13 for water/dust-tight Features - Specifications.
 ⑤ See page I-16 for more information on weather protective boots.

⑥ Not UL Listed or CSA Certified.
 ⑦ Dimension is 1.53 (38.9) for catalog numbers 5464B & 5469B.
 See page O-3 for horsepower rating.
 Specifications are subject to change without notice.