

## IEC Pin and Sleeve

60A, 3 Phase 250V, 3 Pole, 4 Wire

## Low Profile Pin and Sleeve Receptacle

# HUBBELL

### Features

- Split sleeves with self-adjusting stainless steel springs
- Stainless steel terminal screws resist rust and corrosion

### Ordering Information

Description	UPC	Catalog Number
Low Profile Pin and Sleeve, 60A 250V, 3P4W	783585507859	A460R9

**Device Color**  
Blue



### Specifications

Body	Zytel® 101 Nylon
Sleeves	Brass CDA #360
Assembly Screws	Stainless Steel
Terminal Screws	Stainless Steel

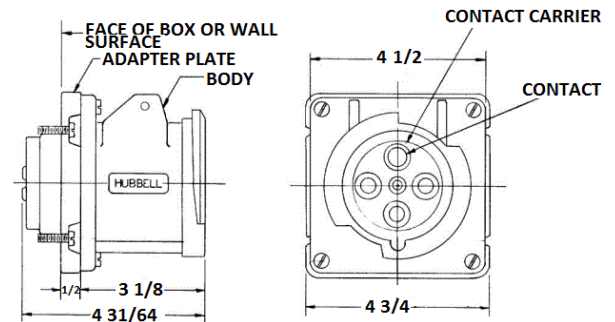
### Performance

**Electrical**  
Current Interrupting Certified for current interruption at full rated current

Dielectric Voltage Withstands 3,000V AC  
Max Working Voltage 250V RMS

**Mechanical**  
Impact Resistance Per CSA C22.2 No. 182.1 / UL1682  
Product Identification Ratings are a permanent part of the device housing  
Terminal Identification Terminals identified in accordance with North American convention

**Environmental**  
Flammability HB or better per UL 94 or CSA C22.2 No. 0.17  
Ingress Protection IP22 Suitability  
Operating Temperatures Max. Continuous +75°C; Min. -40°C w/o impact



### Online Resources

Customer Use Drawing  
eCatalog  
Installation Instructions

Dimensions in Inches (mm)

Hubbell Wiring Device-Kellems • Hubbell Incorporated (Delaware) • 40 Waterview Drive • Shelton, CT 06484

Phone (800) 288-6000 • Fax (800) 255-1031 • Specifications subject to change without notice.

