



## Table of Contents



### Watertight Devices



### FD Boxes and Angled Adapters



### GFCI Protected FD Box



Product	Page
Watertight Safety-Shroud® Twist-Lock® Devices	
20A and 30A Devices	C-2
Accessories	C-4
Watertight Devices	
15A and 20A, Straight Blade Devices	C-6
15A, 20A and 30A, Twist-Lock® Devices	C-7
Accessories	C-8

Product	Page
FD Boxes and Angled Adapters	C-9
GFCI Protected FD Box	C-10
Portable Outlet Boxes and Covers	C-11
Heavy-Duty Portable Outlet Boxes and Plates	C-12
Dimensions	C-13
Technical Information	C-14



## Features and Benefits

### Watertight Safety-Shroud® Twist-Lock® System

- Virtually eliminates bent and broken plug blades, leading to longer equipment life
- Extends life of mating receptacles by eliminating damage caused by insertion of bent blades
- Extra protection for personnel by significantly reducing chance of inadvertent contact with blades when connecting or disconnecting energized receptacles and connector bodies
- Reduces exposure to arcing when connecting or disconnecting plugs under load
- Compliance with California Code of Regulations, Title 8, Article 51, subsection 2510.7(b), which requires shrouding for devices exceeding 300 volts
- Lockout/tagout hole allows compliance with OSHA regulation 29 CFR 1910.147



HBL2731SW



HBL2733SW

Note: Works with Mechanical Interlocks, see page B-39 for additional information.



#### Housing Design

- One-piece, engineered thermoplastic housing is impact-resistant for heavy-duty industrial environments
- Blades are recessed for protection against bending and breaking
- Closure cap is included for environmental seal when device is not in use



#### Assembly

- Cord grip screw recess minimizes screwdriver slippage
- All screws are #10 multiple drive head



#### Cord Range

- Assorted TPE seal glands can accommodate a wide range of cord sizes from #16-3 Type SJ to #8-5 Type S, SO
- Sealing gland and thermoplastic guard prevents water ingress from entering the device at the cord end



#### Panel or Box Mount Receptacles and Inlets

- High impact, thermoplastic housing for heavy-duty industrial environments
- Mounting screw recesses minimize screwdriver slippage
- Accepts all mating NEMA locking plugs and most connector bodies, allowing interchangeability with existing devices



#### Identification

- Catalog number and color-coded voltage rating are easily visible even when in use
- Alignment arrows and lock and unlock symbols provide a visual indication that devices are properly connected



#### Spring-Loaded Cover

- One-step, push-to-close, spring-loaded cover with latch allows for fast opening and closing of lift cover
- Result: environmental sealing is assured

## Watertight Safety-Shroud® Twist-Lock® Devices



	NEMA Rating Color Coded by Voltage	Plug/ Connector	Poles/Wires	Plug	Connector	Flanged Inlet	Receptacle
20 Amp	NEMA L5-20 20A 125V		2P/3W	<b>HBL2311SW</b>	<b>HBL2313SW</b>	<b>HBL2315SW</b>	<b>HBL2310SW</b>
	NEMA L6-20 20A 250V		2P/3W	<b>HBL2321SW</b>	<b>HBL2323SW</b>	<b>HBL2325SW</b>	<b>HBL2320SW</b>
	NEMA L7-20 20A 277V AC		2P/3W	<b>HBL2331SW</b>	<b>HBL2333SW</b>	<b>HBL2335SW</b>	<b>HBL2330SW</b>
	NEMA L14-20 20A 125/250V AC		3P/4W	<b>HBL2411SW</b>	<b>HBL2413SW</b>	<b>HBL2415SW</b>	<b>HBL2410SW</b>
	NEMA L15-20 20A 3Ø 250V AC		3P/4W	<b>HBL2421SW</b>	<b>HBL2423SW</b>	<b>HBL2425SW</b>	<b>HBL2420SW</b>
	NEMA L16-20 20A 3Ø 480V AC		3P/4W	<b>HBL2431SW</b>	<b>HBL2433SW</b>	<b>HBL2435SW</b>	<b>HBL2430SW</b>
	NEMA L21-20 20A 3ØY 120/208V AC		4P/5W	<b>HBL2511SW</b>	<b>HBL2513SW</b>	<b>HBL2515SW</b>	<b>HBL2510SW</b>
30 Amp	NEMA L5-30 30A 125V		2P/3W	<b>HBL2611SW</b>	<b>HBL2613SW</b>	<b>HBL2615SW</b>	<b>HBL2610SW</b>
	NEMA L6-30 30A 250V		2P/3W	<b>HBL2621SW</b>	<b>HBL2623SW</b>	<b>HBL2625SW</b>	<b>HBL2620SW</b>
	NEMA L14-30 30A 125/250V AC		3P/4W	<b>HBL2711SW</b>	<b>HBL2713SW</b>	<b>HBL2715SW</b>	<b>HBL2710SW</b>
	NEMA L15-30 30A 3Ø 250V AC		3P/4W	<b>HBL2721SW</b>	<b>HBL2723SW</b>	<b>HBL2725SW</b>	<b>HBL2720SW</b>
	NEMA L16-30 30A 3Ø 480V AC		3P/4W	<b>HBL2731SW</b>	<b>HBL2733SW</b>	<b>HBL2735SW</b>	<b>HBL2730SW</b>
	NEMA L17-30 30A 3Ø 600V AC		3P/4W	<b>HBL2741SW</b>	<b>HBL2743SW</b>	<b>HBL2745SW</b>	<b>HBL2740SW</b>
	NEMA L21-30 30A 3ØY 120/208V AC		4P/5W	<b>HBL2811SW</b>	<b>HBL2813SW</b>	<b>HBL2815SW</b>	<b>HBL2810SW</b>

Note: For technical information on Watertight Safety-Shroud devices see page B-70.

## Mechanical Interlock Switched Safety Enclosure

Description	Catalog Number
Unfused mechanical interlock integrates a watertight safety shroud receptacle with a linked disconnect switch. For additional details, see page B-39.	<b>HBLMITL</b>



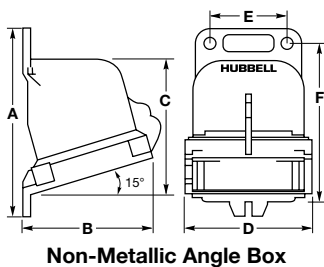
**HBLMITL**

## Specifications

Listings	
Listed to UL Standard 498. Certified to CSA Standard No.42. Fed. Spec. WC-596.	
Environmental	
Moisture Resistance	UL Type 4, 4X, 12, IP66 suitability.
Flammability (Enclosure)	V0 per UL94 or CSA 22.2 No. 0.17.
Operating Temperatures	Maximum Continuous 75°C; Minimum -40°C (w/o impact).



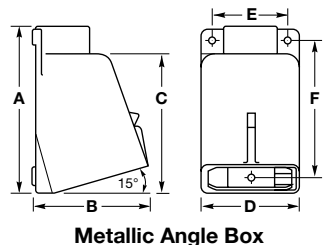
## Accessories



### 15° Angle Non-Metallic Back Box

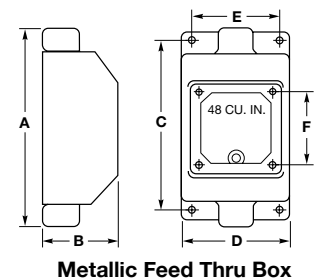
Description	NPT Hub Size	A Inch (mm)	B Inch (mm)	C Inch (mm)	D Inch (mm)	E Inch (mm)	F Inch (mm)	Cubic Inch Capacity	Catalog Number
For 20A and 30A Watertight Safety-Shroud Twist-Lock Receptacles and Inlets.	1"	5.67" (144.0)	4.44" (112.8)	4.05" (102.9)	3.91" (99.3)	2.35" (59.7)	4.92" (125.0)	30.00"	<b>BB2030N</b>

Note: Hub is not included; order Raco part number 1704. This box meets IP67 requirement and Type 4X requirements when installed with a watertight conduit hub.



### 15° Angle Metallic Back Boxes

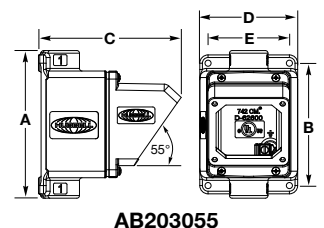
Description	NPT Hub Size	A Inch (mm)	B Inch (mm)	C Inch (mm)	D Inch (mm)	E Inch (mm)	F Inch (mm)	Cubic Inch Capacity	Catalog Number
For 20A and 30A Watertight Safety-Shroud Twist-Lock Receptacles and Inlets.	¾"	5.13" (130.2)	4.00" (101.6)	4.19" (106.4)	3.75" (95.3)	3.00" (76.2)	4.00" (101.6)	30.00"	<b>BB201W</b>
	1"	5.13" (130.2)	4.00" (101.6)	4.19" (106.4)	3.75" (95.3)	3.00" (76.2)	4.00" (101.6)	30.00"	<b>BB301W</b>



### Metallic Feed Thru Back Boxes

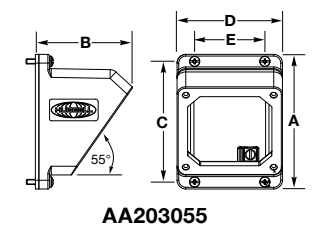
Description	NPT Hub Size	A Inch (mm)	B Inch (mm)	C Inch (mm)	D Inch (mm)	E Inch (mm)	F Inch (mm)	Cubic Inch Capacity	Catalog Number
For 20A and 30A Watertight Safety-Shroud Twist-Lock Receptacles and Inlets.	¾"	8.25" (209.6)	3.06" (77.8)	7.14" (181.4)	4.50" (114.3)	3.75" (95.3)	3.13" (79.5)	48.00"	<b>FT202W</b>
	1"	8.25" (209.6)	3.06" (77.8)	7.14" (181.4)	4.50" (114.3)	3.75" (95.3)	3.13" (79.5)	48.00"	<b>FT302W</b>

Note: These boxes are cast aluminum and are finished with enamel paint. These boxes withstand a 500-hour salt spray test as well as UL raintight and external icing tests. NPT (metric designator).



### 55° Angle Metallic Adapter and Back Box

Description	NPT Hub Size	A Inch (mm)	B Inch (mm)	C Inch (mm)	D Inch (mm)	E Inch (mm)	F Inch (mm)	Cubic Inch Capacity	Catalog Number
For 20A and 30A Watertight Safety-Shroud Twist-Lock Receptacles and Inlets	1"	6.80" (172.4)	5.63" (142.9)	6.60" (167.0)	4.50" (114.3)	3.74" (95.0)	-	45.27"	<b>AB203055</b>



### 55° Angle Metallic Adapter with Grounding Lug

Description	A Inch (mm)	B Inch (mm)	C Inch (mm)	D Inch (mm)	E Inch (mm)	F Inch (mm)	Cubic Inch Capacity	Catalog Number
For 20A and 30A Watertight Safety-Shroud Twist-Lock Receptacles and Inlets	4.89" (124.2)	3.33" (84.8)	4.29" (109.0)	3.75" (95.3)	2.50" (63.5)	-	25.00"	<b>AA203055</b>



### Straight Watertight Wall Box Adapter

Description	Catalog Number
Adapts 20A and 30A Watertight Safety-Shroud Twist-Lock receptacles and inlets to 2-gang, device mount, FD boxes.	<b>HBL2030AP</b>



### Non-Watertight Angle Wall Box Adapter

Description	Catalog Number
Adapts 20A and 30A Watertight Safety-Shroud Twist-Lock receptacles to 1- or 2-gang standard wall boxes (4" or 4½" square).	<b>AA2030PS</b>

Dimensions in Inches (mm)



## Features and Benefits

### Watertight Devices

- The triple bypass seal provides a Watertight UL Type 4X seal where devices are mated. The cone seal at the cable entrance also provides protection from water ingress
- Strongest strain relief for any Watertight device on the market, utilizing the patented Gotcha ring and collapsible bushing combination
- Nickel plated brass contacts and stainless steel screws provide corrosion resistance for metallic components
- Impact resistant, smooth, thermoplastic elastomer body helps aid in easy debris removal



HBL24W47A



HBL25W47A



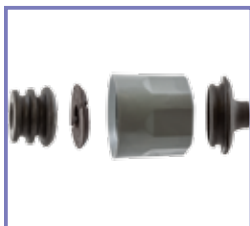
#### Housing Design

- Smooth body design minimizes collection points simplifying the wash down process
- Strain relief nut always seals on the body, eliminating areas of debris collection



#### Assembly

- Keyed interior for easy installation
- All stainless steel hardware and corrosion resistant connection points



#### Cord Range

- Hubbell's patented Gotcha® ring and collapsible bushing yields the industry's best strain relief
- Cone seal adjusts to any cable range
- Unique cone seal prevents dirt and debris from collecting at the cable entrance



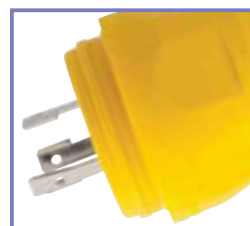
#### Contacts

- High conductivity brass termination



#### Protection

- Triple bypass seal keeps water away from electrical connections and works with previously installed devices
- Free-floating cap allows unwanted material to wash away during sanitation



#### Plug Blades

- Corrosion resistant connection points

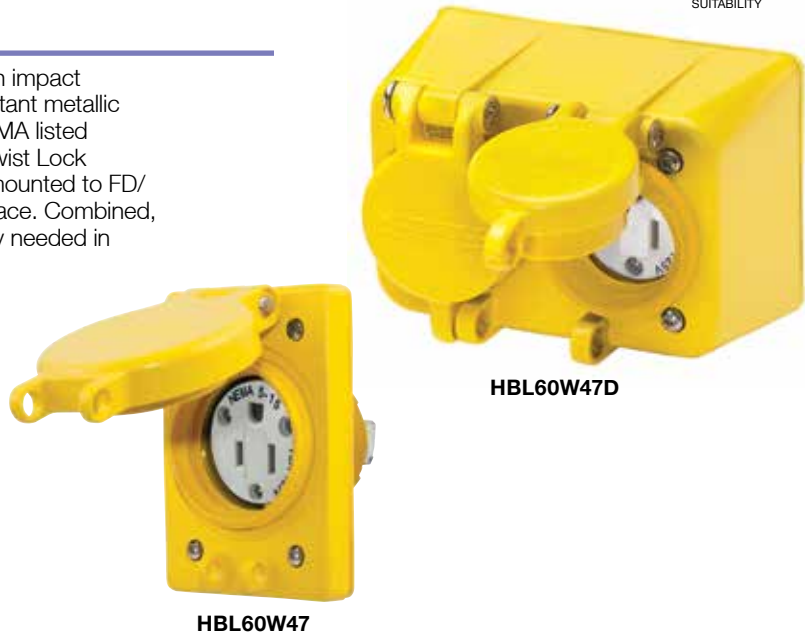
## Features and Benefits

UL Type 4, 4X, 6P

**IP65, 66, 67**  
SUITABILITY

### Watertight Receptacles with Lift Covers

Hubbell Watertight receptacles with lift covers provide an impact resistant UL Type 4X seal combined with corrosion resistant metallic components. These universal covers can house any NEMA listed straight blade receptacles as well as any NEMA listed Twist Lock receptacles. The Watertight receptacles can either be mounted to FD/FS boxes (see page C-9) or panel mounted to a flat surface. Combined, this makes a diversified product with a high grade quality needed in industrial, wet and wash down applications.



#### Housing Design

- Impact resistant PBT material lid and cover plate
- Thermoplastic elastomer seal
- Lockable cover meets OSHA Lockout/Tagout regulations



#### Assembly

- Stainless steel mounting hardware
- Stainless steel hinge spring and pin



HBL14W47A

HBL15W47A



#### Also Available:

- Watertight Lift Covers, for use with standard receptacles



HBL60W47

HBL60W47D

### Straight Blade Devices

	Rating	Plug/Connector	Poles/Wires	Color	Plug	Connector	Receptacle with Lift Cover	Duplex Receptacle
15 Amp	NEMA 5-15 15A 125V		2P/3W	Yellow Black	<b>HBL14W47A</b> <b>HBL14W47BK</b>	<b>HBL15W47A</b> <b>HBL15W47BK</b>	<b>HBL60W47</b> <b>HBL60W47BK</b>	<b>HBL60W47D</b> —
	NEMA 6-15 15A 250V		2P/3W	Yellow	<b>HBL14W49</b>	<b>HBL15W49</b>	<b>HBL60W49</b>	<b>HBL60W49D</b>
	15A 125V 10A 600V Non-NEMA		2P/3W	Yellow	<b>HBL14W07</b>	<b>HBL15W07</b>	—	—
20 Amp	NEMA 5-20 20A 125V		2P/3W	Yellow	<b>HBL14W33A</b>	<b>HBL15W33A</b>	<b>HBL60W33</b>	<b>HBL60W33D</b>
	NEMA 6-20 20A 250V		2P/3W	Yellow	<b>HBL14W48</b>	<b>HBL15W48</b>	<b>HBL60W48</b>	<b>HBL60W48D</b>

## Twist-Lock® Devices

**IP65, 66, 67**  
SUITABILITY

	Rating	Plug/ Connector	Poles/ Wires	Color	Plug	Connector	Receptacle with Lift Cover	Duplex Receptacle
15 Amp	NEMA L5-15 15A 125V		2P/3W	Yellow Black	<b>HBL24W47A</b> <b>HBL24W47BK</b>	<b>HBL25W47A</b> <b>HBL25W47BK</b>	<b>HBL65W47</b> —	<b>HBL65W47D</b> —
	NEMA L6-15 15A 250V		2P/3W	Yellow	<b>HBL24W49</b>	<b>HBL25W49</b>	<b>HBL65W49</b>	<b>HBL65W49D</b>
	NEMA L7-15 15A 277V AC		2P/3W	Yellow Black	<b>HBL24W34</b> <b>HBL24W34BK</b>	<b>HBL25W34</b> <b>HBL25W34BK</b>	<b>HBL65W34</b> —	<b>HBL65W34D</b> —
20 Amp	NEMA L5-20 20A 125V		2P/3W	Yellow Black	<b>HBL26W47</b> <b>HBL26W47BK</b>	<b>HBL27W47</b> <b>HBL27W47BK</b>	<b>HBL67W47</b> —	—
	NEMA L6-20 20A 250V		2P/3W	Yellow Black	<b>HBL26W48</b> <b>HBL26W48BK</b>	<b>HBL27W48</b> <b>HBL27W48BK</b>	<b>HBL67W48</b> <b>HBL67W48BK</b>	—
	NEMA L7-20 20A 277V AC		2P/3W	Yellow	<b>HBL26W49</b>	<b>HBL27W49</b>	<b>HBL67W49</b>	—
	NEMA L14-20 20A 125/250V AC		3P/4W	Yellow	<b>HBL26W74</b>	<b>HBL27W74</b>	<b>HBL67W74</b>	—
	NEMA L15-20 20A 3Ø 250V AC		3P/4W	Yellow Black	<b>HBL26W75</b> <b>HBL26W75BK</b>	<b>HBL27W75</b> <b>HBL27W75BK</b>	<b>HBL67W75</b> <b>HBL67W75BK</b>	—
	NEMA L16-20 20A 3Ø 480V AC		3P/4W	Yellow Black	<b>HBL26W76</b> <b>HBL26W76BK</b>	<b>HBL27W76</b> <b>HBL27W76BK</b>	<b>HBL67W76</b> <b>HBL67W76BK</b>	—
	NEMA L21-20 20A 3ØY 120/208V AC		4P/5W	Yellow Black	<b>HBL26W81</b> <b>HBL26W81BK</b>	<b>HBL27W81</b> <b>HBL27W81BK</b>	<b>HBL67W81</b> —	—
	NEMA L22-20 20A 3ØY 277/480V AC		4P/5W	Yellow	<b>HBL26W82</b>	<b>HBL27W82</b>	<b>HBL67W82</b>	—
	NEMA L23-20 20A 3ØY 347/600V		4P/5W	Yellow	<b>HBL26W83</b>	<b>HBL27W83</b>	<b>HBL67W83</b>	—
	20A 125/250V Non-NEMA		3P/3W	Yellow	<b>HBL26W08</b>	<b>HBL27W08</b>	<b>HBL67W08</b>	—
20A 3ØY 120/208V AC Non-NEMA		4P/4W	Yellow	<b>HBL26W09</b>	<b>HBL27W09</b>	<b>HBL67W09</b>	—	
30 Amp	NEMA L5-30 30A 125V		2P/3W	Yellow Black	<b>HBL28W47</b> <b>HBL28W47BK</b>	<b>HBL29W47</b> <b>HBL29W47BK</b>	<b>HBL69W47</b> —	—
	NEMA L6-30 30A 250V		2P/3W	Yellow Black	<b>HBL28W48</b> —	<b>HBL29W48</b> —	<b>HBL69W48</b> <b>HBL69W48BK</b>	—
	NEMA L7-30 30A 277V AC		2P/3W	Yellow	<b>HBL28W49</b>	<b>HBL29W49</b>	<b>HBL69W49</b>	—
	NEMA L14-30 30A 125/250V AC		3P/4W	Yellow	<b>HBL28W74</b>	<b>HBL29W74</b>	<b>HBL69W74</b>	—
	NEMA L15-30 30A 3Ø 250V AC		3P/4W	Yellow Black	<b>HBL28W75</b> <b>HBL28W75BK</b>	<b>HBL29W75</b> <b>HBL29W75BK</b>	<b>HBL69W75</b> <b>HBL69W75BK</b>	—
	NEMA L16-30 30A 3Ø 480V AC		3P/4W	Yellow Black	<b>HBL28W76</b> <b>HBL28W76BK</b>	<b>HBL29W76</b> <b>HBL29W76BK</b>	<b>HBL69W76</b> <b>HBL69W76BK</b>	—
	NEMA L17-30 30A 3Ø 600V AC		3P/4W	Yellow	<b>HBL28W77</b>	<b>HBL29W77</b>	<b>HBL69W77</b>	—
	NEMA L18-30 30A 3ØY 120/208V AC		4P/4W	Yellow	<b>HBL28W78</b>	<b>HBL29W78</b>	—	—
	NEMA L21-30 30A 3ØY 120/208V AC		4P/5W	Yellow Black	<b>HBL28W81</b> <b>HBL28W81BK</b>	<b>HBL29W81</b> <b>HBL29W81BK</b>	<b>HBL69W81</b> —	—
	NEMA L22-30 30A 3ØY 277/480V AC		4P/5W	Yellow	<b>HBL28W82</b>	<b>HBL29W82</b>	<b>HBL69W82</b>	—
	NEMA L23-30 30A 3ØY 347/600V AC		4P/5W	Yellow	<b>HBL28W83</b>	<b>HBL29W83</b>	<b>HBL69W83</b>	—
	30A 125/250V Non-NEMA		3P/3W	Yellow	<b>HBL28W08</b>	<b>HBL29W08</b>	<b>HBL69W08</b>	—
30A 3ØY 120/208V AC Non-NEMA		4P/4W	Yellow	<b>HBL28W09</b>	<b>HBL29W09</b>	—	—	

HBL24W47A

HBL25W47A

HBL26W47

HBL26W47BK

HBL27W47

HBL27W47BK

HBL67W48

HBL65W47D





**HBL6500**



**HBL28W75IN**



**HBL29W75IN**



**HBLWTB1**



**HBLWTCS2**



**HBL50W50**

### UL Type 4X Watertight Lift Covers

	Description	Color	Receptacle with Lift Cover
Lift Cover Assembly	For use with 15A or 20A straight blade receptacles and 15A Twist-Lock® receptacles; receptacle not included.	Yellow Black	<b>HBL6500</b> <b>HBL6500BK</b>
	For use with 20A Twist-Lock® receptacles; receptacle not included. <i>Note: When mating with HBL26W09, 20A Non-NEMA plug, use HBL6800 cover.</i>	Yellow Black	<b>HBL6700</b> <b>HBL6700BK</b>
	For use with 30A Twist-Lock® receptacles; receptacle not included.	Yellow Black	<b>HBL6800</b> <b>HBL6800BK</b>

### Interiors

	Device	125V		3Ø 250V AC		3Ø 480V AC	
		Plug	Receptacle	Plug	Receptacle	Plug	Receptacle
15A	Straight Blade Locking	<b>HBL14W47IN</b>	<b>HBL15W47IN</b>	—	—	—	—
		<b>HBL24W47IN</b>	—	—	—	—	—
20A	Locking	—	<b>HBL27W47IN</b>	<b>HBL26W75IN</b>	—	<b>HBL26W76IN</b>	<b>HBL27W76IN</b>
30A	Locking	—	—	<b>HBL28W75IN</b>	<b>HBL29W75IN</b>	<b>HBL28W76IN</b>	<b>HBL29W76IN</b>

### Bushings, Cone Seals and Closure Caps

	Device	Bushings	Cone Seals	Closure Caps	
				Yellow	Black
15A	Straight Blade Locking	<b>HBLWTB1</b>	<b>HBLWTCS1</b>	<b>HBL50W50</b>	<b>HBL50W50BK</b>
		<b>HBLWTB1</b>	<b>HBLWTCS1</b>	<b>HBL50W50</b>	<b>HBL50W50BK</b>
20A	Straight Blade Locking	<b>HBLWTB1</b>	<b>HBLWTCS1</b>	<b>HBL50W50</b>	<b>HBL50W50BK</b>
		<b>HBLWTB2</b>	<b>HBLWTCS2</b>	<b>HBL50W52</b>	<b>HBL50W52BK</b>
30A	Locking	<b>HBLWTB3</b>	<b>HBLWTCS3</b>	<b>HBL50W54</b>	<b>HBL50W54BK</b>

## Features and Benefits

UL Type 4X

**IP65, 66**  
SUITABILITY

### FD Boxes and Angled Adapters

Hubbell FD boxes and angled adapters are made of high impact resistant material. They are the only NEC compliant box system that has enough wiring room for a 50A Twist Lock device. The stainless steel mounting and grounding bracket provides corrosion resistance, necessary in direct wash down applications. The FD Boxes are UL Type 4X rated when used with Watertight Lift Covers, i.e. HBL6500 or HBL6700 as well as with a blank plate such as HBL60CM88. The box and angled adapter can either be purchase separately or as a kit. The FD box and Adapter can be used with any single or duplex receptacle up to 50A Twist Lock.



HBL60CM55

HBL60CM83A



#### Housing Design

- 30 cu. in. FD box made of high impact thermoplastic material
- 3/4" NPT and 1" NPT threaded hub options
- Stainless steel mounting/grounding bracket
- External mounting feet, accepts #10 screw



#### Adapter

- 55° angle adapter (15 cu. in.)
- External mounting feet, accepts #8 screw
- Accepts duplex and single receptacles up to 50A Twist-Lock®

### FD Boxes and Angled Adapters

	Description	Catalog Number
Boxes	(2) 3/4" NPT Hubs, FD Box, Yellow	HBL60CM83A
	(2) 3/4" NPT Hubs, FD Box, White	HBL60CM83WA
	(2) 3/4" NPT Hubs, FD Box, Gray	HBL6083
	(2) 1" NPT Hubs, FD Box, Yellow	HBL60CM84A
	(2) 1" NPT Hubs, FD Box, White	HBL60CM84WA
	(2) 1" NPT Hubs, FD Box, Gray	HBL6084
Adapters	55° Angle Adapter, Yellow	HBL60CM55
	55° Angle Adapter, White	HBL60CM55W
	55° Angle Adapter, Gray	HBL6055
Kits	(2) 3/4" NPT Hubs, Box/Adapter Kit, Yellow	HBL60CM83AK
	(2) 3/4" NPT Hubs, Box/Adapter Kit, White	HBL60CM83WAK
	(2) 3/4" NPT Hubs, Box/Adapter Kit, Gray	HBL6083AK
	(2) 1" NPT Hubs, Box/Adapter Kit, Yellow	HBL60CM84AK
	(2) 1" NPT Hubs, Box/Adapter Kit, White	HBL60CM84WAK
	(2) 1" NPT Hubs, Box/Adapter Kit, Gray	HBL6084AK
Covers	Blank Cover Plate, Yellow	HBL60CM88
	Blank Cover Plate, White	HBL60CM88W
	Blank Cover Plate, Gray	HBLP14FS



HBL60CM83A



HBL60CM55



HBL60CM88



HBLP14FS



HBL60CM88W

## Features and Benefits

UL Type 4X

### GFCI Protected FD Box

The GFCI protected FD box provides a UL Type 4X GFCI enclosure made for wet and damp locations for 30A 120V and 240V Watertight receptacles. The GFCI response time does not exceed .025 seconds ensuring a safe circuit shut down if the current were to deviate from its path. Auto resetting GFCI box, when connected to an FD box by utilizing a PolyTuff liquid tight conduit provides advanced safety features for Watertight devices.



HBLWTGF120



#### GFCI Housing Design

- UL enclosure Type 4X, for wet and damp locations. Components are UL and CSA listed
- 30A, 120V and 240V with auto reset
- GFCI response time is .025 sec. Max.
- Grounded neutral protection trips if ground and neutral touch at load side



#### FD Box

- Utilizes PolyTuff® liquidtight conduit and fittings
- UL enclosure Type 4X, for wet and damp locations. Components are UL and CSA listed
- For use with single and duplex watertight receptacles (single phase only)

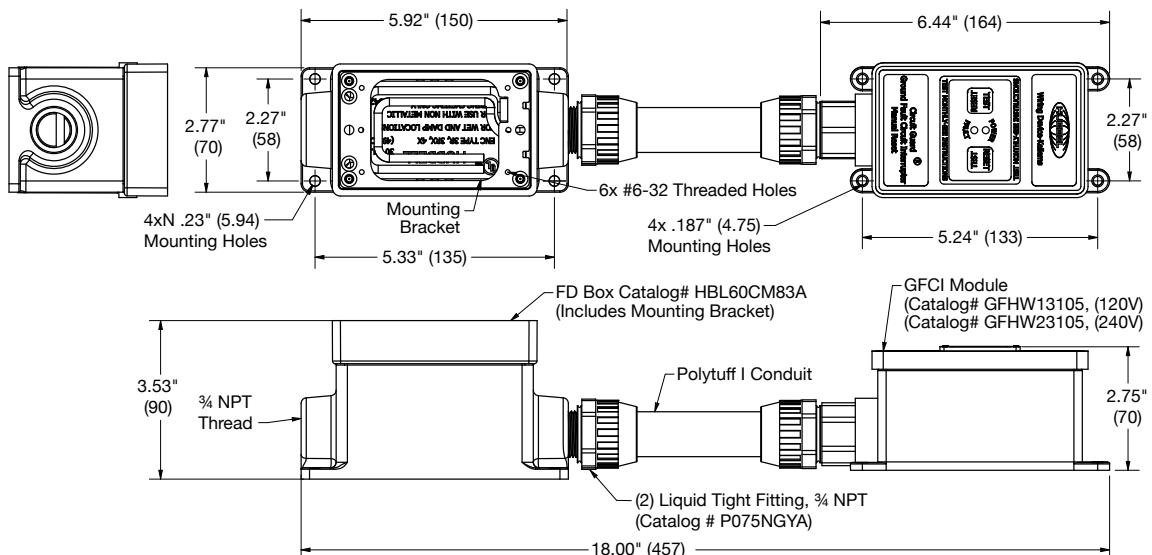
\* Watertight receptacles purchased separately.

### GFCI Protected FD Box

	Description	Catalog Number
FD Box	Watertight FD Box, GFCI Module, 30A, 120V, Yellow	<b>HBLWTGF120</b>
	Watertight FD Box, GFCI Module, 30A, 240V, Yellow	<b>HBLWTGF240</b>



HBLWTGF120  
HBLWTGF240



Dimensions in Inches (mm)



## Features and Benefits

Box Suitable for Wet and Damp Locations

**IP44**  
SUITABILITY

### Portable Outlet Boxes and Covers for Boxes and Panels

The thermoplastic elastomer material of the Portable Outlet Box provides a strong housing with enough real estate for multiple devices to fit, with cord feed through options available. The impact resistant PBT covers add to the durability of the box and the devices inside. There are several cord connectors available ranging from nylon to a nylon with cord grip attachment for an unmatched strain relief. The covers provide a UL Type 3R weather resistant seal suitable for wet and damp locations. Portable Outlet Boxes are available as pre-assembled or can be configured as needed.



#### Housing Design

- Fully thermoplastic elastomer housing exceeds UL crush requirements
- Wiring room large enough to accommodate the broadest range of device requirements in one size box
- Extended wall protects lift covers from impact damage
- Brass inserts for maximum strength



#### Covers

- Impact resistant PBT material
- UL Type 3R seal on a panel or on a portable outlet box
- Stainless steel hinge and spring

### Pre-Assembled Portable Outlet Boxes (with Cord Connector Installed)

	Description	Cord Range Inches (mm)	Catalog Number
Boxes	Portable Outlet Box, Deep, Yellow	.38"-.50" (9.7-12.7)	<b>HBL3099</b>
	Portable Outlet Box, Deep, Feed Thru, Yellow	.38"-.50" (9.7-12.7)	<b>HBL3090F</b>
	Portable Outlet Box, Deep, Yellow with (2) duplex plates	.38"-.50" (9.7-12.7)	<b>HBL3000</b>



### Configurable Portable Outlet Boxes

	Empty Box Options	Catalog Number	Cord Range Inches (mm)	Cord Connector Options		Deluxe Cord Connectors
				Gray Nylon	Black Nylon	
Boxes	Outlet Box, Yellow	<b>HBL3080</b>	.38"-.50" (9.5-12.7)	<b>SHC1039CR</b>	—	—
	Outlet Box, Black	<b>HBL3080BK</b>	.50"-.63" (12.7-15.9)	<b>SHC1040CR</b>	<b>SHC2040CR</b>	<b>CG810NM</b>
	Feed Thru Box, Yellow	<b>HBL3080F</b>	.63"-.75" (15.9-19.0)	<b>SHC1041CR</b>	<b>SHC2041CR</b>	<b>074011341</b>
	Feed Thru Box, Black	<b>HBL3080FBK</b>	.75"-.88" (19.0-22.2)	<b>SHC1042CR</b>	<b>SHC2042CR</b>	<b>074011342</b>
			.88"-.1.00" (22.2-25.4)	<b>SHC1043CR</b>	<b>SHC2043CR</b>	<b>074011343</b>
			.59"-.1.00" (15.0-25.4)	<b>SEC100GA</b>	<b>SEC100BA</b>	—



### Covers for Portable Outlet Boxes and Panels

	Description	UL Type 3R	UL Type 1
Box Covers	Outlet box cover, duplex receptacle	<b>HBL3056</b>	<b>HBL3051</b>
	Outlet box cover, 1.39" diameter receptacle	<b>HBL3057</b>	<b>HBL3052</b>
	Outlet box cover, 1.572" diameter receptacle	<b>HBL3058</b>	<b>HBL3055</b>
	Outlet box cover; GFCI	<b>HBL3061</b>	<b>HBL3060</b>
	Outlet box coverplate, blank	<b>HBL3054</b>	—





**HBLPOB1**



**Cover Plates**



**Deluxe Cord Grips  
(purchased separately)**



**Gray Nylon  
Cord Connector**

## Heavy-Duty Portable Outlet Boxes and Cover Plates

Description	Catalog Number
Box with cord strain relief, with one blank cover plate.	<b>HBLPOB1</b>
Box with cord strain relief, with one blank cover plate, black.	<b>HBLPOB1BK</b>
Box with cord strain relief, with two duplex (indoor) cover plates.	<b>HBLPOB1D</b>
Box with cord strain relief, with two duplex (indoor), yellow cover plates.	<b>HBLPOB1DY</b>
Blank, non-metallic FS cover plate with foam gasket, gray.	<b>HBLP14FS</b>
Duplex, non-metallic FS cover plate, gray.	<b>HBLP8FS</b>
Duplex, non-metallic FS cover plate, yellow.	<b>HBLP8FSY</b>
Single receptacle (1.39"), non-metallic FS cover plate, gray.	<b>HBLP7FS</b>
Single receptacle (1.56"), non-metallic FS cover plate, gray.	<b>HBLP720FS</b>
Rectangular opening, non-metallic FS cover plate, gray.	<b>HBLP26FS</b>

## Other Cover Plates and Devices which may be used with Heavy-Duty Portable Outlet Boxes

Description	Catalog Number
Duplex cover plate, weatherproof.	<b>HBL5221, HBL52CM21</b>
Single receptacle (1.39") cover plate, weatherproof.	<b>HBL7423WO, HBL74CM23WO</b>
Single receptacle (1.56") cover plate, weatherproof.	<b>HBL7425WOA, HBL74CM25WOA</b>
Safety-Shroud Twist-Lock® surface receptacles.	<b>HBL2310SR, HBL2320SR, HBL2330SR, HBL2610SR, HBL2620SR</b>

Note: Standard product gray, CM yellow.

## Deluxe Cord Grips Straight Male Thread Nylon Fittings, Stainless Steel Mesh, Liquidtight, for Insulated Cables

Grip Diameter Range Inches (cm.)	Thread Size NPT (inches)	Form Size	Catalog Number
.375"-.500" (.95-1.27)	¾"	F3	<b>074011335</b>
.500"-.625" (1.27-1.59)	¾"	F3	<b>074011336</b>
.625"-.750" (1.59-1.90)	¾"	F3	<b>074011337</b>

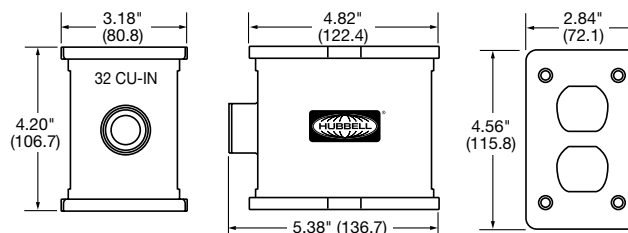
## Nylon Cord Connector Straight Male Thread

Grip Diameter Range Inches (cm.)	Thread Size NPT (inches)	Form Size	Catalog Number
.375"-.500" (.95-1.27)	¾"	F3	<b>SHC1035CR</b>
.500"-.625" (1.27-1.59)	¾"	F3	<b>SHC1036CR</b>
.625"-.750" (1.59-1.90)	¾"	F3	<b>SHC1037CR</b>

## Specifications for Heavy-Duty Portable Outlet Boxes and Cover Plates

UL Listed	UL 514C, UL467 and UL50 Enclosures Types 1, 3R.
CSA Certified	C22.2 No. 18 and C22.2 No. 94 Enclosures Types 1, 3R and C22.2 No. 0.4 (Impedance).
Box Specifications:	
Moisture Resistance	Wet and damp locations, Enclosure Type 3R when used with weatherproof cover plates. Dry, indoors locations, Enclosure Type 1 with all other cover plates.
Flammability	UL 94V-0, 94-5VA classification.
Operating Temperature	80°C maximum; -35°C minimum.
UV Resistance	All materials are UV stabilized.
Impact and Crush Resistance	in accordance with UL 514C, UL50, C22.2 No. 18 and C22.2 No. 94.
Material	Valox®.
Cord Connector Materials	Nylon nut; Nylon Gotcha® ring; Neoprene grommet.
Cord Diameter Range	.38" to .75" diameter.
Bonding Strap Material	Brass.
Threaded Inserts	Brass.
Grounding Screw Material	Brass.
Indoor Cover Plate Screws Material	Zinc Plated Steel.
Outdoor Cover Plate Screws Material	Stainless Steel.
Cover Plate Gasket Material	UL recognized closed-cell foam (aging and oil resistant).

## Dimensions



**HBLPOB1**

Dimensions in Inches (mm)

Valox® is a trademark of SABIC Innovative Plastics, acquired from General Electric Company.



## Plugs and Connectors Inches (mm)

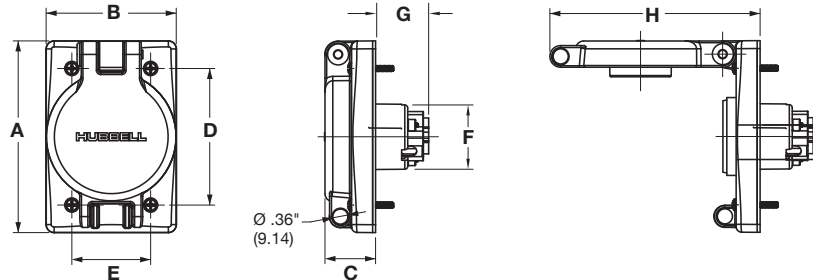
		15A & 20A Straight Blade	15A Non-NEMA Straight Blade	15A Twist-Lock®	20A Twist-Lock®	30A Twist-Lock®
Plugs	A	1.85 (47.07)	1.63 (41.40)	1.85 (47.07)	2.51 (63.70)	2.77 (70.41)
	B	3.16 (80.27)	2.68 (68.00)	3.21 (81.46)	3.96 (100.69)	3.94 (99.98)
Connectors	C	1.85 (47.07)	1.80 (46.00)	1.85 (47.07)	2.51 (63.70)	2.77 (70.41)
	D	4.42 (112.14)	4.00 (102.00)	4.62 (117.22)	5.69 (144.55)	5.67 (144.00)

Note: For HBL26W09 and HBL27W09 use 30A Twist-Lock® dimensions.



## Receptacles with Lift Covers Inches (mm)

	15A & 20A Straight Blade	15A Twist-Lock®	20A Twist-Lock®	20A Non-NEMA	30A Twist-Lock®	30A Non-NEMA
A	4.56" (115.9)	4.56" (115.9)	4.56" (115.9)	4.56" (115.9)	4.56" (115.9)	4.56" (115.9)
B	3.10" (78.7)	3.10" (78.7)	3.10" (78.7)	3.10" (78.7)	3.10" (78.7)	3.10" (78.7)
C	1.20" (30.6)	1.20" (30.6)	1.20" (30.6)	1.20" (30.6)	1.20" (30.6)	1.20" (30.6)
D	3.25" (82.6)	3.25" (82.6)	3.25" (82.6)	3.25" (82.6)	3.25" (82.6)	3.25" (82.6)
E	1.88" (47.6)	1.88" (47.6)	1.88" (47.6)	1.88" (47.6)	1.88" (47.6)	1.88" (47.6)
F	1.26" (32.0)	1.46" (37.1)	1.72" (43.7)	2.26" (57.4)	1.72" (43.7)	1.97" (50.0)
G	1.63" (41.4)	1.63" (41.4)	2.25" (57.2)	2.25" (57.2)	2.25" (57.2)	2.25" (57.2)
H	5.00" (127.0)	5.00" (127.0)	5.00" (127.0)	5.00" (127.0)	5.00" (127.0)	5.00" (127.0)



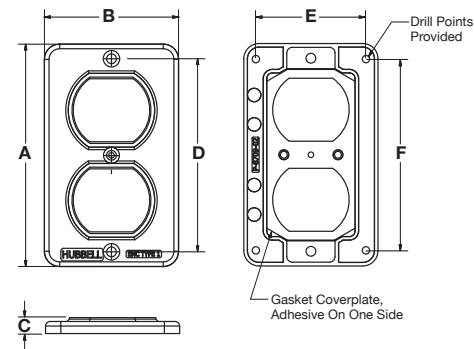
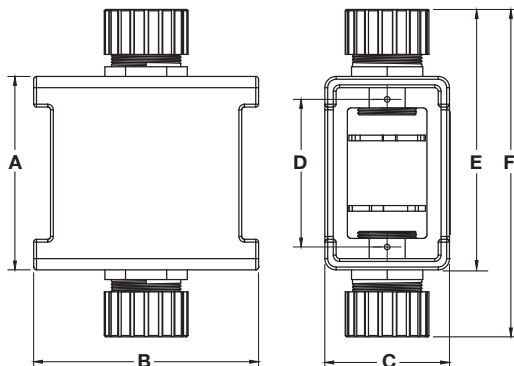
## Portable Outlet Boxes Inches (mm)

	Pre-Assembled	Configurable
A	4.30" (109.2)	4.30" (109.2)
B	5.00" (127.0)	5.00" (127.0)
C	2.77" (70.4)	2.77" (70.4)
D	3.28" (83.3)	3.28" (83.3)
E	5.79" (147.0)	—
F	7.28" (184.9)	—

## Box Covers Inches (mm)

A	3.78" (96.0)
B	2.28" (57.9)
C	0.27" (6.9)
D	3.28" (83.3)
E	1.87" (47.5)
F	3.25" (82.6)

Style shown is representative of all openings.



Dimensions in Inches (mm)



## Materials

### Plug/Connector

Part	Materials
Blade/Contact Carrier	Nylon, white
Terminal Retainer	Polycarbonate, clear
Housing	Thermoplastic elastomer
Housing Insert	Nylon, white
Strain Relief Nut	PBT thermoplastic, gray
Blades/Contacts	Brass, nickel plated
Terminal Screws	Brass
Terminal Screw Size	#8-32 15A/20A Straight Blade and 15A Twist-Lock; #10-32 20A and 30A Twist-Lock
Assembly Screws	Stainless Steel
Bushings	Thermoplastic elastomer, black
Gotcha Ring	Nylon
Cone Seal	Thermoplastic elastomer, black
Closure Cap	Thermoplastic elastomer

### Receptacle Assembly

Part	Materials
Base, Flip Lid, and Backplate	PBT
Seal Collar	Thermoplastic elastomer
Mounting Screws	Stainless Steel
Spring and Hinge Pin	Stainless Steel

### Portable Outlet Box and Accessories

Part	Materials
Box Enclosure	Thermoplastic elastomer
Strain Relief Nut	PBT
Grommet	Thermoplastic elastomer
Gotcha Ring	Nylon
Locknut	Steel, zinc plate
Threaded Inserts	Brass
Receptacle Screw	Stainless steel
Cover Plate	PBT
Cover Plate Seal	Neoprene
Cover Plate Spring	Stainless steel
Hinge Pin	Stainless steel
Hinge Bracket	Zinc plated steel
Rivets	Zinc plated steel

## Performance

### Electrical

Dielectric Voltage	
Connectors:	2000V AC if rated 300V or less; 3000V AC if rated above 300V
Plugs:	2500V AC if rated 300V or less; 3500V AC if rated above 300V
Max Working Voltage	As marked
Current Interrupting	Rated for current interruption per UL498
Temperature Rise	30°C max per UL498 at rated current

### Mechanical

Cord and terminal accommodations:

#### Plugs and Connectors

15 and 20A Straight Blade and 15A Locking	16/3 SJ to 10/3 SJ, 18/3 S to 12/3 S, (Ø.325" to Ø625") (Ø8.3mm to Ø15.9 mm)
20A Locking Except HBL26W09 & HBL27W09	Min. Cord: 16/3 SJ, 18/3 S, 18/4 SJ, 18/4 S, 18/5 S, (Ø.325") (Ø8.3 mm) Max. Cord: 10/3 S, 10/4 S, 10/5 S (.875") (22.2 mm)
30A Locking Including HBL26W09 & HBL27W09	Min Cords: 12/3 SJ, 16/3 S, 14/4 SJ, 18/4 S, 18/5 S, (Ø.375") (Ø9.5 mm) Max Cord: 8/3 S, 8/4 S, 10/5 S (1.125") (28.6 mm)

Receptacles – use solid or stranded building wire or flexible cord only as outlined below:

All Straight Blade	18 AWG to 10 AWG
15A Locking	18 AWG to 10 AWG
20A and 30A Locking	18 AWG to 8 AWG

#### Portable Outlet Boxes

Cord Range	.38" to .68" (HBL3099, HBL3090F, HBL3000) and .38" to 1.00" with user-specified cord connector
Wiring Volume	19.0 in <sup>3</sup>

### Environmental

Moisture Resistance	UL Listed to 3R, 3RX, 4, 4X, 6, 6P, 12 (Plugs and connectors); 3R, 3RX, 4, 4X (Receptacles); Wet and Damp Locations (Portable outlet boxes); Covers (POB) UL Type 3R and Wet Locations cover closed
Flammability	UL94V0 (boxes, covers, and plates); UL94V2 (Plugs, connectors, and interiors); UL94HB (Caps, bushings, and cone seals) -40°C (without impact) to +60°C continuous
Operating Temperatures	All exposed materials are UV stabilized
UV Resistance	

## Specifications

Listings (Plug/Connector and Flip Lid Assembly)

Listed to UL498  
 Certified to CSA C22.2 No. 42  
 Meets NEMA WD-1, WD-6, and ANSI standards  
 IP66 Suitability  
 NSF Certified (Plugs, Connectors and Receptacles)

### FD Box/Adapter

Part	Materials
Box Enclosure	PBT
Ground Bracket	316 Stainless Steel
Ground Screw	Brass
Angle Adapter	PBT

### Environmental

Box	UL Type 4X (with UL Type 4X receptacle assembly) UL Type 3R (with weatherproof cover plate)
-----	--