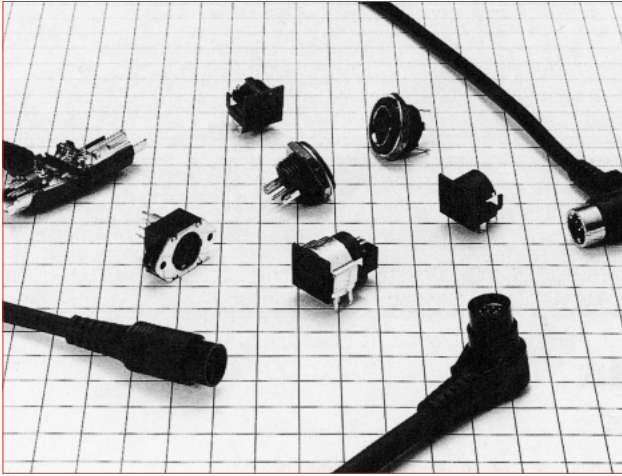


High Performance Miniature Circular Connectors

HR12 Series



■ Features

- Snap lock allows for easy insertion and extraction and prevents the accidental un-mating of the connector due to vibration or impact.
- The plug diameter range from $\phi 12\text{mm}$ to $\phi 16\text{mm}$, and satisfies the need for small-size, light-weight and high-density electronic components.
- Equipped with internal metal parts and a shielding mechanism, the HR12 (20-contacts) and HR212 feature enhanced protection against EMI.

■ Product Specifications

Ratings	Rated voltage	Rated current	Operating temperature range	Storage temperature range
	100V AC, 140V DC	1A	-15°C to +60°C	-10°C to +60°C

Items	Specifications	Conditions
1. Contact resistance	30m Ω max. (excluding the cable conductor resistance)	Measured at DC 1mA
2. Insulation resistance	100M Ω min.	Measured at DC 250V
3. Withstanding voltage	No flashover or dielectric breakdown.	AC 300V for 1 minute
4. Vibration resistance	No electrical discontinuity for 10 μ s or greater.	10 to 55Hz/cycle, amplitude : 0.75mm, 3 axis directions, 2 hours each
5. Shock resistance	No electrical discontinuity for 10 μ s or greater.	Acceleration : 490m/s ² , duration : 11ms, 3 axis directions, 3 cycles each
6. Mating Cycles	30m Ω max. of contact resistance (excluding the cable conductor resistance)	1,000 times
7. Temperature cycle	Insulation resistance : a minimum of 100M Ω	-25°C : 30 minutes → Normal temperature : 10 to 15 minutes → 70°C : 30 minutes → Normal temperature : 10 to 15 minutes, left for 5 cycles
8. Moisture resistance	Insulation resistance : 1M Ω min. (at high humidity) 10M Ω min. (when dry)	Temperature : 40°C, relative humidity : 90 to 95%, left for 96 hours

■ Material / Finish

Part	Material	Finish
Insulator	Soft vinylchloride (UL94-0) and Polypropylene (UL94V-0) PBT resin (UL94V-0) and Polycarbonate (UL94V-1)	—
	Brass, and Zinc alloy	Tin plated and Nickel plated
Contacts	Copper alloy or phosphor bronze	Tin plated or selective gold plated and silver plated

■ Product Number Structure

Refer to the chart below when determining the product specifications from the product number.
Please select from the product numbers listed in this catalog when placing orders.

● Cable Plug

HR12 A - 10 L A A 8 P C A 300 A ()**

① ② ③ ④ ⑤ ⑥ ⑦ ⑧ ⑨ ⑩ ⑪ ⑫ ⑬ ⑭

● Plug (Assembly type) and Receptacle

HR12 - 10 R C - 8 SDL ()**

① ③ ④ ⑥ ⑦ ⑧ ⑭

● Attachment

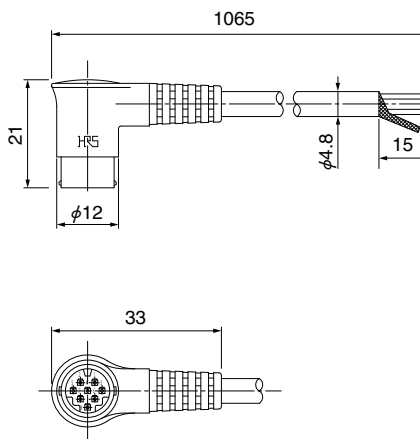
HR12 - 10 R - SP ()**

① ③ ④ ⑬ ⑭

① Model : Series name. HR212 is a enhanced shielding type.
② Indication of terminal connector provided or not : For models with connectors on both sides, different signs are used depending on the type of connector on one side.
③ Shell size : Indicates the outside diameter of the plug mating part.
④ Connector form : P : Straight plug LP or L : Right angle R : Receptacle
⑤ Cable removal directions for a right angle plug are classified as follows : A : The cable removal direction is on the right with the guide facing upward viewed from the mating part. B : The cable removal direction is on the left with the guide facing upward viewed from the mating part.
⑥ Types of connector : A connector with two or more varieties is classified by A, B, C,.....
⑦ Number of contacts
⑧ Contact form : Classifies the type of contacts as follows : The plug has only male contacts, and the receptacle has only female contacts. P : Male contact PC : Crimp male contact (assembly type plug) SC : Crimp female contact SD : Straight dip female contact SDL : Right angle dip female contact
⑨ Shape of cable : C : Curled cord S : Straight cord
⑩ Type of cable : Cables connected to the plug are identified by A, B, C,..... when they are different in construction and number of cores.
⑪ Cable length : indicates the length in mm of the cable connected to the plug. Curled cord length : Length of curled part Straight cable length : Cable length
⑫ Shape of cable end : Plugs with cables of the same shape but different in cable end dimensions and finishing are identified by A, B, C,.....
⑬ Types of accessories : SP : Stopper plate
⑭ Other specifications : A two-digit character is added to indicate other specifications as needed.

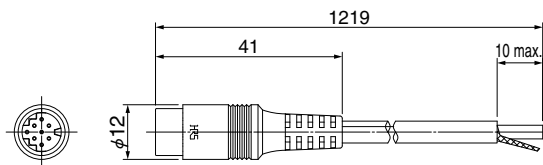
HR12 Type

Right Angle Plug



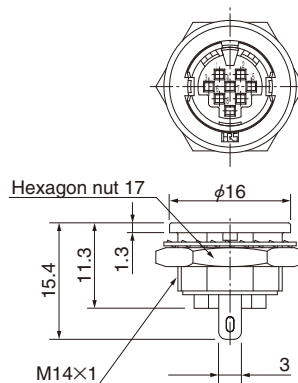
Part No.	HRS No.	No. of contacts	No. of conductors of cable	Remarks
HR12-10LA8PS1065(71)	112-3040-0 71	8	8-conductor (Shielded)	Color : Black Terminal : Tin plated

Straight Plug



Part No.	HRS No.	No. of contacts	No. of conductors of cable	Remarks
HR12-10P8PS1219(71)	112-0136-0 71	8	8-conductor (Shielded)	Color : Black Terminal : Tin plated

Receptacle (Crimp Type)

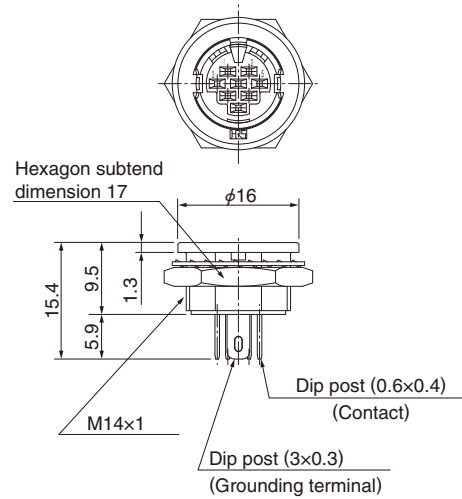


(Representative example)

Part No.	HRS No.	No. of contacts
HR12-10R-5SC(71)	112-0501-4 71	5
HR12-10R-8SC(71)	112-0504-2 71	8

Remarks : For the mounting holes, see page 4.

Receptacle (Straight Dip Type)

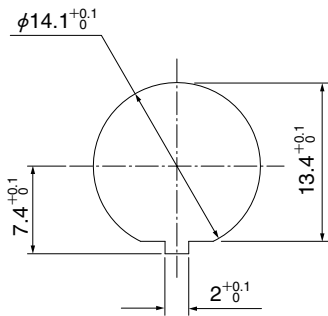


(Representative example)

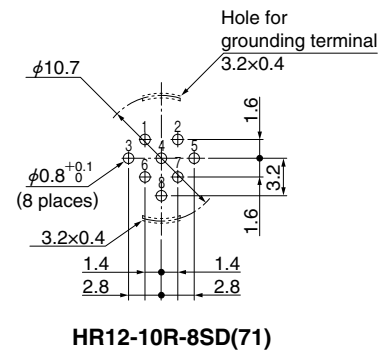
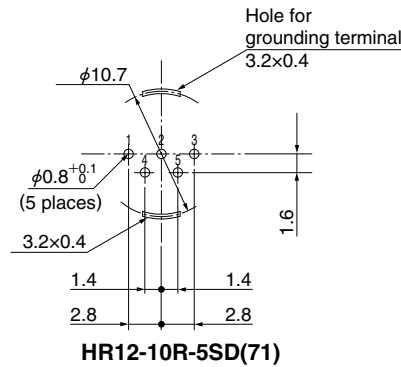
Part No.	HRS No.	No. of contacts	Remarks
HR12-10R-5SD(71)	112-0502-7 71	5	Color : Black
HR12-10R-8SD(71)	112-0505-5 71	8	Terminal : Tin plated

Remarks : Refer to following diagram for panel mounting dimensions and dip post arrangement dimensions.

Panel mounting dimensions
 (Panel thickness 1 to 4.7)

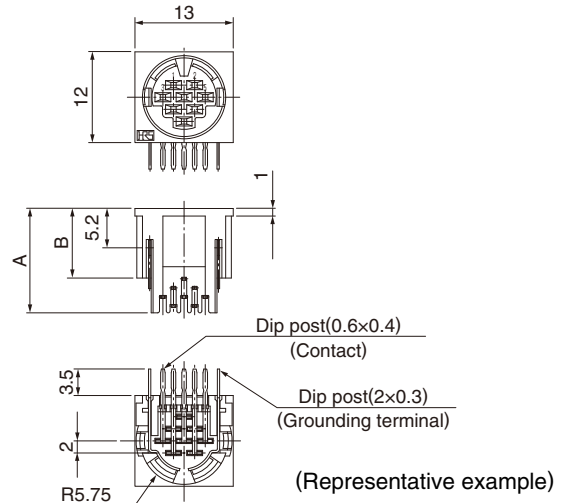


Receptacle Dip Post



Remarks : Dimensional tolerance of $\pm 0.05\text{mm}$ is recommended for the board arrangement.

Receptacle(Right Angle Dip)



(Note)

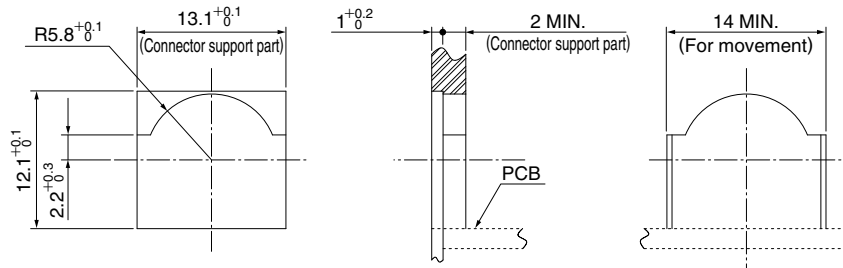
This product should be mounted on the panel to hold with the interface portion, as shown in the panel mounting hole dimension diagram.

When it is difficult to press the connector into the panel, we recommend using the attached stopper plate HR12-10R-SP(71) (112-0507-0 71) as described on page 7.

Part No.	HRS No.	No. of contacts	A	B	Remarks
HR12-10R-8SDL(71)	112-0506-8 71	8	13.8	9.3	Color : Black Terminal : Tin plated
HR12-10RC-8SDL(71)	112-0514-6 71				Equipped with stopper plate Color : Black Terminal : Tin plated

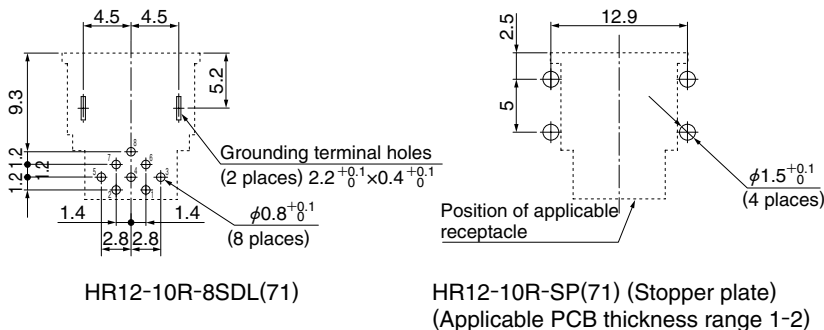
Remarks : For dip post arrangement see below figure.

Panel mounting dimensions



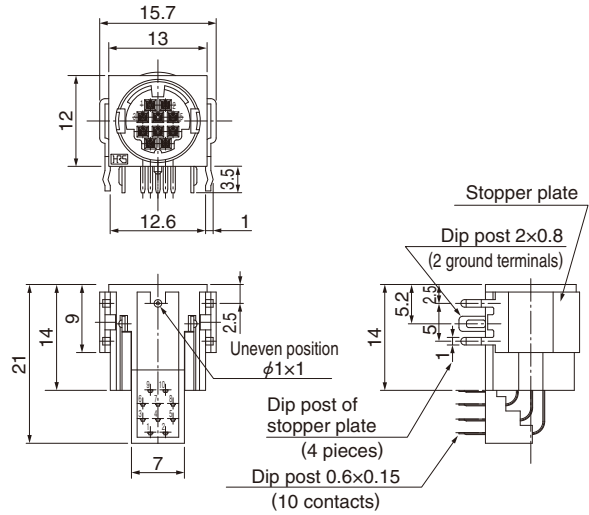
Note : Pay attention that this dimension is not available for 10 contacts.

Receptacle dip post arrangement



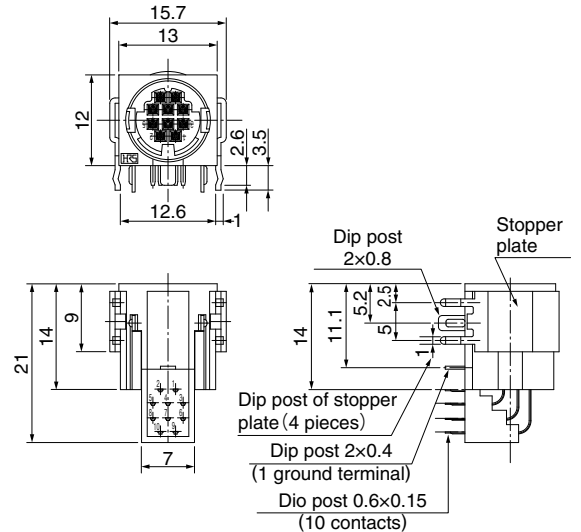
Remarks : Dimensional tolerance of $\pm 0.05\text{mm}$ is recommended for the board arrangement.

■ Receptacle (Right Angle Dip)



Part No.	HRS No.	No. of contacts	Remarks
HR12-10RC-10SDL(73)	112-0511-8 73	10	Equipped with stopper plate Color : Black Terminal : Gold plated

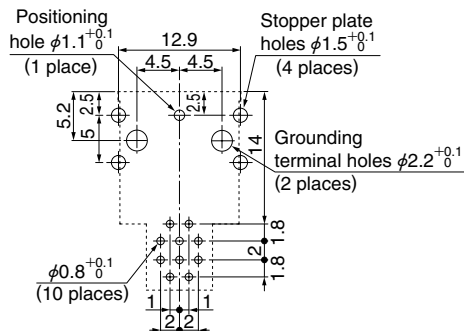
Remarks : For dip post arrangement see below figure.



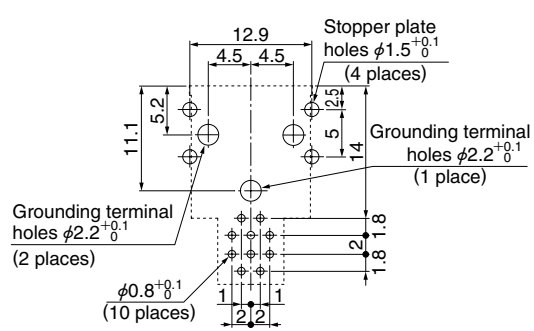
Part No.	HRS No.	No. of contacts	Remarks
HR12-10RD-10SDL(71)	112-0512-0 71	10	Equipped with stopper plate Color : Black Terminal : Gold plated

Remarks : For dip post arrangement see below figure.

◆ Receptacle dip post arrangement



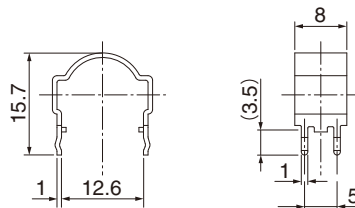
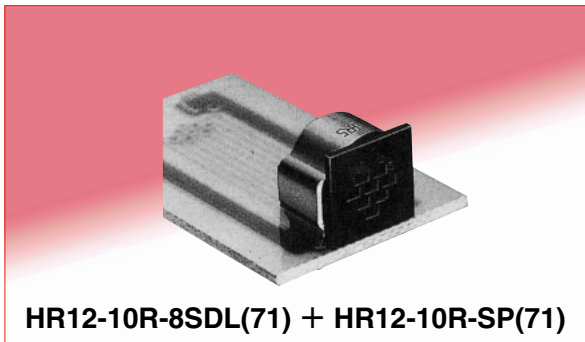
HR12-10RC-10SDL(73)



HR12-10RD-10SDL(71)

Remarks : Dimensional tolerance of $\pm 0.05\text{mm}$ is recommended for the board arrangement.

■ Stopper Plate



Part No.	HRS No.	Applicable connector	Applicable PCB thickness
HR12-10R-SP(71)	112-0507-0 71	HR12-10R-*SDL	t : 1 to 2

Remarks : 1. The *mark shows the number of pins.
 2. For dip post arrangement, see page 5.

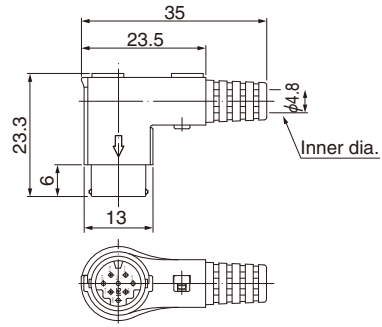
Jun. 1. 2025 Copyright 2025 HIROSE ELECTRIC CO., LTD. All Rights Reserved.

Right Angle Plug (Assembly Type)

Solder Type



HR212-10LP-8P(43)



Part No.	HRS No.	No. of contacts	Remarks
HR212-10LP-8P(43)	112-4002-6 43	8	Color : Black Terminal : Selective gold plated

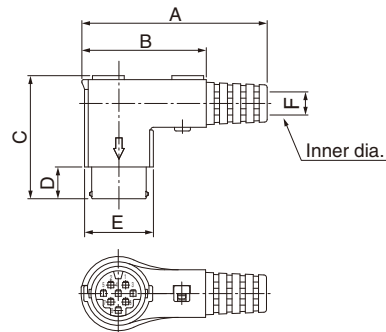
Remarks : Cable can be taken-out only in direction A.

Note : Because the cable clamping and rotational forces may vary with different cable types, it is recommended to verify the suitability of the cable assembly before use or production.

Crimp Type



HR212-10LP-8PC(71)



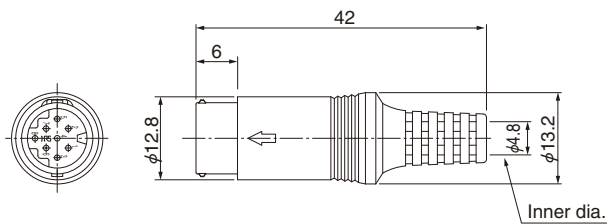
Part No.	HRS No.	No. of contacts	A	B	C	D	E	F	Remarks
HR212-10LP-8PC(71)	112-4101-8 71	8	35	23.5	23.3	6	13	φ4.8	Color : Black
HR212-14LP-20PC	112-1011-0	20	49	30.5	29	9	15.7	φ6	

Remarks : Cable can be taken-out only in direction A.

Note : Because the cable clamping and rotational forces may vary with different cable types, it is recommended to verify the suitability of the cable assembly before use or production.

Straight Plug (Assembly Type)

Solder Type

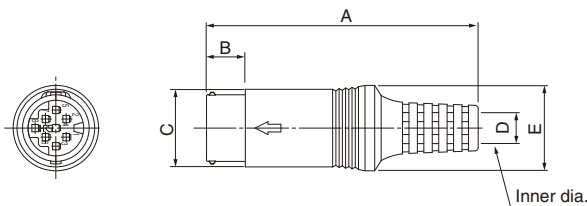


(Representative example)

Part No.	HRS No.	No. of contacts	Remarks
HR212-10P-8P(41)	112-4001-3 41	8	Color : Black Terminal : Tin plated
HR212-10P-8P(43)	112-4001-3 43		Color : Black Terminal : Selective gold plated

Note : Because the cable clamping and rotational forces may vary with different cable types, it is recommended to verify the suitability of the cable assembly before use or production.

Crimp Type

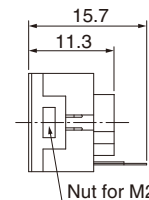
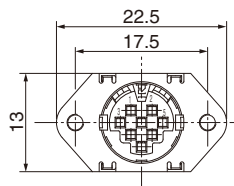


(Representative example)

Part No.	HRS No.	No. of contacts	A	B	C	D	E	Remarks
HR212-10P-8PC(71)	112-4051-1 71	8	42	6	φ12.8	φ4.8	φ13.2	Color : Black
HR212-10P-10PC(71)	112-4052-4 71	10						Color : Black
HR212-14P-20PC	112-1112-0	20						55

Note : Because the cable clamping and rotational forces may vary with different cable types, it is recommended to verify the suitability of the cable assembly before use or production.

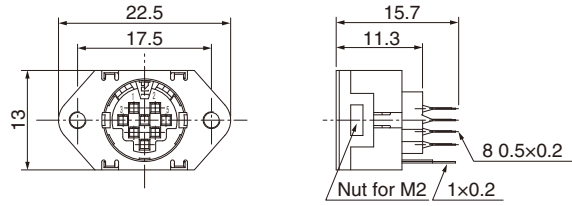
Receptacle (Crimp Type)



(Representative example)

Part No.	HRS No.	No. of contacts	Remarks
HR212-10R-8SC(71)	112-2001-2 71	8	Color : Black

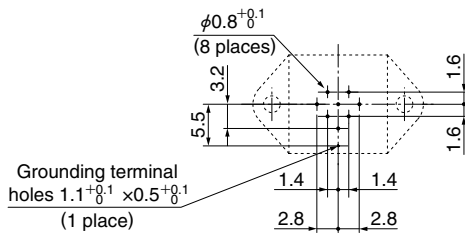
■ Receptacle (Straight Dip Type)



Part No.	HRS No.	No. of contacts	Remarks
HR212-10R-8SD(73)	112-2002-5 73	8	Color : Black Terminal : Tin plated

Remarks : For dip post arrangement, see below figure.

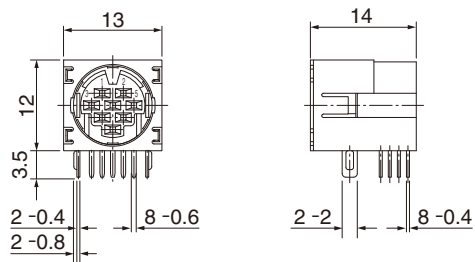
◆ Receptacle Dip Post Layout



HR212-10R-8SD

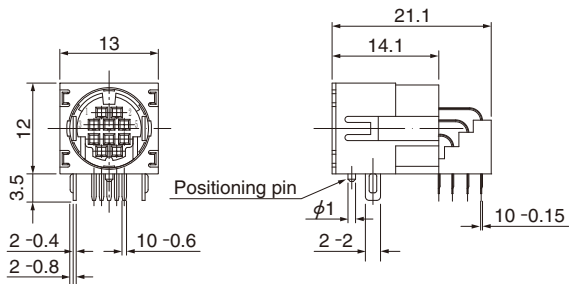
Remarks : Dimensional tolerance of $\pm 0.05\text{mm}$ is recommended for the board arrangement.

Receptacle (Right Angle Dip Type)



Part No.	HRS No.	No. of contacts	Remarks
HR212-10RA-8SDL(74)	112-2004-0 74	8	Color : Black Terminal : Tin plated
HR212-10RA-8SDL(73)	112-2004-0 73		Color : Black Terminal : Selective gold plated

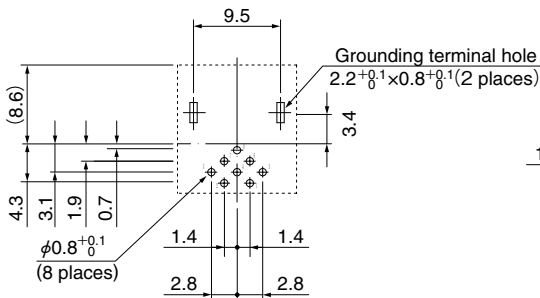
Remarks : For dip post arrangement, see below figure.



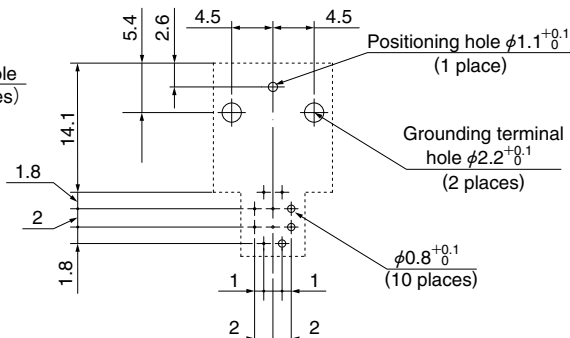
Part No.	HRS No.	No. of contacts	Remarks
HR212-10RC-10SDL(74)	112-2009-4 74	10	Color : Black Terminal : Selective gold plated

Remarks : For dip post arrangement, see below figure.

Receptacle Dip Post Layout



HR212-10RA-8SDL



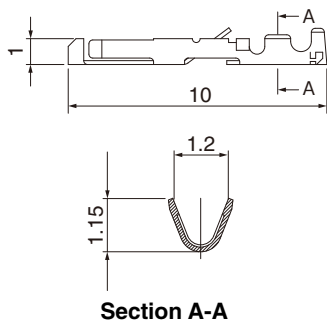
HR212-10RC-10SDL

Remarks : Dimensional tolerance of ±0.05mm is recommended for the board arrangement.

Jun. 1. 2025 Copyright 2025 HIROSE ELECTRIC CO., LTD. All Rights Reserved.

◆ Contact

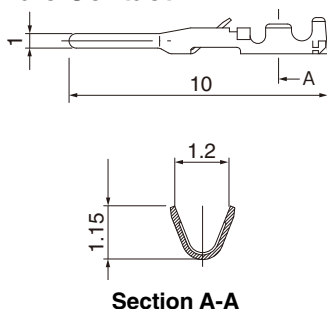
● Female Contact



Type	Part No.	HRS No.	Plated	Applicable wire
Loose contacts	HR12-SC-111	112-0410-0	Selective gold plated	26 to 30 AWG
	HR12-SC-112	112-0411-3	Silver plated	
	HR12-SC-113	112-0412-6	Tin plated	
Reel contacts	HR12-SC-211	112-0407-6	Selective gold plated	
	HR12-SC-212	112-0408-9	Silver plated	
	HR12-SC-213	112-0409-1	Tin plated	

Note 1. Use cables with cable covering outer dia. ϕ 1mm or less.
 2. Loose piece contacts are packaged 100 pcs/pack.
 Reel contacts are packaged 10,000 pcs/reel.

● Male Contact



Type	Part No.	HRS No.	Plated	Applicable wire
Loose contacts	HR10-PC-111	110-0515-6	Selective gold plated	26 to 30 AWG
	HR10-PC-112	110-0513-0	Silver plated	
	HR10-PC-113(71)	110-0519-7 71	Tin plated	
Reel contacts	HR10-PC-211	110-0516-9	Selective gold plated	
	HR10-PC-212	110-0514-3	Silver plated	
	HR10-PC-213(71)	110-0520-6 71	Tin plated	

Note 1. Use cables with cable covering outer dia. ϕ 1mm or less.
 2. Loose piece contacts are packaged 100 pcs/pack.
 Reel contacts are packaged 10,000 pcs/reel.

◆ Applicable tools

Type	Item	Part No.	HRS No.	Applicable terminal	Applicable wire	
Manual	Manual crimping tool	HR12-SC-TC	150-0052-9	HR10-PC- 111	26 to 30 AWG	
				HR12-SC- 112		
Automatic	Automatic crimping machine body	CM-105C	901-0001-0	—————		—————
	Applicator	AP105-HR12-1	901-2015-9	HR10-PC- 211 HR12-SC- 212 213		26 to 30AWG
Extraction tool	HR12-SC-TP	150-0050-3	150-0050-3	HR12-SC- 111 112 113 211 212 213	—————	
				RP6-SC-TP	150-0039-0	HR10-PC- 111 113(71) 211 213(71)



(HR12-SC-TC)
Hand Crimp Tool



(HR12-SC-TP) (RP6-SC-TP)
Extraction Tool

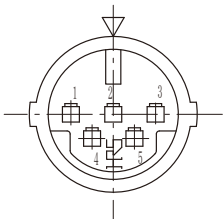
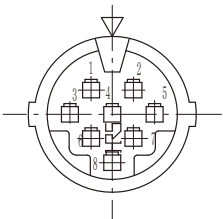
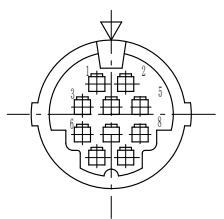


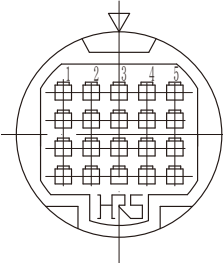
Auto Crimp Tool
CM-105C

◆ Assembly Procedure

Please refer to "Plug Assembly Instructions".

◆ Terminal Arrangement and performance

Shell size	10 sizes		
Terminal arrangement			
No. of contacts	5	8	10
Withstand voltage	300V AC for 1 minute		
Rated current	1A		
Insulation resistance	200MΩ or more at 250V DC		
Contact resistance	30mΩ or less (excluding cable conductor resistance)		

Shell size	14 sizes
Terminal arrangement	
No. of contacts	20
Withstand voltage	300V AC for 1 minute
Rated current	1A
Insulation resistance	200mΩ or more at 250V DC
Contact resistance	30mΩ or less (excluding cable conductor resistance)

Remarks : 1. The above figures show the receptacle pin inserts as viewed from the mating side.
 2. Withstand voltage shows the testing voltage.
 3. Contact resistance is as measured at 1A DC.

◆ Precautions

This product series uses silver plated contacts. Silver reacts easily to exposure to sulfur gas so the below conditions may cause tarnishing.

- Dusty environments
- Area with a high concentration area of gases such as sulfur dioxide gas, hydrogen sulfide gas, nitrogen dioxide gas and so on.
 Example; In close proximity to factory exhaust, automotive emissions, etc.
- Close to heaters, or in other areas marked by extreme temperature differences or high humidity.
- Close to rubber products includes rubber adhesives.

The Electrical connection is not affected by tarnishing on a silver surface due to the wiping effect of the contact pins.

Storage

Packing state ; Packed in original packing or equivalent container

Temperature -10 to +60°C

Humidity 85% Max

(It is recommended that the product be stored in an area of normal level of temperature and humidity, and free of any temperature fluctuation)

Please use this products within 6 months of delivery.

(After 6 month, please check the solderbility before use)

“Storage” means long-term storage of the unused products in sealed packaging, prior to assembly to PCB.

