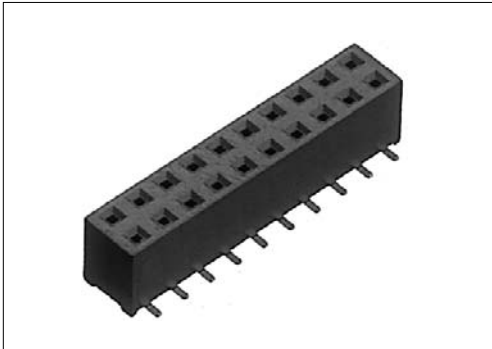


Straight SMT type female connector for PCBs
LPC-()FY()

For PCBs

Straight SMT

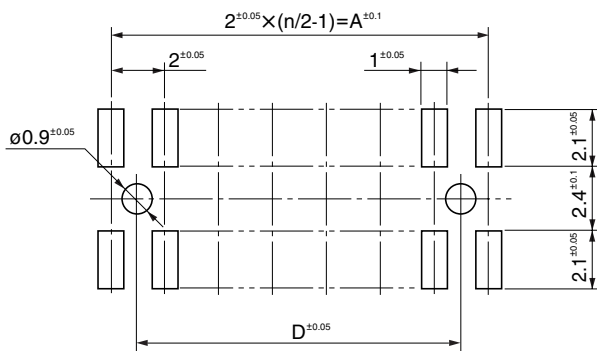
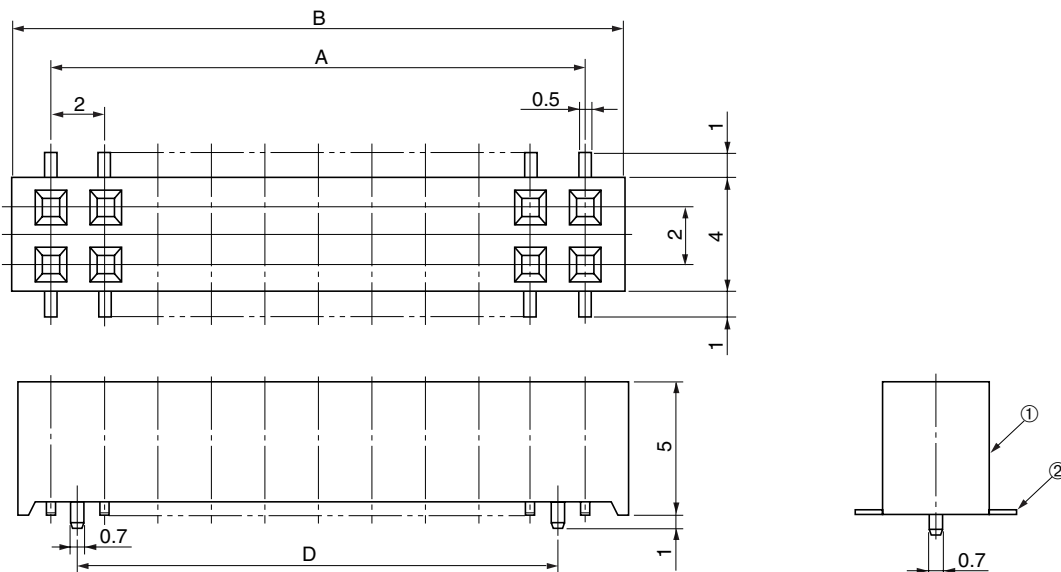


● Configuration of product Part No.

LPC- () FY()

① ② ③

- ① Series name
- ② No. of contacts: 6-22
- ③ Contact plating
Blank: Tin/Lead plating
G : Contact area gold plating



Recommended PCB layout

Note: A locating boss is incorporated.

● Components

①	Insulator
②	Contacts

Because some combinations of "Configurations of Product Part No.", are under consideration for development, please contact us for availability details.

● Dimensions

Part No.	A	B	D	n
LPC-6FY()	4	6.6	2	6
LPC-8FY()	6	8.6	4	8
LPC-10FY()	8	10.6	6	10
LPC-12FY()	10	12.6	8	12
LPC-14FY()	12	14.6	10	14
LPC-16FY()	14	16.6	12	16
LPC-18FY()	16	18.6	14	18
LPC-20FY()	18	20.6	16	20
LPC-22FY()	20	22.6	18	22

Mating connectors: LPC series of male connectors