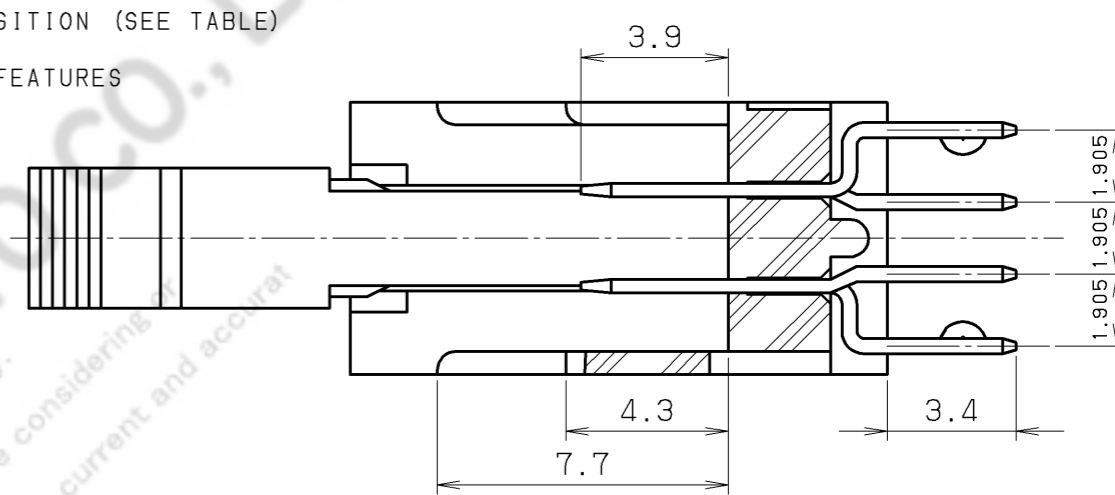


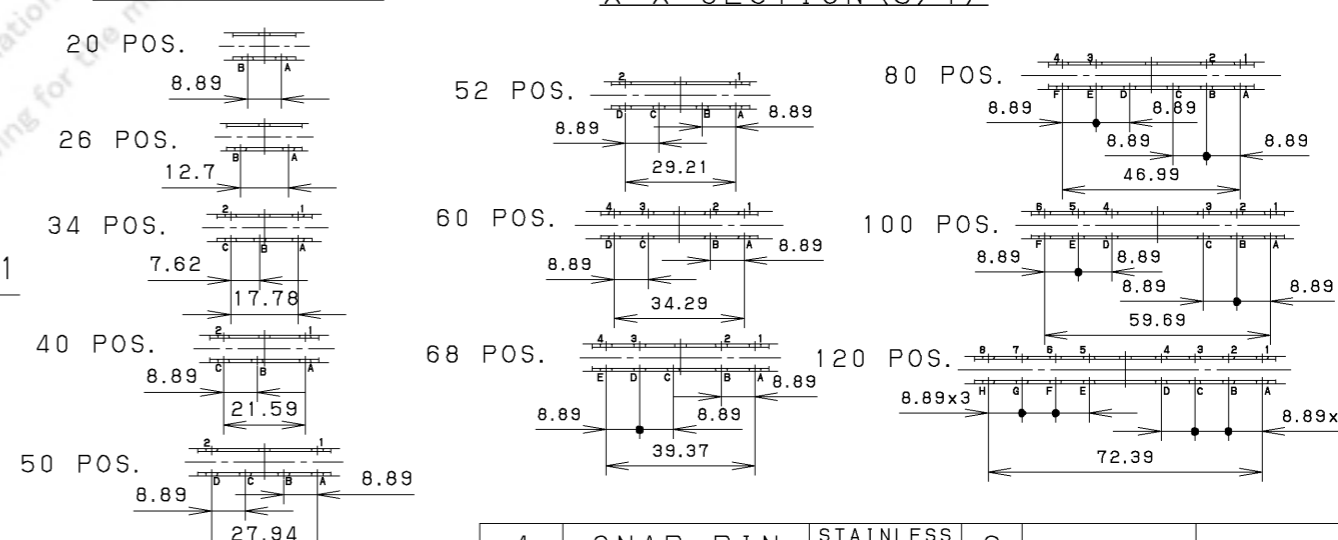
NOTE
 1. CONTACT PLATING
 CONTACT AREA: GOLD 0.2 μ m
 TERMINAL AREA: GOLD 0.05 μ m
 ALL OVER NICKEL 1 μ m
 UNDERPLATED

2. PART NO.
 RPS- () RM- () +
 No. OF POS.
 OPEN KEYING POSITION (SEE TABLE)
 RPS- () RM+ : WITH ALL KEYING FEATURES

No. OF CONTACT	PART No.	A	B	C	D	STANDARD OPEN KEYING POSITION
20	RPS-20RM- () +	30.4	18.77	1.27x9=11.43	16.17	A, B, AB
26	RPS-26RM- () +	34.2	22.58	1.27x12=15.24	19.98	A, B, AB
34	RPS-34RM- () +	39.3	27.66	1.27x16=20.32	25.06	1C, 2A, AC
40	RPS-40RM- () +	43.1	31.47	1.27x19=24.13	28.87	1C, 2A, AC
50	RPS-50RM- () +	49.5	37.82	1.27x24=30.48	35.22	1D, 2A, AD
52	RPS-52RM- () +	50.7	39.09	1.27x25=31.75	36.49	1D, 2A, AD
60	RPS-60RM- () +	55.8	44.17	1.27x29=36.83	41.57	1D, 4A, AD
68	RPS-68RM- () +	60.9	49.25	1.27x33=41.91	46.65	1E, 4A, AE
80	RPS-80RM- () +	68.5	56.87	1.27x39=49.53	54.27	1F, 4A, AF
100	RPS-100RM- () +	81.2	69.57	1.27x49=62.23	66.97	1F, 6A, AF
120	RPS-120RM- () +	93.9	82.27	1.27x59=74.93	79.67	1H, 8A, AH



KEY POS. DIM.



3	SNAP PIN	STAINLESS STEEL	2		
3	LOCKING DEVICE	PBT RESIN (GF)	2		UL94V-0 BLACK COLOR
2	INSULATOR	PBT RESIN (GF)	1		UL94V-0 BLACK COLOR
1	PIN CONTACT	PHOSPHOR BRONZE	n	SEE NOTE #1	

改版 LTR.	年月日 DATE	変更者 BY	変更内容 REV. DESCRIPT	番号 No.	部品名称 PART NAME	材質 MATERIAL	個数 QTY	処理 FINISH	備考 NOTE
	Mar. 31(2004)								
製 DR.	設 DE.	計 CHK.	検 CHK.	承 APP.	本多通信工業株式会社 HONDA TSUSHIN KOGYO CO., LTD.				
Y. OHKI	Y. OHKI	T. SOGO	K. HOMMA	S. FURUSAWA	名称 NAME	RPS TYPE STRAIGHT MALE CONNECTOR (RoHS)			
					製番 PART NO.	RPS- () RM- () +			REV