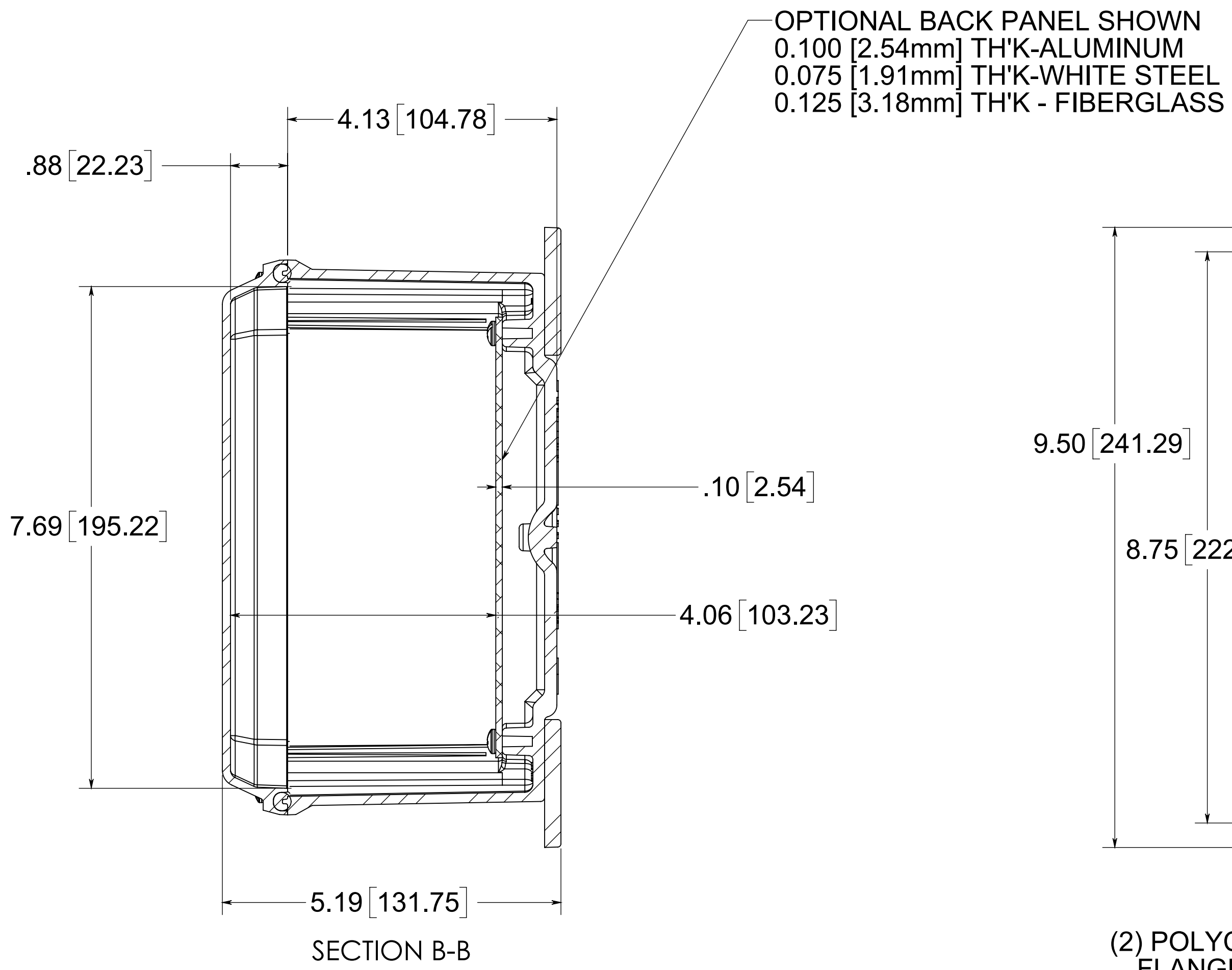
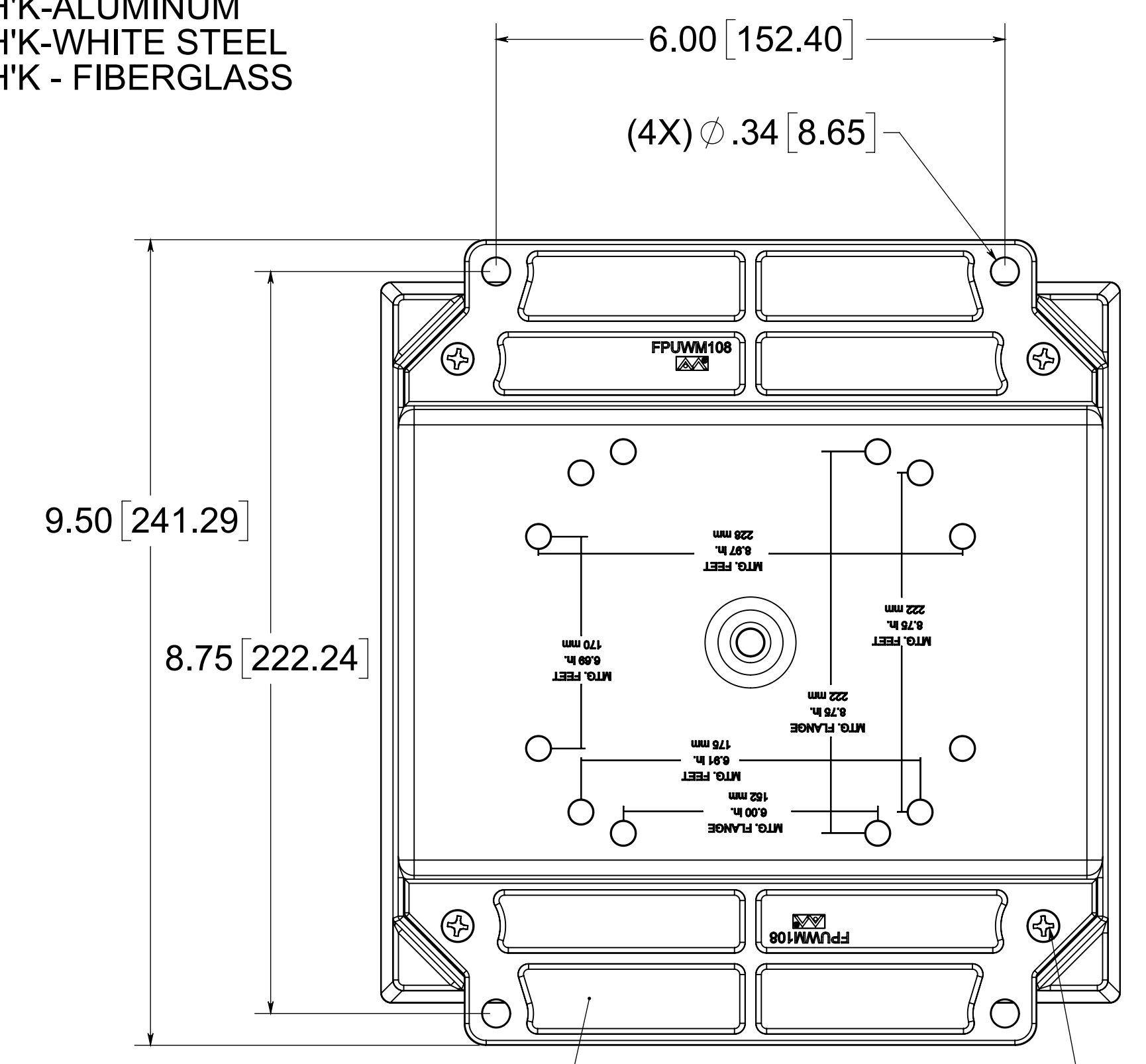


(4) EACH #10-32 BRASS INSERTS AND 316 STAINLESS STEEL CAPTIVE COVER SCREWS



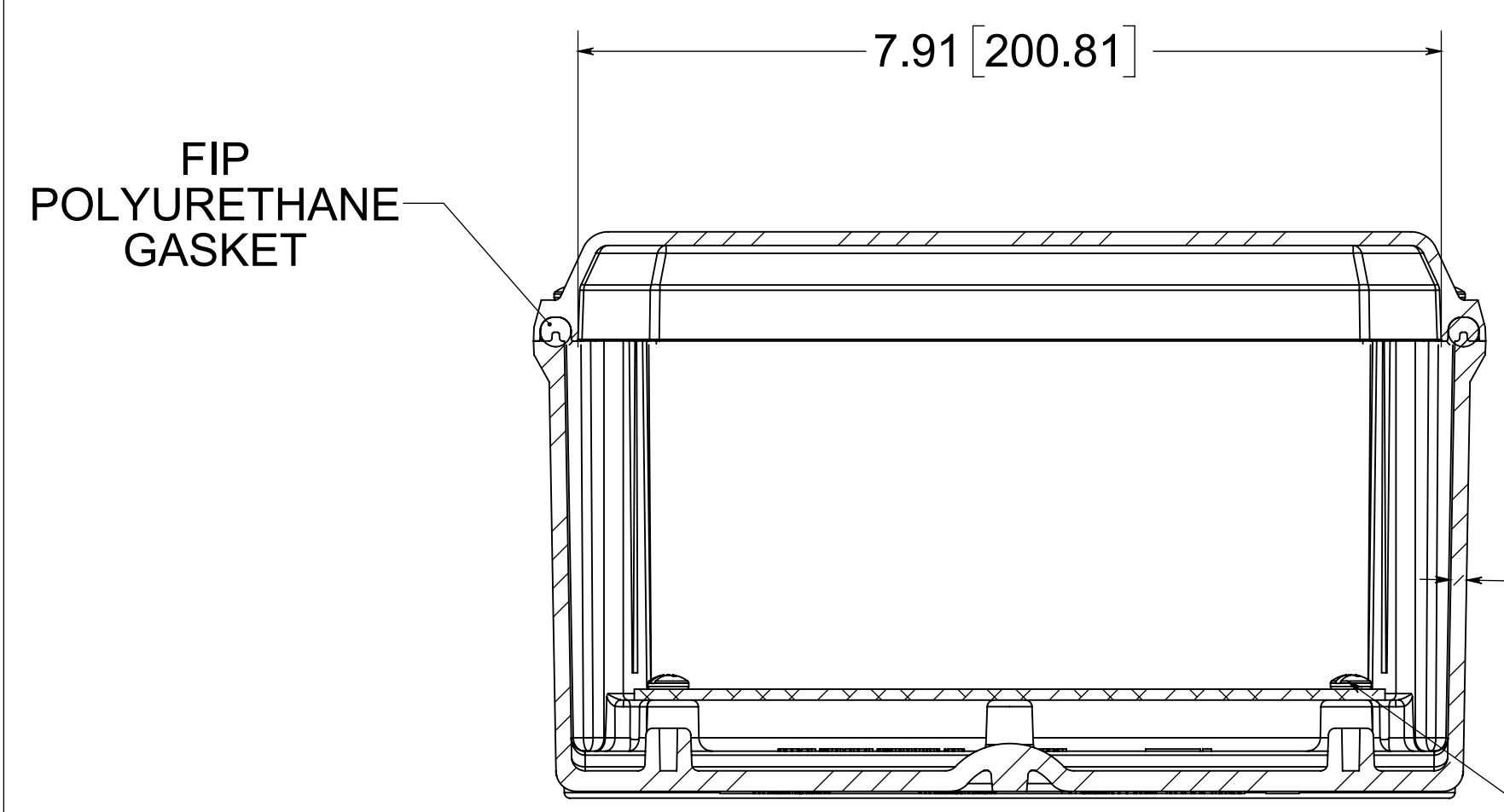
SECTION B-B

OPTIONAL BACK PANEL SHOWN
 0.100 [2.54mm] TH'K-ALUMINUM
 0.075 [1.91mm] TH'K-WHITE STEEL
 0.125 [3.18mm] TH'K - FIBERGLASS



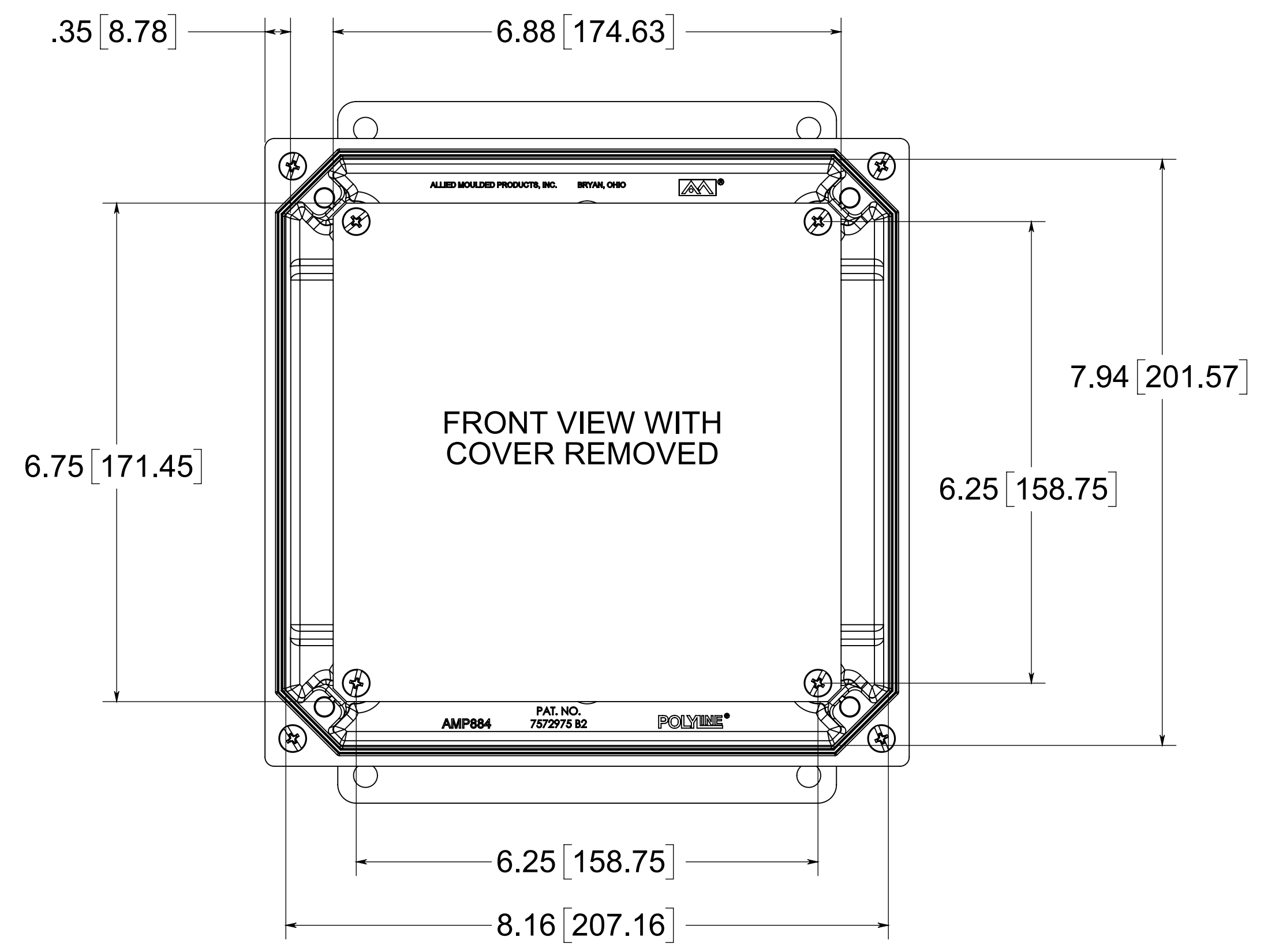
(2) POLYCARBONATE FLANGE (GLUED)

(4) EACH #10-32 BRASS INSERTS, AND 316 STAINLESS STEEL FLANGE AND FEET SCREWS



SECTION A-A

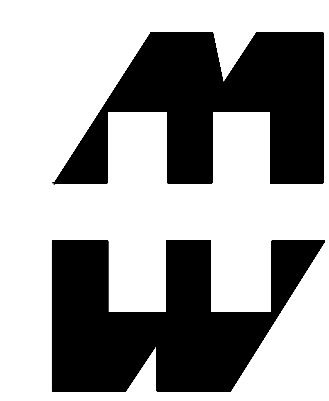
(4) EACH #10-32 BRASS INSERTS AND PLATED CARBON STEEL TRUSS SCREW



FRONT VIEW WITH COVER REMOVED

MATERIAL:
 BOX - INJECTED POLYCARBONATE
 STANDARD COVER - INJECTED POLYCARBONATE
 CLEAR COVER - INJECTED POLYCARBONATE

NOTE:
 1. DATA SUBJECT TO CHANGE



PART No. PCJ884F.WEB

for more information visit
www.hammfg.com
 Data subject to change without notice
 Drawing Not to Scale