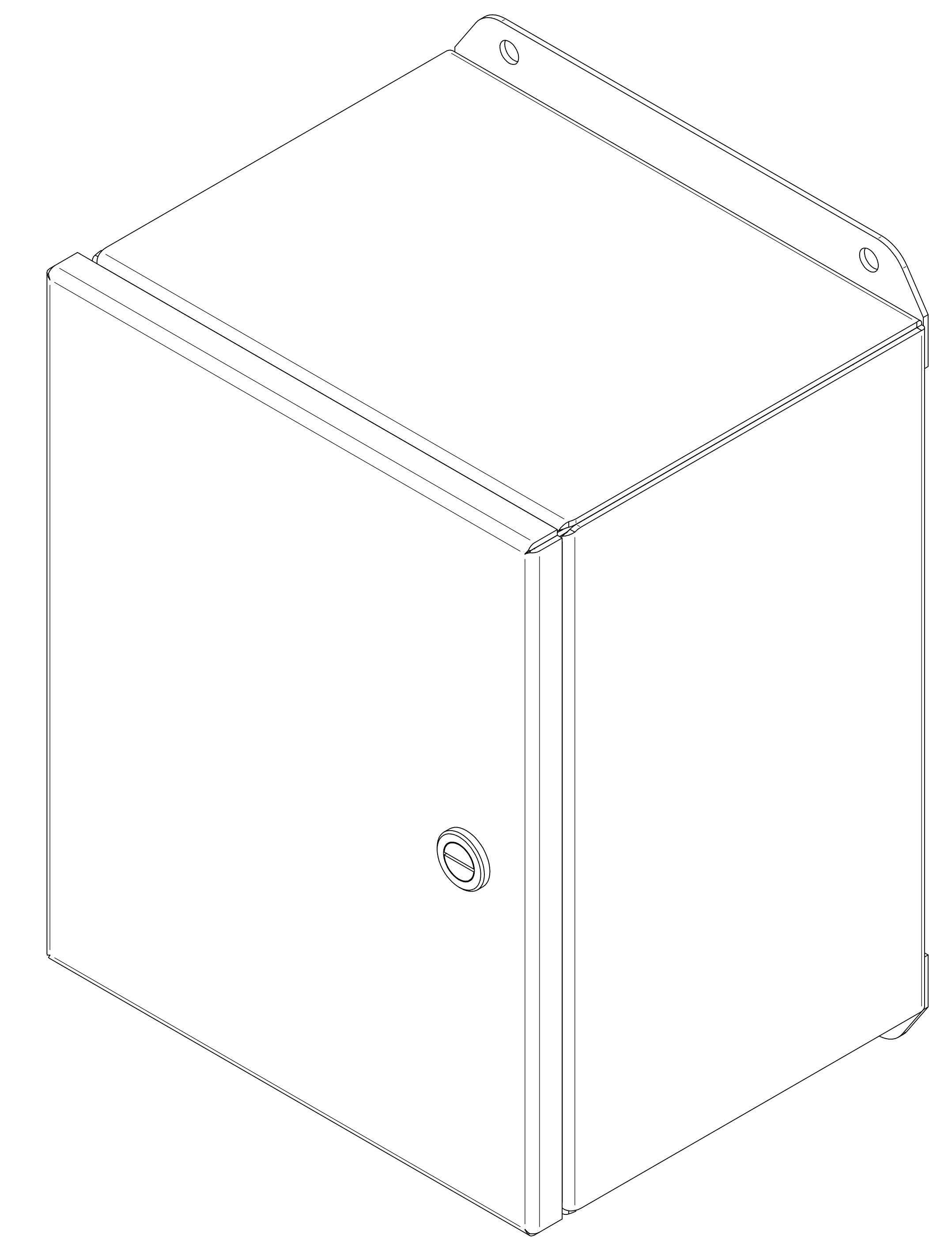
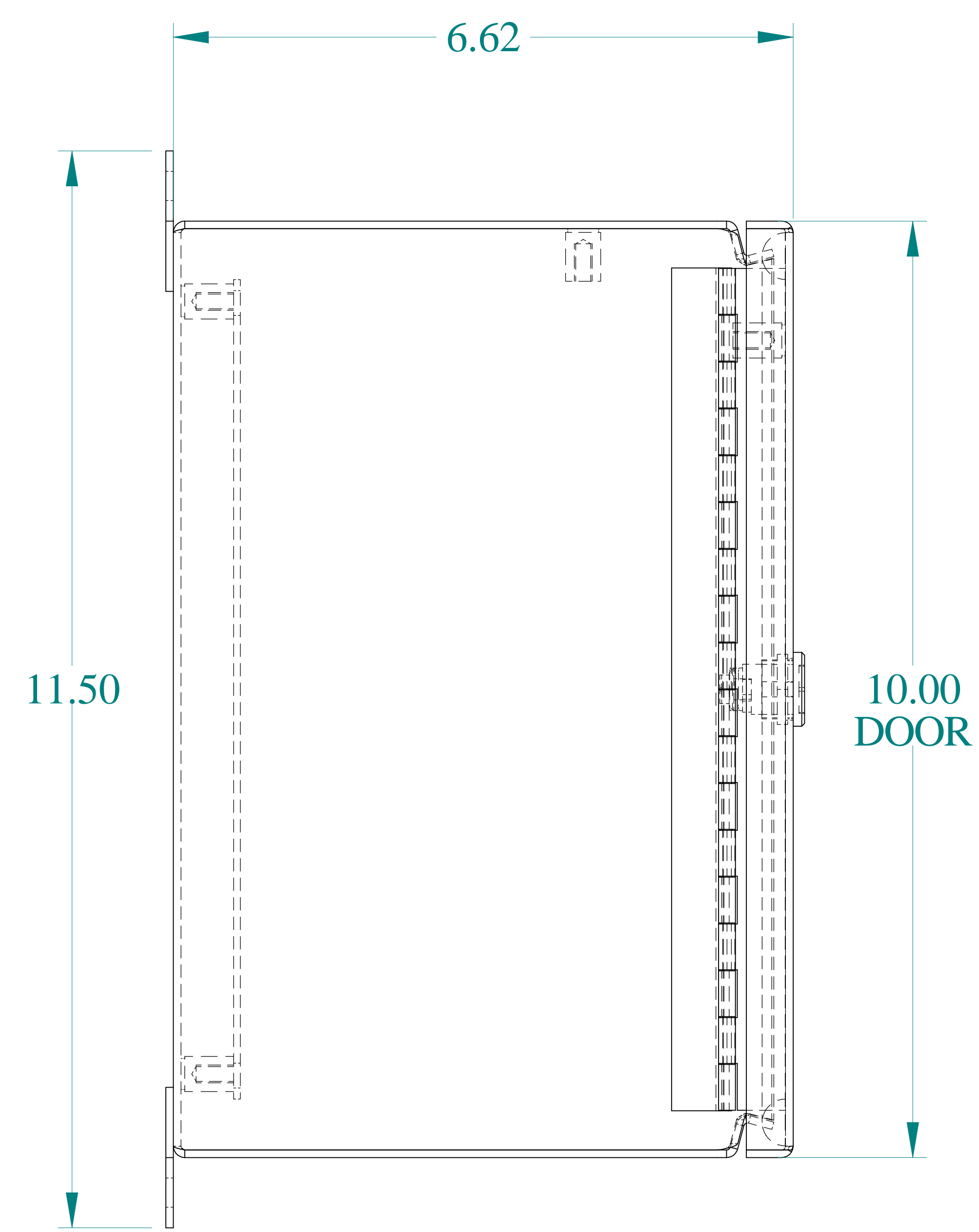


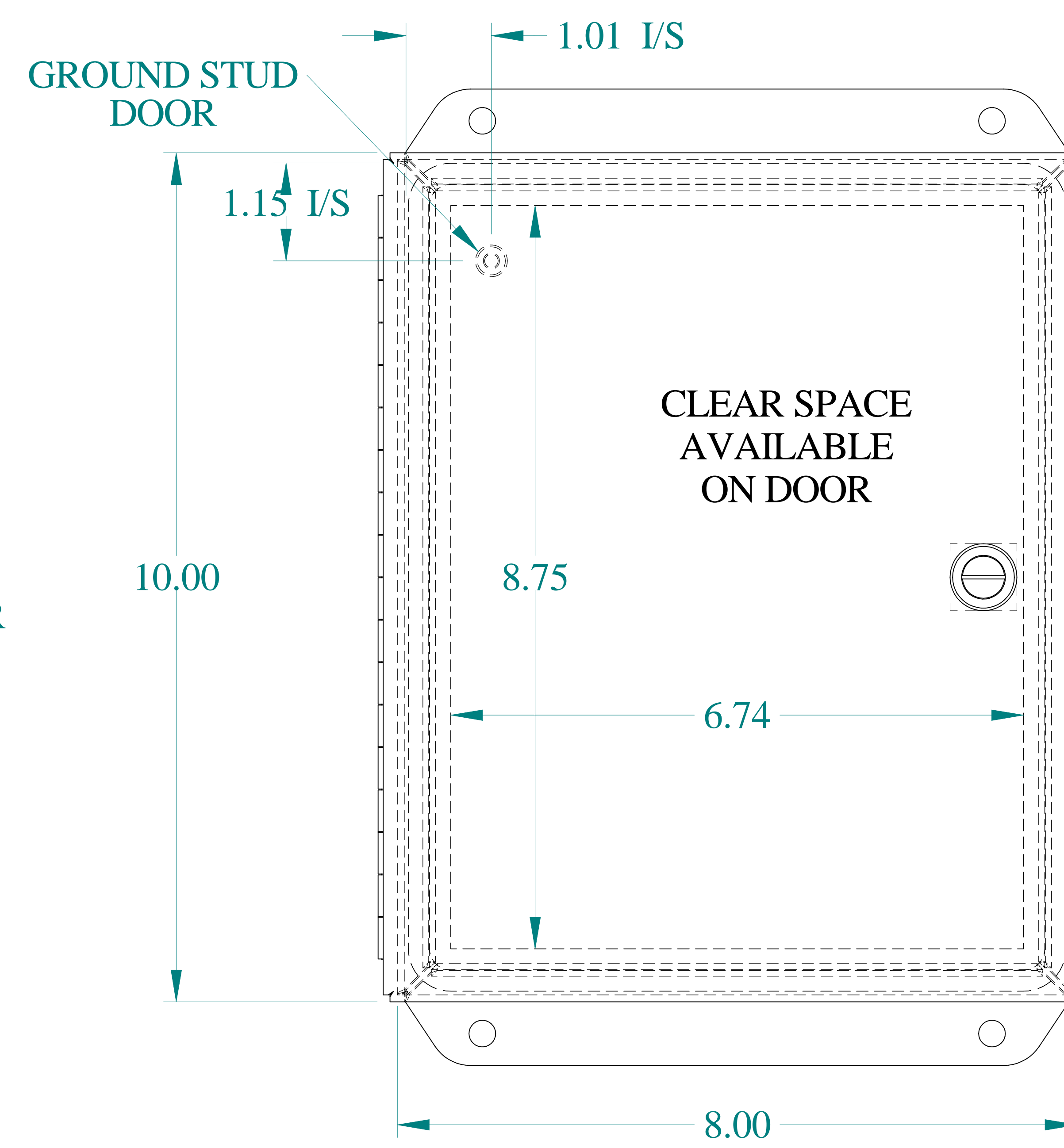
TOP VIEW



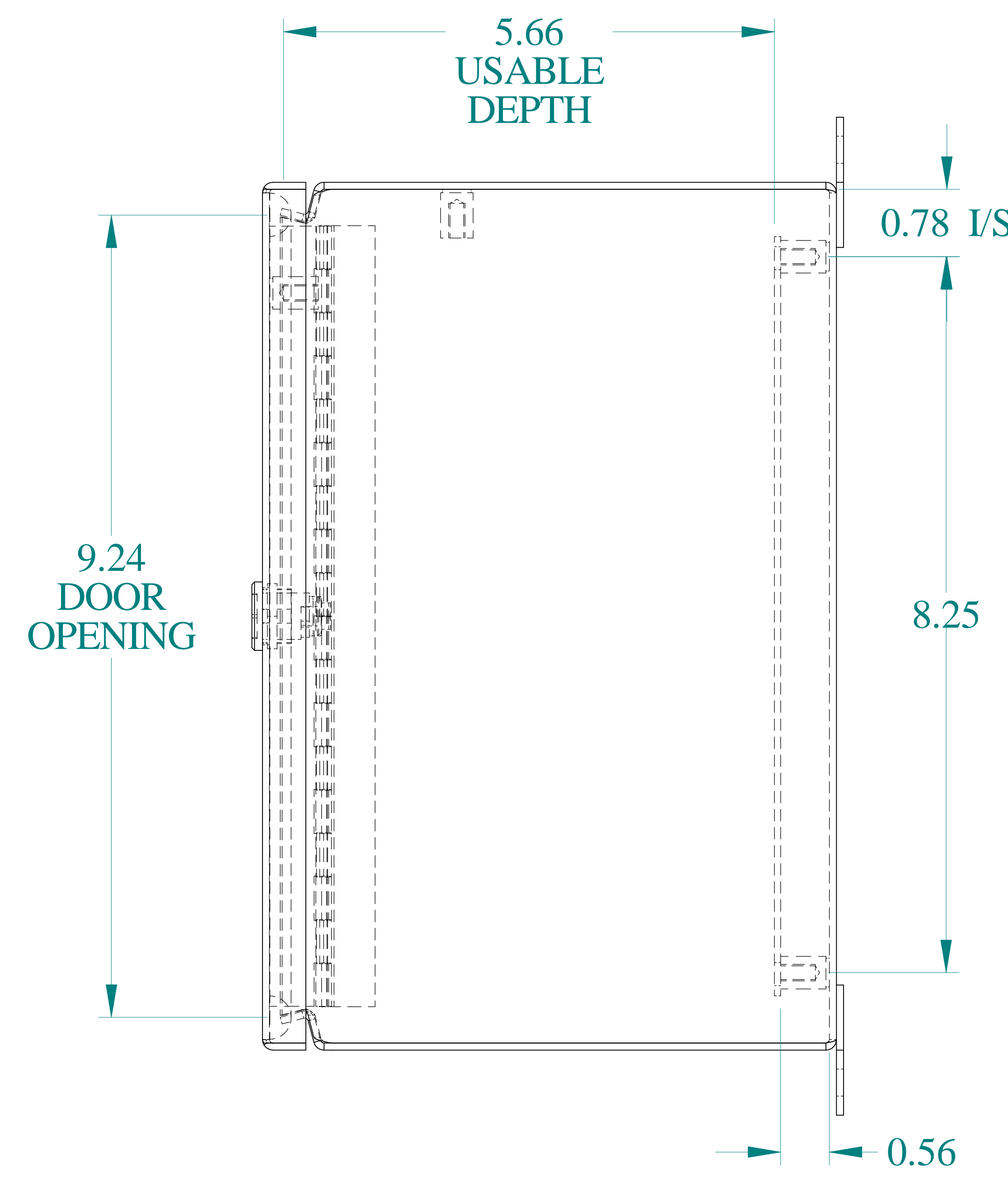
ISOMETRIC VIEWS



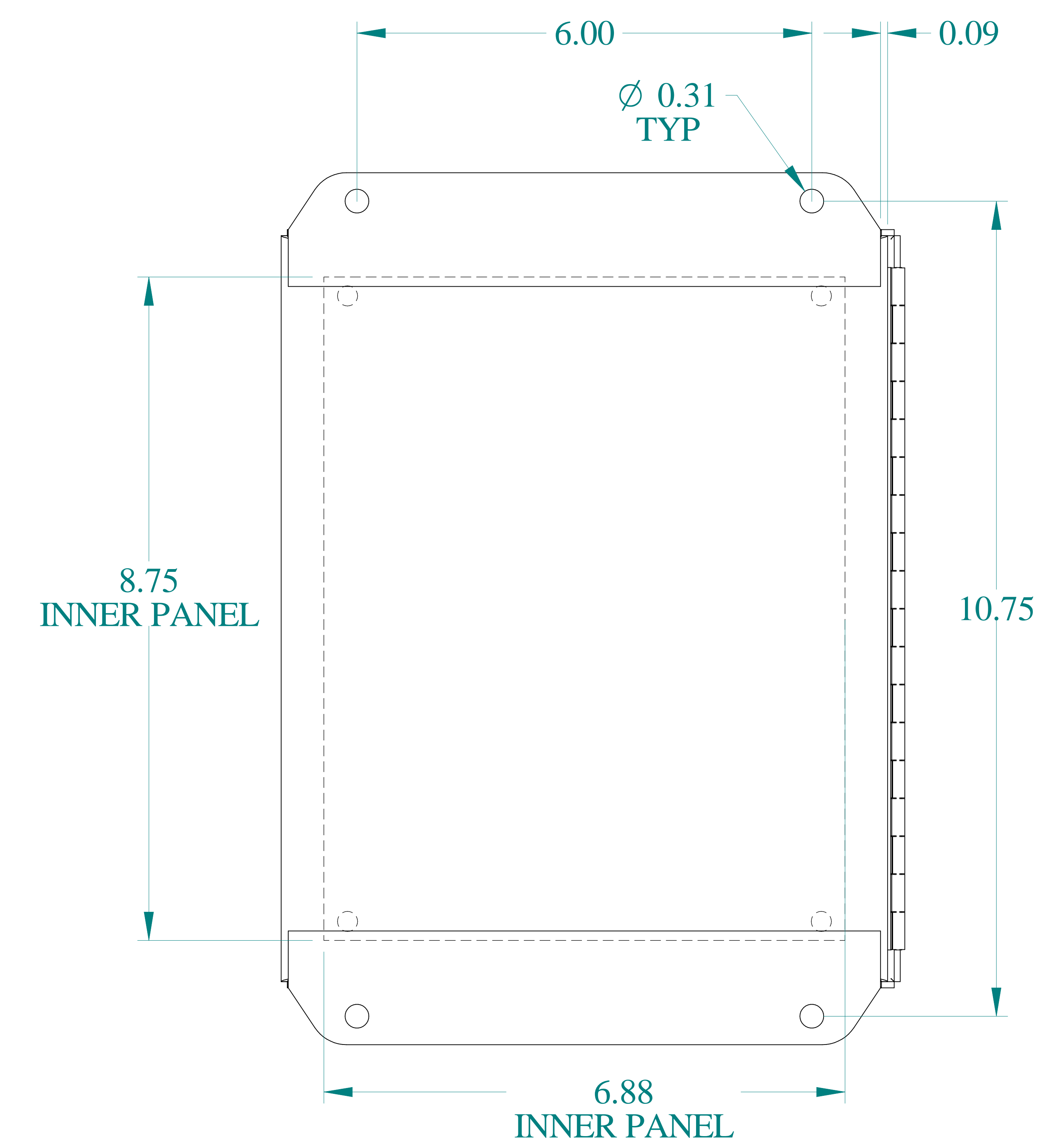
SIDE VIEW



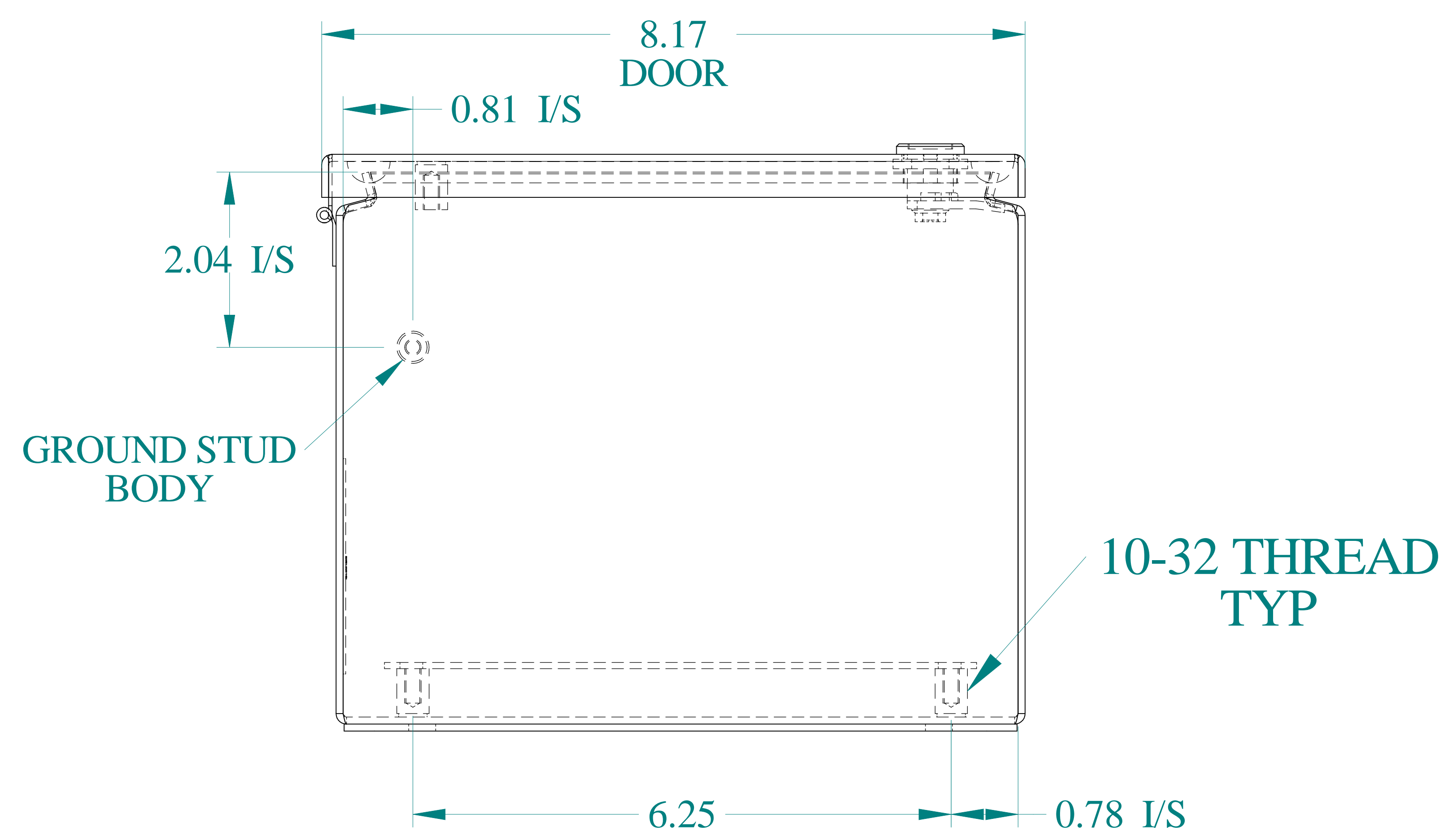
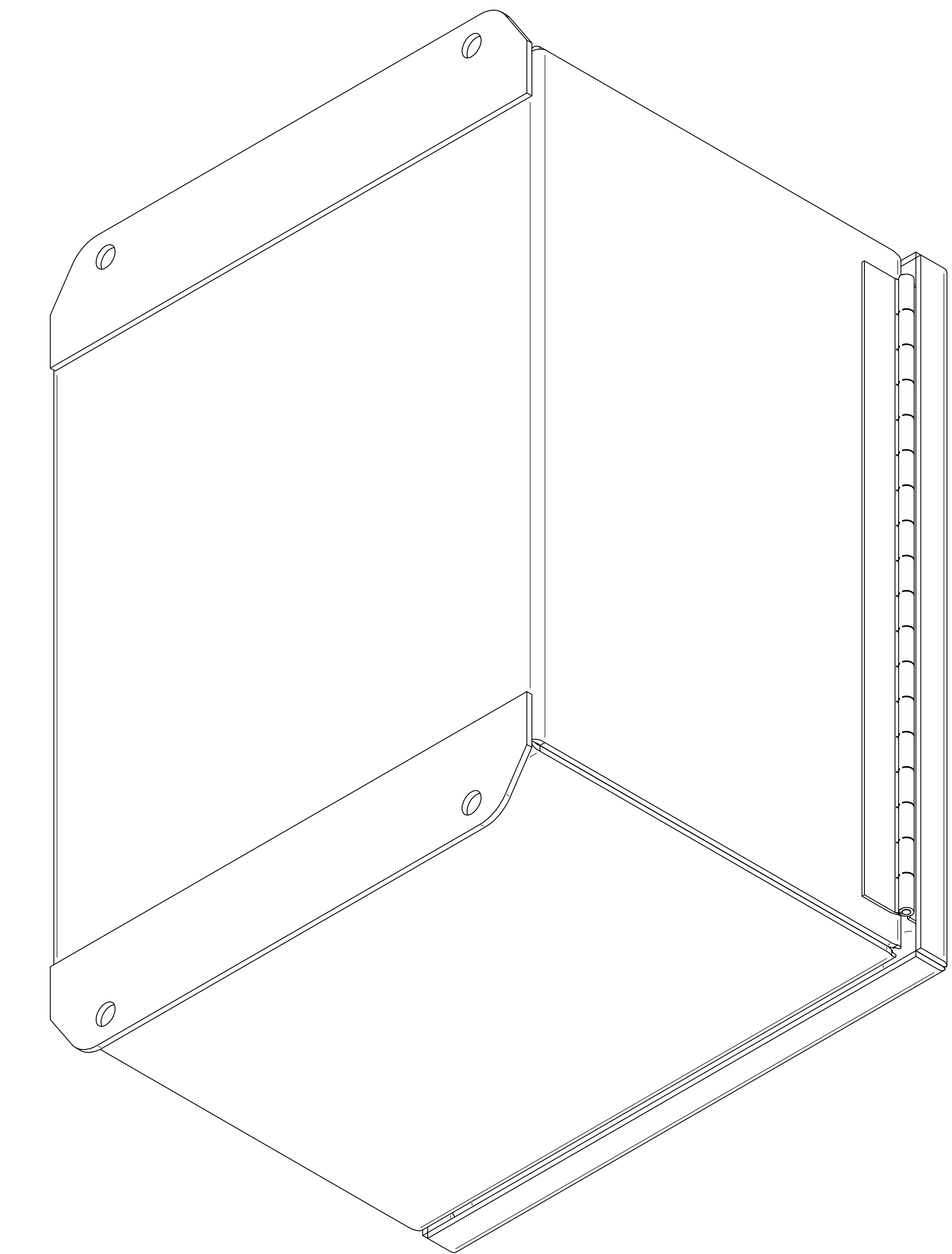
FRONT VIEW



SIDE VIEW



BACK VIEW



BOTTOM VIEW


HAMMOND MANUFACTURING®

www.hammondmfg.com
 Data subject to change without notice.
 Part #: EJ1086AL Date: Oct. 18, 2023
Link:www.hammfg.com/EJ1086AL