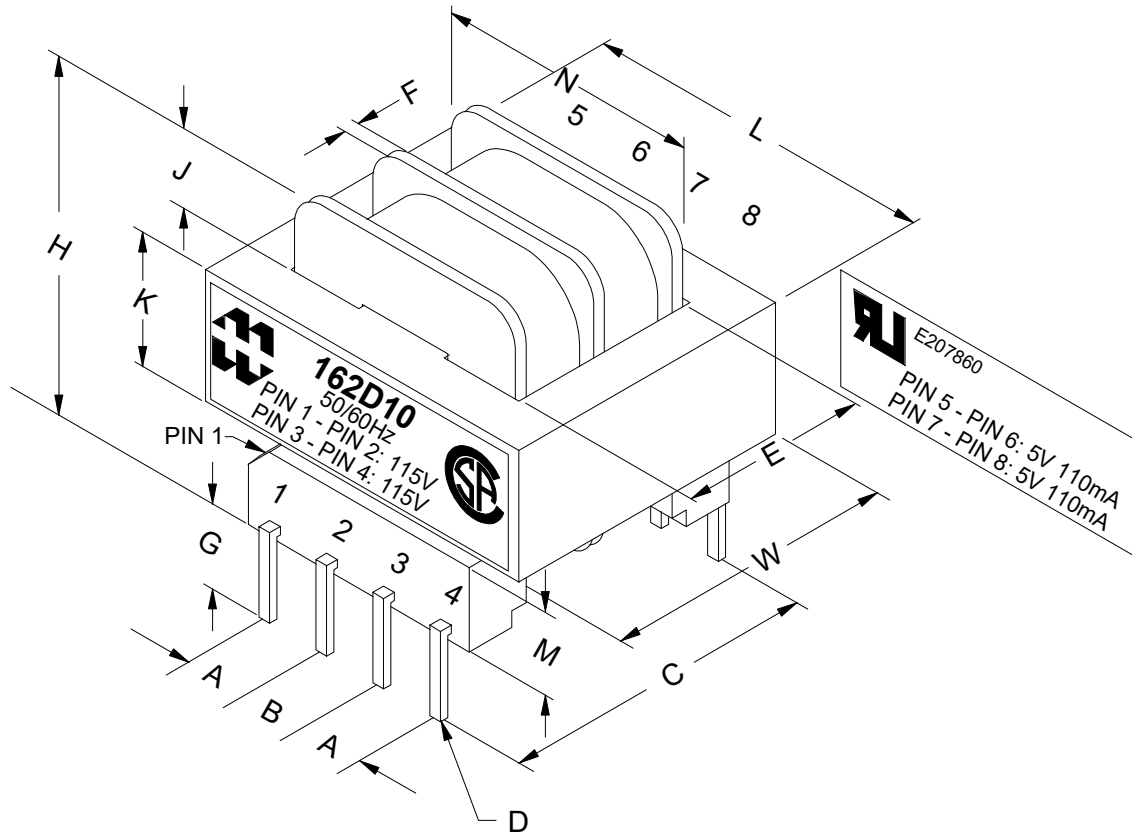
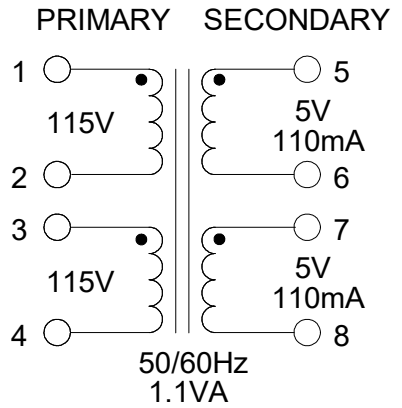


DIMENSIONS:	
A	0.250" ±0.030
B	0.250" ±0.030
C	1.220" ±0.030
D	0.041" x 0.018" ±0.005
E	0.735" ±0.030
F	0.040" ±0.005
G	0.234" ±0.005

DIMENSIONS:	
H	0.930" ±0.030
J	0.290" ±0.030
K	0.270" ±0.030
L	1.375" ±0.030
M	0.350" ±0.030
N	0.970" ±0.030
W	1.125" ±0.030



PIN #'S EMBOSSED
ON BOBBIN FLANGE

ELECTRICAL DATA:		
TESTS	CONDITIONS	ACCEPTANCE CRITERIA
lex	@ 115V, 60Hz, PIN 1 - PIN 2	14.4mA Max.
Sec. N.L.V	@ 115V, 60Hz, PIN 1 - PIN 2	
	PIN 3 - PIN 4 =	115.0V ±2%
	PIN 5 - PIN 6 =	6.531V ±2%
	PIN 7 - PIN 8 =	6.531V ±2%
DCR	@ 20°C, PIN 1 - PIN 2 =	1.593kΩ ±20%
	@ 20°C, PIN 3 - PIN 4 =	2.138kΩ ±20%
	@ 20°C, PIN 5 - PIN 6 =	5.449 Ω ±20%
	@ 20°C, PIN 7 - PIN 8 =	7.260 Ω ±20%
HIPOT	PRIMARY - SECONDARY	2500V, 60Hz, 1 SEC

REV.#	REVISION	DATE
0	RELEASED. C.I.	04/19/24

HAMMOND MANUFACTURING	ELECTRONIC DIVISION 52 RANKIN PLACE, WATERLOO, ONTARIO, N2J 3Z5		PH # (519) 886-6181 FAX # (519) 886-9540
	DWG. BY: C. ILIE DATE: 04/19/24	CHK'D BY: APP'D. BY: DIMENSIONS: IN(X) MM()	TITLE: PC BOARD MOUNT POWER TRANSFORMER