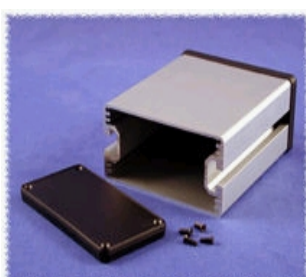


**Path:** [Home](#) > [Enclosure Index](#) > [Extruded Aluminum \(Channel Mount\)](#)



(click to enlarge)


**Open Bezel With Metal Endplate  
Version  
(Open View)**



(click to enlarge)

**Solid ABS Plastic Bezel Version  
(Open View)**

### Key Features:

- Designed to house P.C. boards or equipment - for easy enclosure mounting to aluminum channel.
- Two versions to choose from (open bezel with metal endplates OR solid ABS plastic bezel).
- Sized for P.C. boards with 92mm (min.) to 98mm (max.) width. Enclosures will not accept & were not designed for 100mm wide eurocard.
- P.C. boards mount horizontally by sliding into internal slots extruded into the enclosure body.
- Rugged one piece body - constructed from extruded aluminum with a minimum thickness of .09" (2.29 mm).
- Extruded body & aluminum endplates (on metal endplate version) are clear anodized.
- Open bezel - metal endplate version includes eight (8) clear zinc plated assembly screws. **NOTE:** Recommended screw torque is 5 lbf/in
- Solid bezel version includes eight (8) black assembly screws. **NOTE:** Recommended screw torque is 5 lbf/in.
- See  "[photo tables](#)" for more visual details.



(click to enlarge)

### Open Front & Rear Bezels With Metal Endplates

Open Bezels with Metal Endplates Part Number	PDF Reader File	AutoCAD .dwg Files (zipped)	3D Solid Model .igs & .stp files (zipped)	Units	Length	Width	Height
1455NC1201	253K	153K	194K	Inches	4.72	4.06	2.09
				mm	120	103	53
1455NC1601	253K	152K	194K	Inches	6.30	4.06	2.09
				mm	160	103	53
1455NC2201	254K	154K	193K	Inches	8.66	4.06	2.09
				mm	220	103	53

 [Link here to photo tables](#) of each part number



(click to enlarge)

### Solid ABS Plastic Front & Rear Bezels

Solid Plastic Bezels Part Number	PDF Reader File	AutoCAD .dwg Files (zipped)	3D Solid Model .igs & .stp files (zipped)	Units	Length	Width	Height
1455NC1202	239K	146K	173K	Inches	4.72	4.06	2.09
				mm	120	103	53
1455NC1602	240K	146K	173K	Inches	6.30	4.06	2.09
				mm	160	103	53
1455NC2202	235K	146K	173K	Inches	8.66	4.06	2.09
				mm	220	103	53


 [Link here to photo tables](#) of each part number

## Accessories

### Channel Mounting Kits:



(click to enlarge)

Part Number	Description	Thumbnail Photo
1455NCFL	Flanged brackets (sold in pairs)	
1455TBOLT	Quantity two (2) - 8mm X 20 "T" bolts, washers & hex nuts	
1455TNUT	Quantity two (2) - 8mm "T" nuts	
1455TSNUT	Quantity two (2) - 8mm "T" nuts & springs	

Exactly what you are looking for???

Link to our stocking distributors – most have "on-line" pricing, stock check and ordering!!!

[Our Distributors](#)

[Order from your favorite distributor](#)