

Instrument Consoles - ABS (1595 Series)



Molded in Flame Retardant ABS

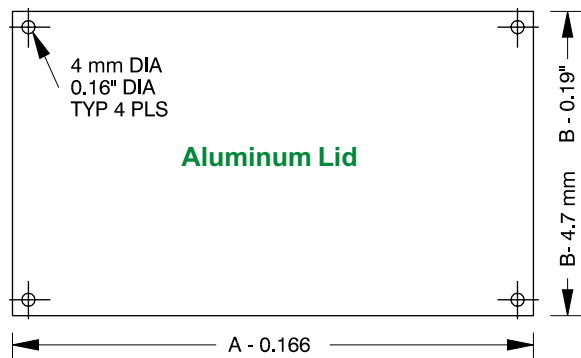
Plastic

KEY FEATURES

- Desk top electronic instrument enclosure, ideally suited for mounting printed circuit boards.
- Molded in fire retardant ABS plastic (material carries a UL flammability rating of 94V-0).
- Two piece construction. Integral card guides accept 1.5 mm (0.062") P.C. cards. 0.20" diameter stand off bosses in the base for supporting various subassemblies.
- Integral brass bushings with four M3 x 0.5" x 8 mm (0.31") Philips pan head machine screws hold recessed panel into sloping front of case.
- 1.01 mm (0.04") aluminum panel with paper on one side.
- Four self-adhesive feet included. Stocked in black and grey.

Part Number		Units	Dimensions					
Black	Grey		A	B	C	D	E	R
1595CBK	1595CGY	inch	6.35	3.78	2.28	2.52	4.66	0.63
		mm	161	96	58	64	118	15.9
1595EBK	1595EGY	inch	8.47	5.12	2.95	3.23	6.78	1.00
		mm	215	130	75	82	72	25.4

NOTES: - Average wall thickness: 0.1" (2.5 mm)



Aluminum Lid

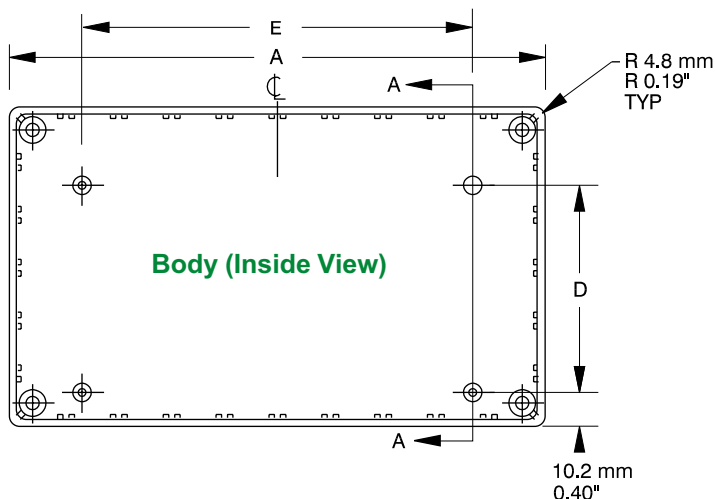
ACCESSORIES

Replacement Lid Screws

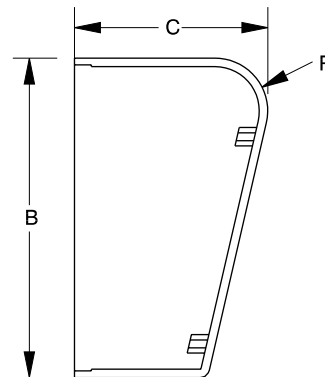
Machine screws for aluminum lid of 1595 series
M3 - 0.5" x 8 mm
1595MS100 - Package of 100

Accessory Internal Boss Screws

Self-tapping type screws for 1595 series - #6 x 0.25" (6.4 mm)
1598ATS100 - Package of 100



Body (Inside View)



Section A-A



CANADA
Guelph, Ontario (519) 822-2960
St. Laurent, Quebec (514) 343-9010
USA
Cheektowaga, NY (716) 651-0086



EUROPE
Basingstoke, UK +44 1256 812812

AUSTRALASIA
Queenstown, SA, Australia +61 8 8240 2244