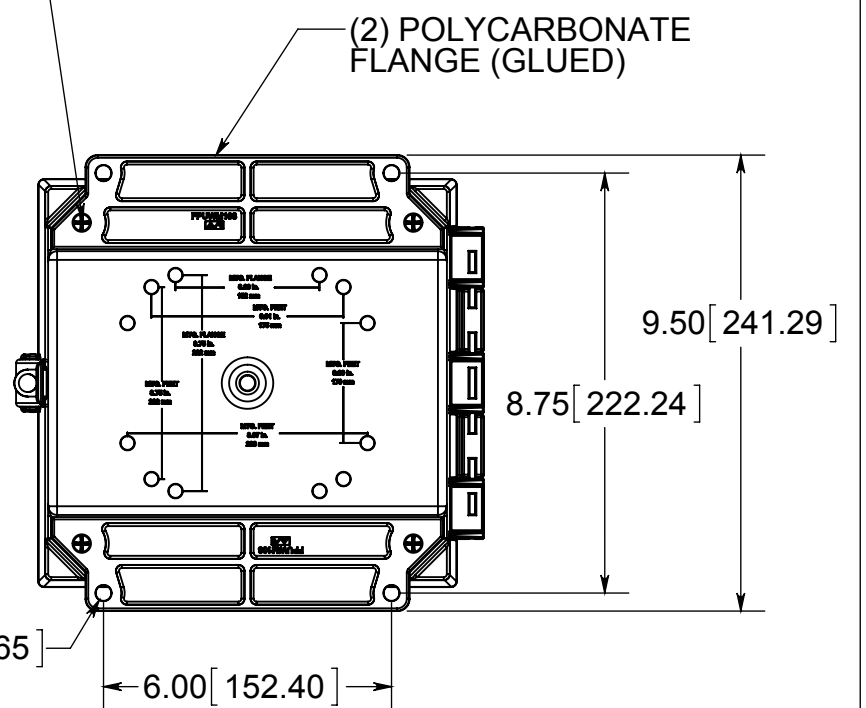
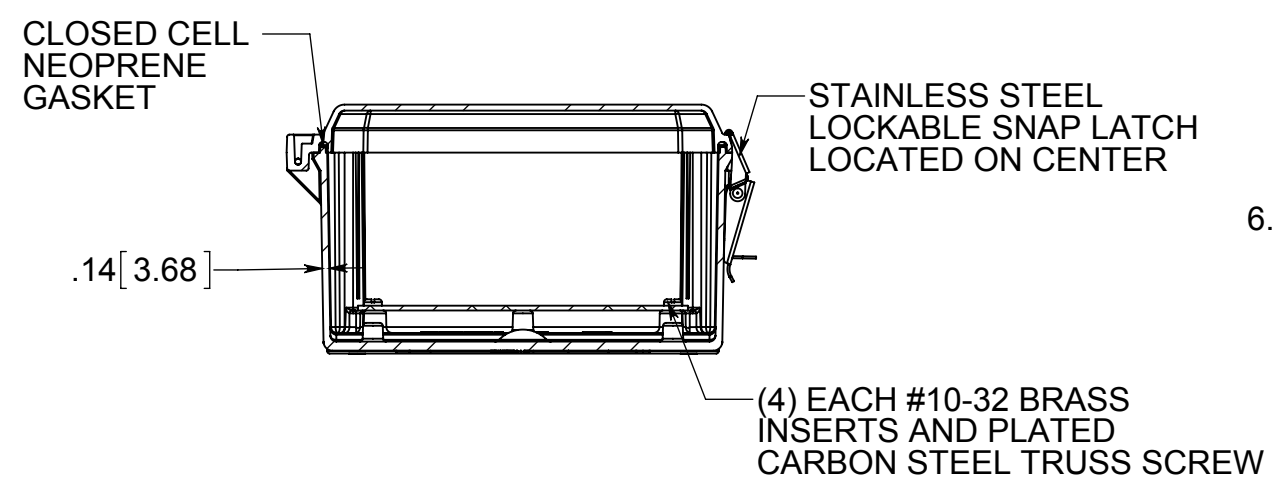
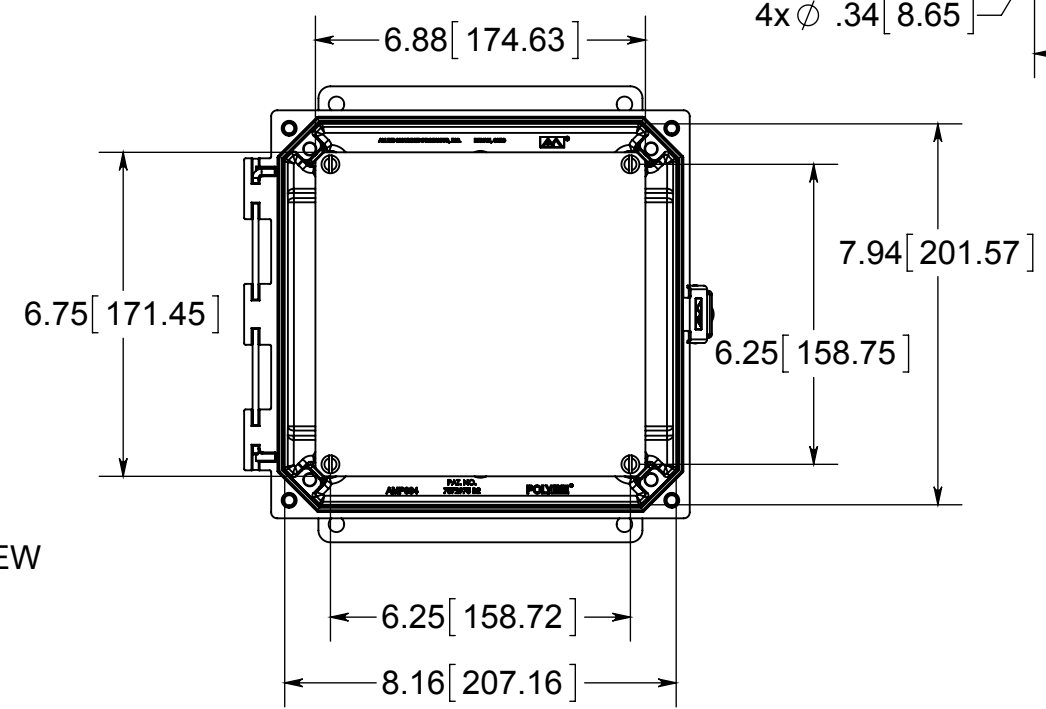


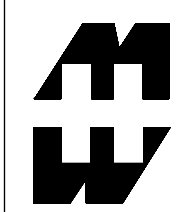
(4) EACH #10-32 BRASS INSERTS, AND STAINLESS STEEL FLANGE AND FEET SCREWS



FRONT VIEW WITH COVER REMOVED AND BACK PANEL DISPLAYED



MATERIAL:
BOX - INJECTED POLYCARBONATE
STANDARD COVER - INJECTED POLYCARBONATE
CLEAR COVER - INJECTED POLYCARBONATE



PART No. PCJ884LF
for more information visit www.hammfg.com
Data subject to change without notice
Drawing Not to Scale