

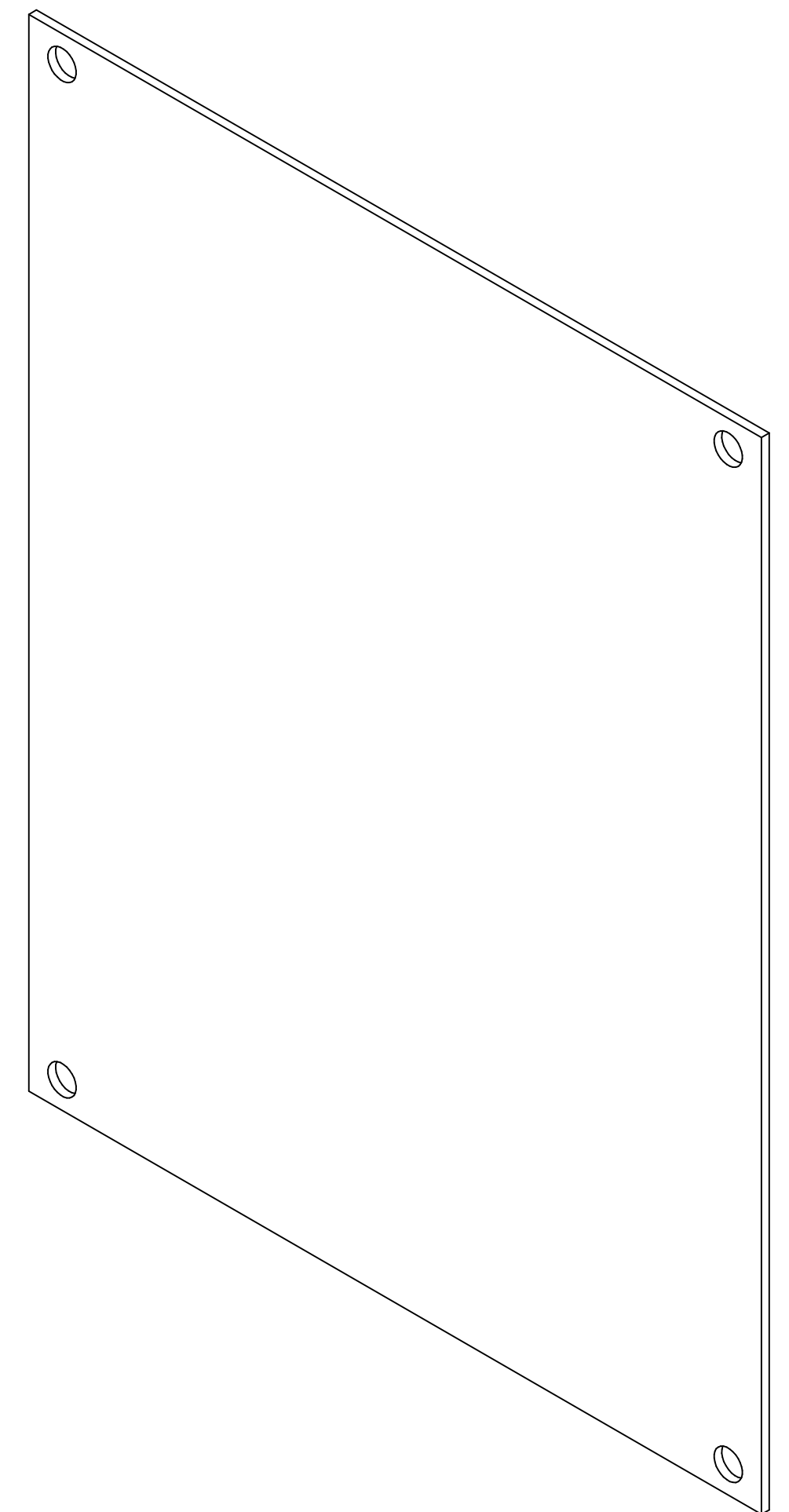
PART No. 14R0907SS

for more information visit

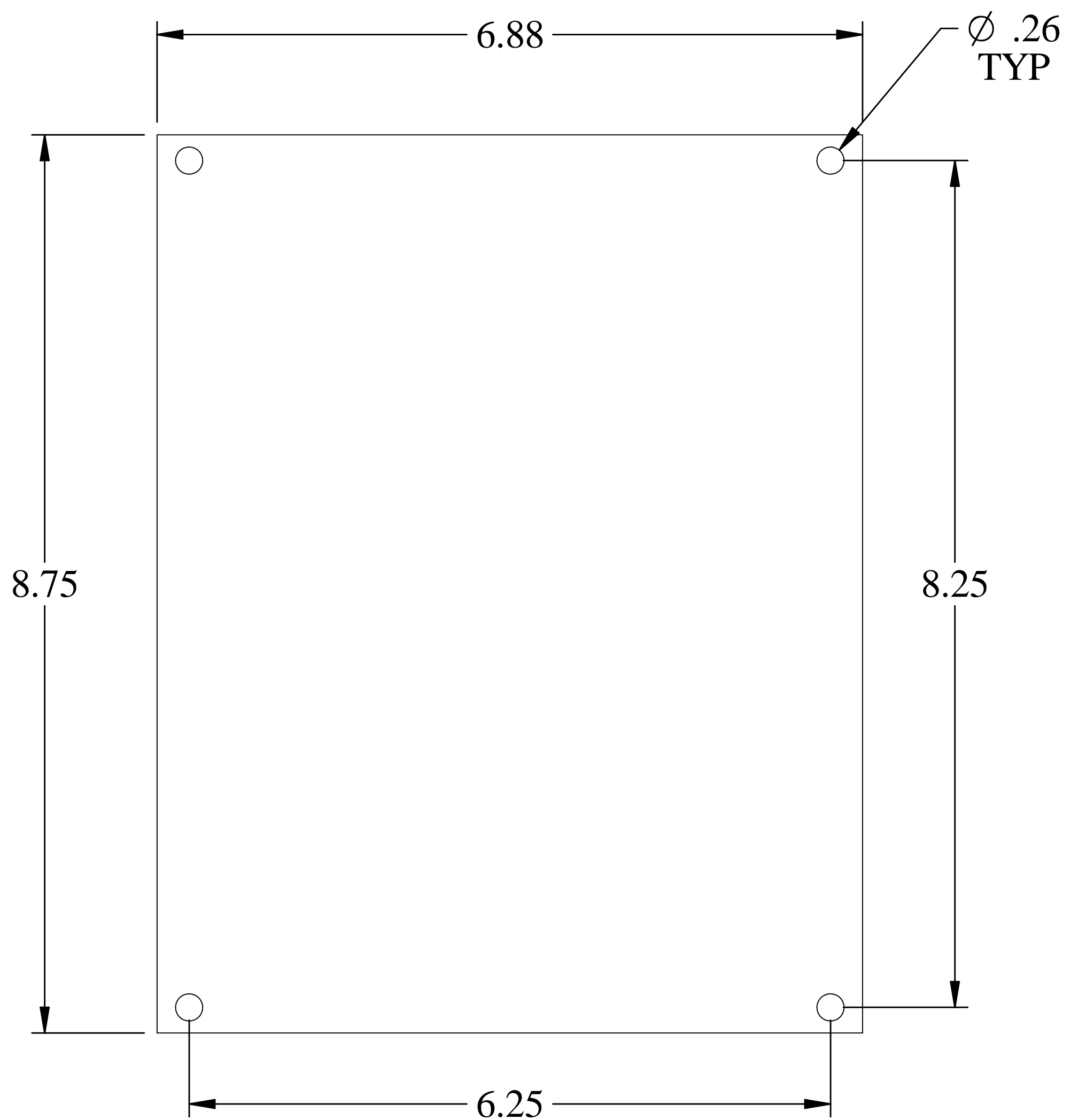
[www.hammondmfg.com](http://www.hammondmfg.com)

Data subject to change without notice

Isometric drawing Not to Scale



ISOMETRIC VIEW



FRONT VIEW



SIDE VIEW