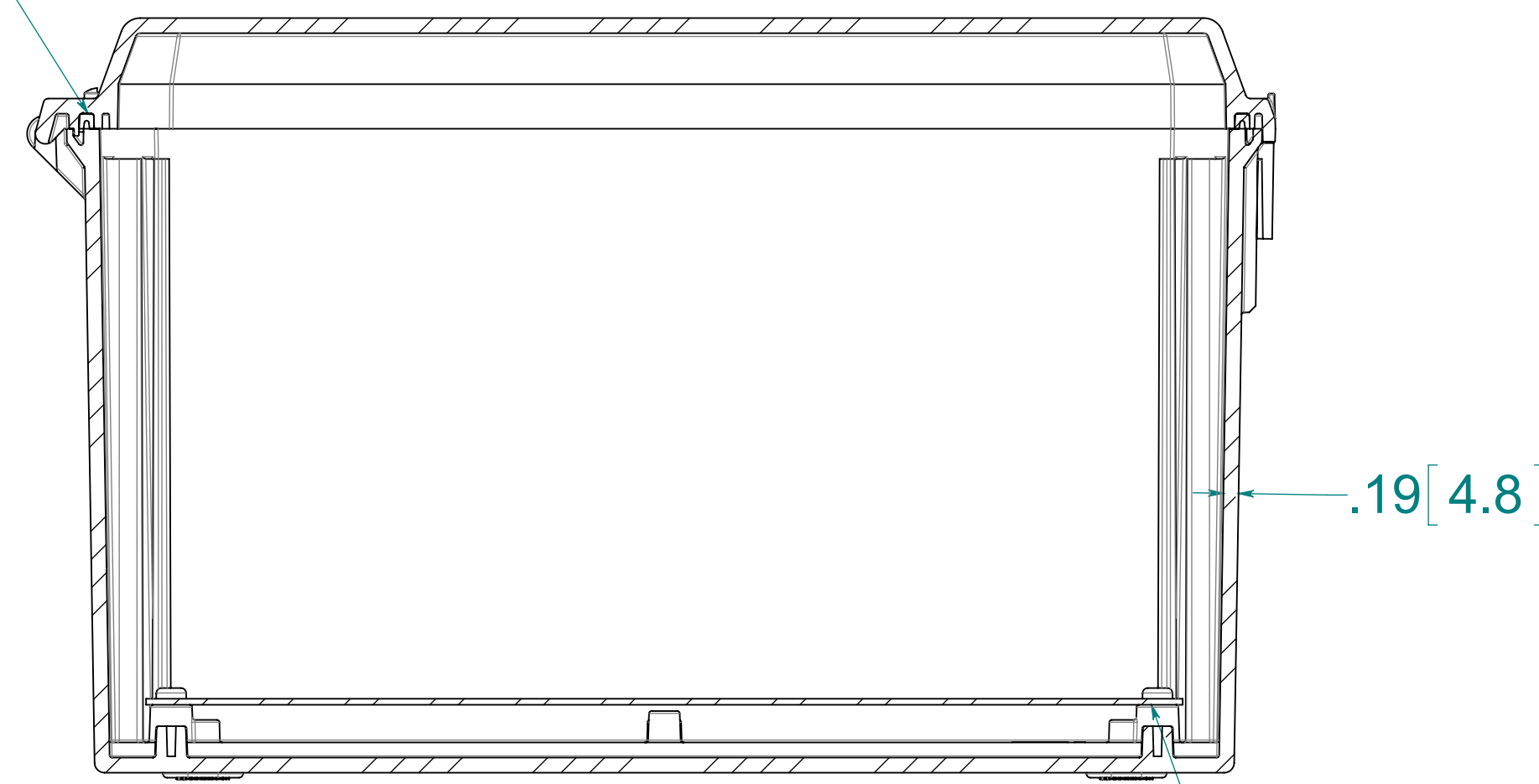


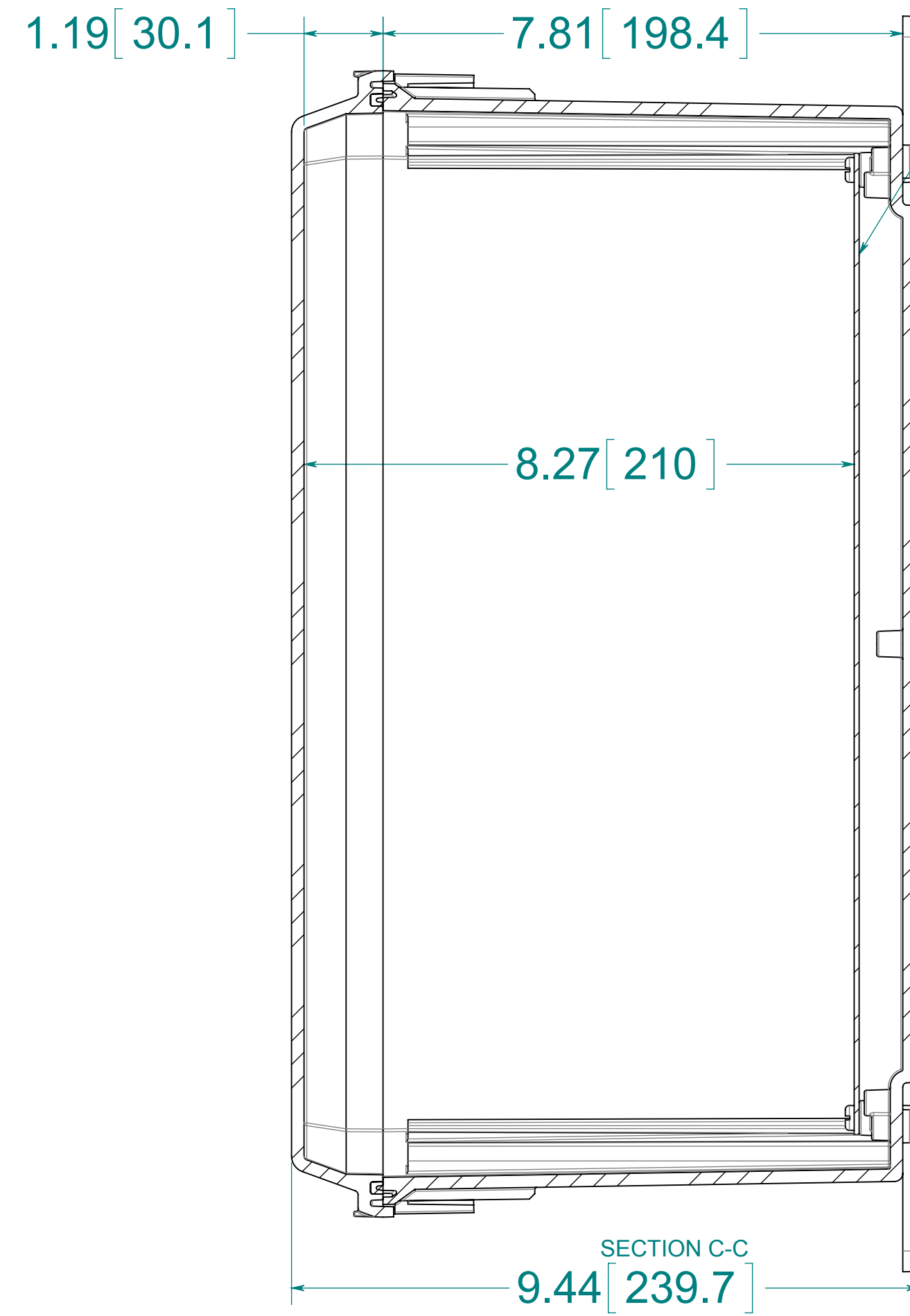
(4) EACH #10-32 BRASS INSERTS AND STAINLESS STEEL CAPTIVE COVER SCREWS WITH RETAINING O-RING

FIP POLYURETHANE FOAM GASKET



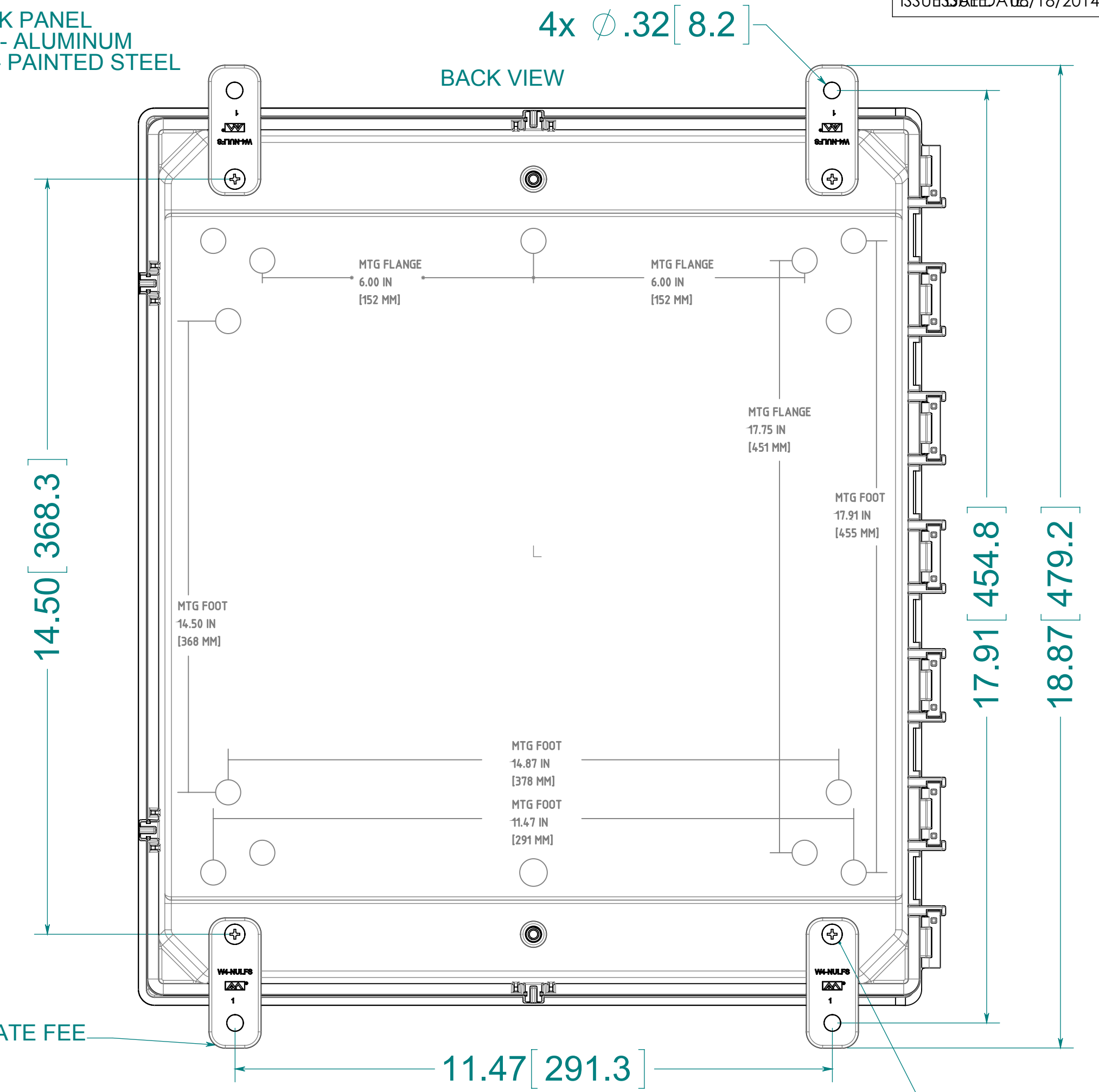
SECTION D-D

(4) EACH #10-32 BRASS INSERTS PLATED CARBON STEEL SCREWS TO RETAIN BACK PANEL



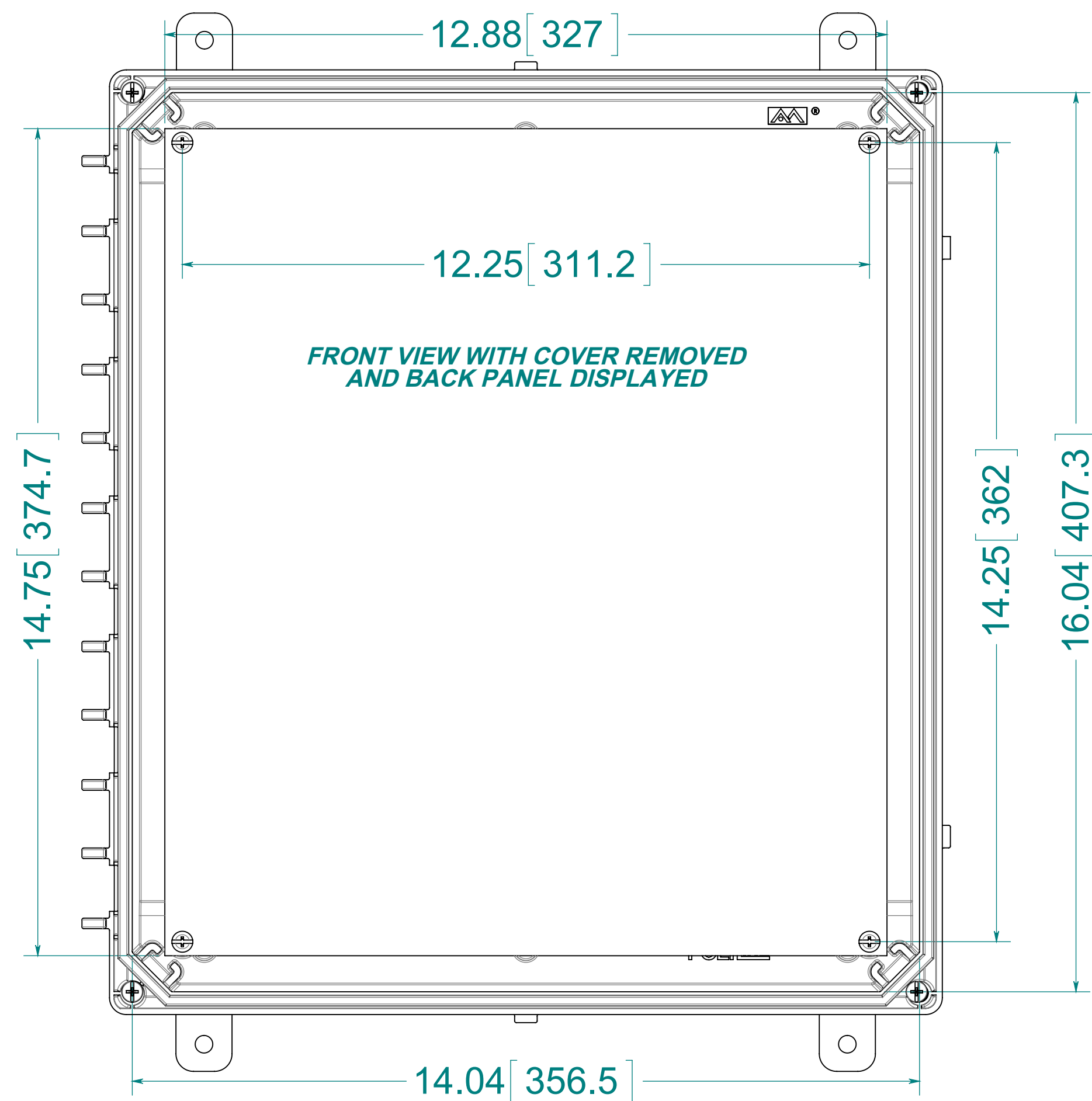
SECTION C-C

OPTIONAL BACK PANEL
.100[2.54] TH'K - ALUMINUM
.075[1.91] TH'K - PAINTED STEEL



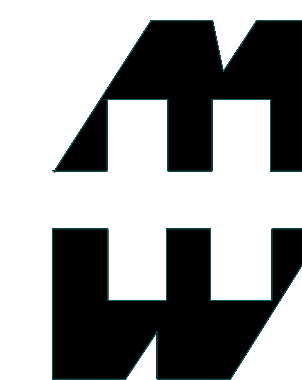
(4) POLYCARBONATE FEET

(4) EACH #10-32 BRASS INSERTS AND STAINLESS STEEL FLANGE AND FEET SCREWS



FRONT VIEW WITH COVER REMOVED AND BACK PANEL DISPLAYED

MATERIAL:
BOX: INJECTION MOLDED POLYCARBONATE
STANDARD COVER: INJECTION MOLDED POLYCARBONATE
CLEAR COVER: INJECTION MOLDED POLYCARBONATE



PART No. PCJ16148

for more information visit
www.hammfg.com
Data subject to change without notice

Drawing Not to Scale