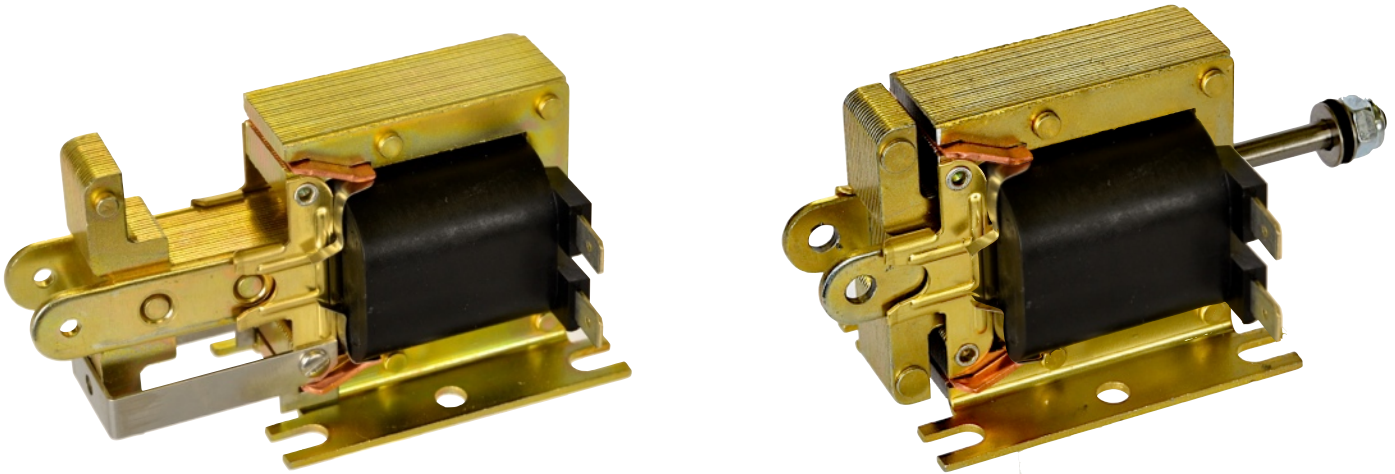




GUARDIAN
GUARDIAN ELECTRIC MANUFACTURING CO.

Type 18 Laminated Solenoid

(With Plunger Retention)

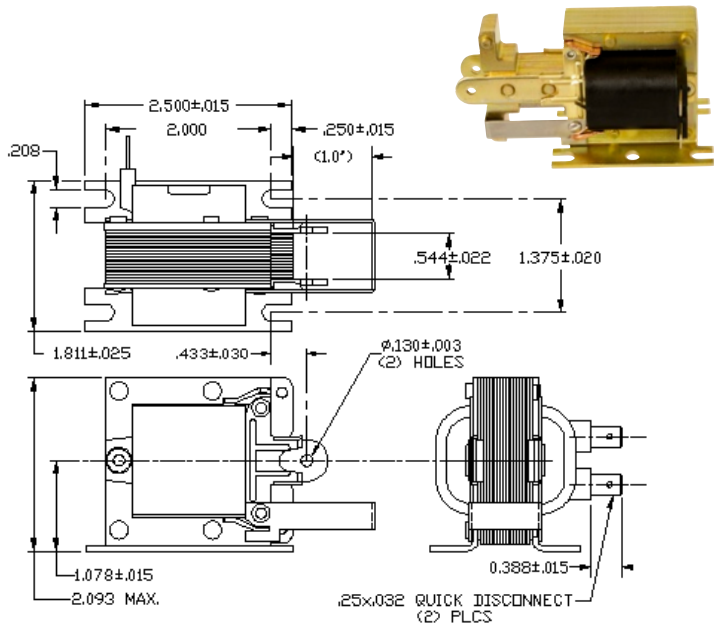


FEATURES & BENEFITS

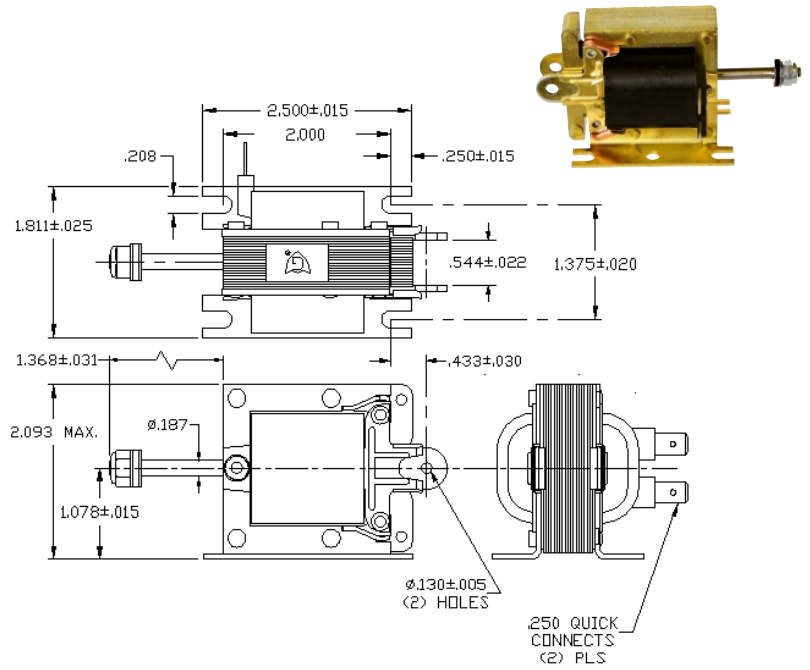
- Two retaining methods available
- Push or Pull type
- Extension rod in 18R version
- Precise stroke control
- Quick disconnect tabs
- 120 VAC & 240 VAC versions available
- Continuous or Intermittent service
- Allows for vertical mounting of the solenoid
- Versatility in applying solenoid in application
- Reduces droop & binding in horizontal applications
- Improves long term system performance
- Easy electrical connection
- Meets most application needs
- Meets all duty requirements

GUARDIAN-ELECTRIC.COM

SPECIFICATIONS



Type 18B (With Retention Bracket)



Type 18R (With Retention Feature)

Part Number	Duty Cycle	AC Volts	Res. (Ω)	Power (VA)	Current (Seated)
18B-A420-068531-00 18R-A420-068530-00	Intermittent	120	8	228	1.9 A
18B-A420-068531-01 18R-A420-068530-01	Continuous	120	20.3	49	408 mA
18B-A420-068531-02 18R-A420-068530-02	Intermittent	240	46.9	228	950 mA
18B-A420-068531-03 18R-A420-068530-03	Continuous	240	80.7	49	204 mA

Stroke (in.)	Pull Force (oz.)							Holding Force (oz.)
	0.125	0.250	0.375	0.500	0.625	0.750	1.000	
Intermittent	336	240	200	195	200	195	144	430
Continuous	155	115	105	105	105	100	60	245



DESIGNING FUTURE
TECHNOLOGIES TODAY

1425 Lake Ave
Woodstock, IL 60098
PH: 815-334-3600
Toll Free: 800-762-0369
FX: 815-334-3689



PROUDLY MADE IN THE USA

GUARDIAN-ELECTRIC.COM