



**GARDTEC**

Part Number:

**SC40-W2SS**

Material: 304 Stainless Steel

Finish: Clear Electro Deposit

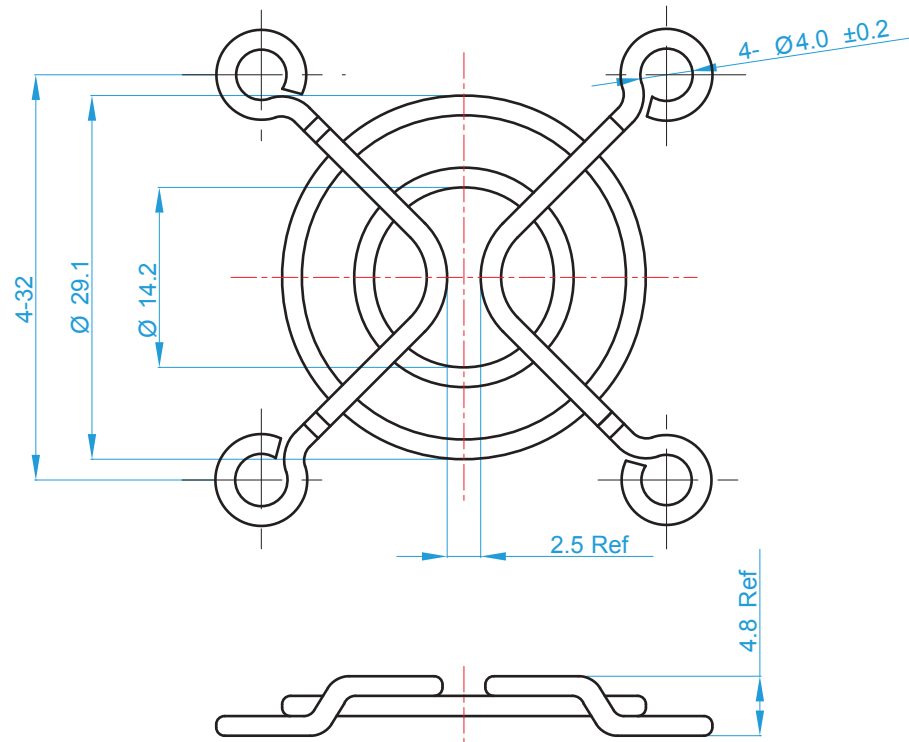
Ring Diameter: 1.6mm

Rib Diameter: 1.6mm

General Tolerance Unless Noted:  $\pm 0.5\text{mm}$

Unit: mm

RoHS/REACH Compliant



These drawings are the property of Gardtec, Inc and cannot be reproduced for or communicated to a third party without the express written permission of Gardtec, Inc.