

SCFH

750V SEMICONDUCTOR FUSE HOLDERS



FUSE HOLDERS FOR FRENCH CYLINDRICAL SEMICONDUCTOR FUSES

Ferraz Shawmut Semiconductor Fuse Holders feature both finger-safe **SCFH** and conventional **703** open face styles. SCFH is rated 750 volts, accommodates 14 x 51mm and 22 x 58mm fuses and qualifies as “finger-safe” under IEC standards to an IP20 grade of protection, including fuse changing (with the flick of a finger). SCFH holders are available in either 1 or 3 poles. 3-pole units are pinned together for rigidity and utilize extruded handle ties. 703 Series holders accommodate 14 x 51mm fuses and feature Ferraz Shawmut’s convenient adder-block design. The 703 Series offers a choice of box, screw, or pressure plate connectors to fit a wide range of stranded or solid copper wire. All versions have verified dielectric strengths in excess of 2500V.

HIGHLIGHTS:

- Thermoplastic bases
- Finger Safe (SCFH)
- DIN Rail (SCFH) or Screw Mount
- Quick, Easy Fuse Change

APPLICATIONS:

- All circuits up to 750 volts using semiconductor fuses for protection of small inverters, UPS systems, motor drives, etc.
- Non-load disconnects (SCFH)
- IP 20 requirements (SCFH)

Ratings

- 750V AC
- Withstand Rating: 200kA I.R.

Approvals

- [For 30A, SCFH14 & 703 and 50A, SCFH22]
- UL Recognized Component Guide IZLT2, File E52283
- CSA Certified Class 6225, File 32169



Catalog Numbers & Descriptions

CATALOG NUMBER	DESCRIPTION	ACCOMMODATES FUSE
SCFH14-1	1-Pole	A7QQS(10-50)-14F,-14FI
SCFH14-3	3-Pole	A7QQS(10-50)-14F,-14FI
SCFH22-1	1-Pole	A7QQS(20-100)-22F,-22FI
SCFH22-3	3-Pole	A7QQS(20-100)-22F,-22FI
7030X*	Al Box Connector	A7QQS(10-50)-14F
7031X*	Screw Connector	A7QQS(10-50)-14F
7032X*	Pressure Plate Connector	A7QQS(10-50)-14F
7035X*	Copper Box Connector	A7QQS(10-50)-14F

Accessories

CATALOG NUMBER	DESCRIPTION	NO. OF POLES	USE W/HOLDERS
24930-G	Handle ?	2 (43mm)	SCFH14
24732-G	Tie Extrusion	3 (68mm)	SCFH14
24932-G	Tie Extrusion	4 (94mm)	SCFH14
25130-G	Tie Extrusion	2 (58mm)	SCFH22
24932-G	Tie Extrusion	3 (94mm)	SCFH22
25132-G	Tie Extrusion	4 (129mm)	SCFH22

*Complete Catalog No. as follows:

x=5 (adder pole), 6 (1 pole), 7 (2 pole), or 8 (3 pole). Example: 70306

Consult factory for further rating information

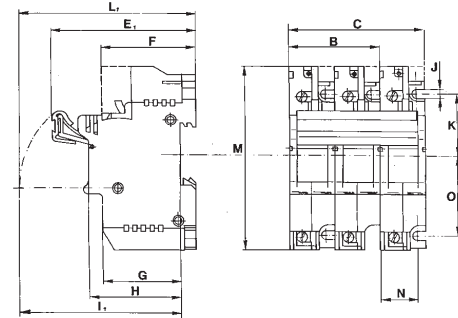
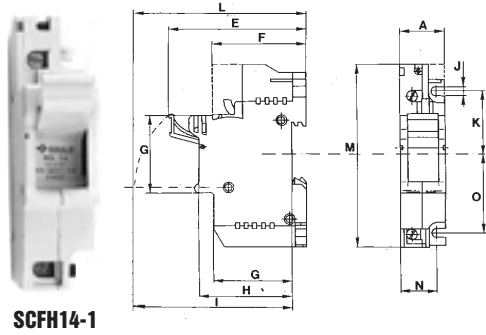
SCFH

750V SEMICONDUCTOR FUSE HOLDERS

SCFH14

1-Pole

3-Pole

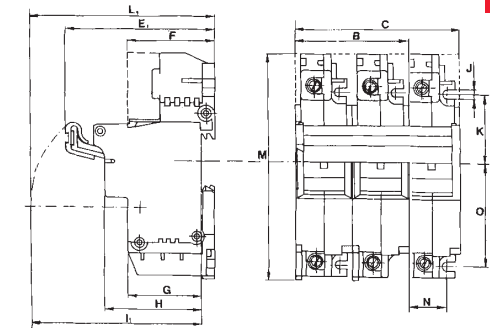
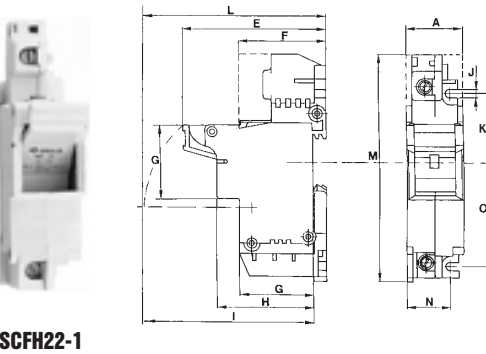


A	B	C	E	E ₁	F	G	H	I	I ₁	J	K	L	L ₁	M	N	O
26	52	78	81	83	53.5	44.5	52.6	89	91	5	32.5	98	100	106	21	43.8
(1.02)	(2.05)	(3.07)	(3.19)	(3.27)	(2.11)	(1.75)	(2.07)	(3.50)	(3.58)	(.20)	(1.28)	(3.86)	(3.94)	(4.17)	(.83)	(1.72)

SCFH22

1-Pole

3-Pole



A	B	C	E	E ₁	F	G	H	I	I ₁	J	K	L	L ₁	M	N	O
35	70	105	88	90	53	45	58	103	105	4.5	45	112	114	140	26.5	63
(1.38)	(2.76)	(4.13)	(3.46)	(3.54)	(2.09)	(1.77)	(2.28)	(4.06)	(4.13)	(.18)	(1.77)	(4.41)	(4.49)	(5.51)	(1.04)	(2.48)

703 SERIES

750V SEMICONDUCTOR FUSE HOLDERS

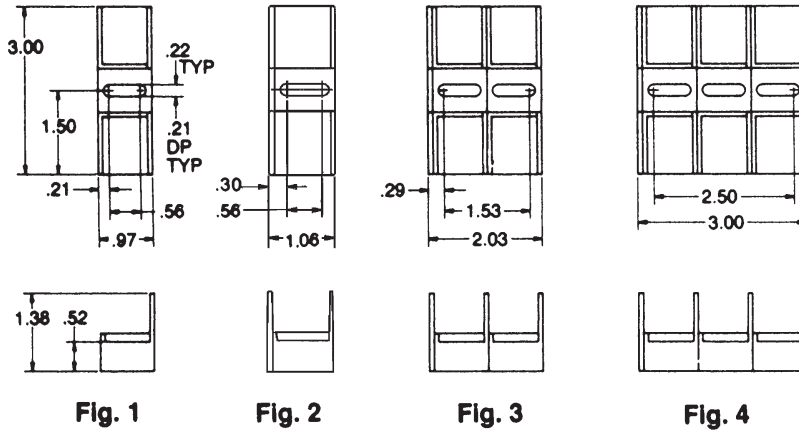


Fig. 1

Fig. 2

Fig. 3

Fig. 4

Recommended mounting screws; #10 (.190" dia)

750 Volt, 30 Ampere Fuse Holders for 14 x 51mm & 2" x 9/16" Fuses

CATALOG NUMBER	POLES	CONNECTOR		FIGURE	CONNECTOR TORQUE (IN-LB)
		TYPE	WIRE RANGE		
70305	Adder			1	
70306	1	Box	Al/Cu	2	35
70307	2		#2-14	3	
70308	3			4	
70315	Adder			1	
70316	1	Screw	Cu	2	20
70317	2		#10-14	3	
70318	3			4	
70325	Adder			1	
70326	1	Pressure	Cu	2	20
70327	2	Plate	#10-14	3	
70328	3			4	
70355	Adder			1	
70356	1	Box	Cu*	2	35
70357	2		#4-14	3	
70358	3			4	

*Copper box connectors and clips-for copper wires only.

Note: To convert 30A adder pole to single pole, use end barrier #U09322