

N Female Bulkhead Low PIM Connector Solder Attachment for TFT-5G-402



TC-402-NF-BH-LP



Times Microwave Systems Connector Specification

Configuration

- N Female Connector
- 50 Ohms
- Straight Body Geometry
- Connector Interface Types: TFT-5G-402
- Bulkhead
- Low PIM Design

Features

- Operating Frequency of 6 GHz Max.
- Excellent VSWR of 1.25:1
- PIM levels better than -160 dBc
- Silver Plated Brass Contact
- 5 µm contact plating
- IP 67 Rated

Applications

- General Purpose Test
- Rack and Panel Mount Applications
- Wireless Communications
- Custom Cable Assemblies
- Low PIM Applications
- Distributed Antenna Systems (DAS)

Description

Type N Female Bulkhead Low PIM Bulkhead Connector Solder/Solder Attachment for TFT-5G-402 Cable, part number TC-402-NF-BH-LP, from Fairview Microwave is in-stock and ships same day. This type N female connector operates up to a maximum frequency of 6 GHz and offers excellent VSWR of 1.25:1. The type N female connector also has low passive intermodulation (PIM) of -160 dBc. Fairview's TC-402-NF-BH-LP bulkhead type N connector enables designers to make external connections on product enclosures, and can be used in a variety of other rack mount and panel mount applications. Our TC-402-NF-BH-LP connector has an IP67 rating to protect against dust and temporary moisture protection under immersion conditions.

Fairview's type N female bulkhead connector TC-402-NF-BH-LP datasheet specifications and outline drawing are shown in this PDF below. Our extensive offering of RF, microwave and millimeter wave connectors allows designers to configure and customize their signal connections however they like. From providing an I/O for a board design to creating a custom cable assembly configuration, Fairview Microwave has a connector solution to meet your needs. Fairview Microwave also has the expertise to build your custom cable assemblies for you and ship them same-day.

Electrical Specifications

Description	Minimum	Typical	Maximum	Units
Frequency Range	DC		6	GHz
VSWR			1.25:1	
Insertion Loss			0.1	dB
Passive Intermodulation			-160	dBc
Operating Voltage (DC)			1,000	Vdc
Inner Conductor DC Resistance			1	mOhms
Outer Conductor DC Resistance			1	mOhms
Insulation Resistance	5,000			MOhms
Impedance		50		Ohms

Electrical Specification Notes:
Insertion Loss is $0.1 \cdot \sqrt{f(\text{GHz})}$

N Female Bulkhead Low PIM Connector
Solder Attachment for TFT-5G-402



TC-402-NF-BH-LP

Mechanical Specifications

Size

Length	1.358 in [34.49 mm]
Width	0.748 in [19.00 mm]
Height	0.748 in [19 mm]
Weight	0.03 lbs [13.61 g]
Mating Torque	10 in-lbs [[1.13 Nm]]

Material Specifications

Description	Material	Plating
Contact	Brass	Silver 5 µm
Insulation	PTFE	
Outer Conductor	Brass	Tri-Metal 3 µm
Body	Brass	Tri-Metal 3 µm
Gasket	Silicone Rubber	

Environmental Specifications

Temperature

Operating Range	-55 to +155 deg C
Ingress Protection (IP) Rating	IP 67 Rated
Shock	US MIL-STD 202, Meth. 213, Cond. I
Vibration	US MIL-STD 202, Meth. 204, Cond. B
Thermal Shock	US MIL-STD 202, Meth. 107, Cond. B

Environmental Specification Notes:
Weather Standard: TEC 60068 55/155/21

Compliance Certifications (see [product page](#) for current document)

Plotted and Other Data

Notes:

N Female Bulkhead Low PIM Connector Solder Attachment for TFT-5G-402

TC-402-NF-BH-LP



N Female Bulkhead Low PIM Connector Solder Attachment for TFT-5G-402 from Fairview Microwave is in-stock and available to ship same-day. All of our RF/microwave products are available off-the-shelf from our ISO 9001:2008 certified facilities in Lewisville, Texas. Fairview Microwave is RF on-demand.

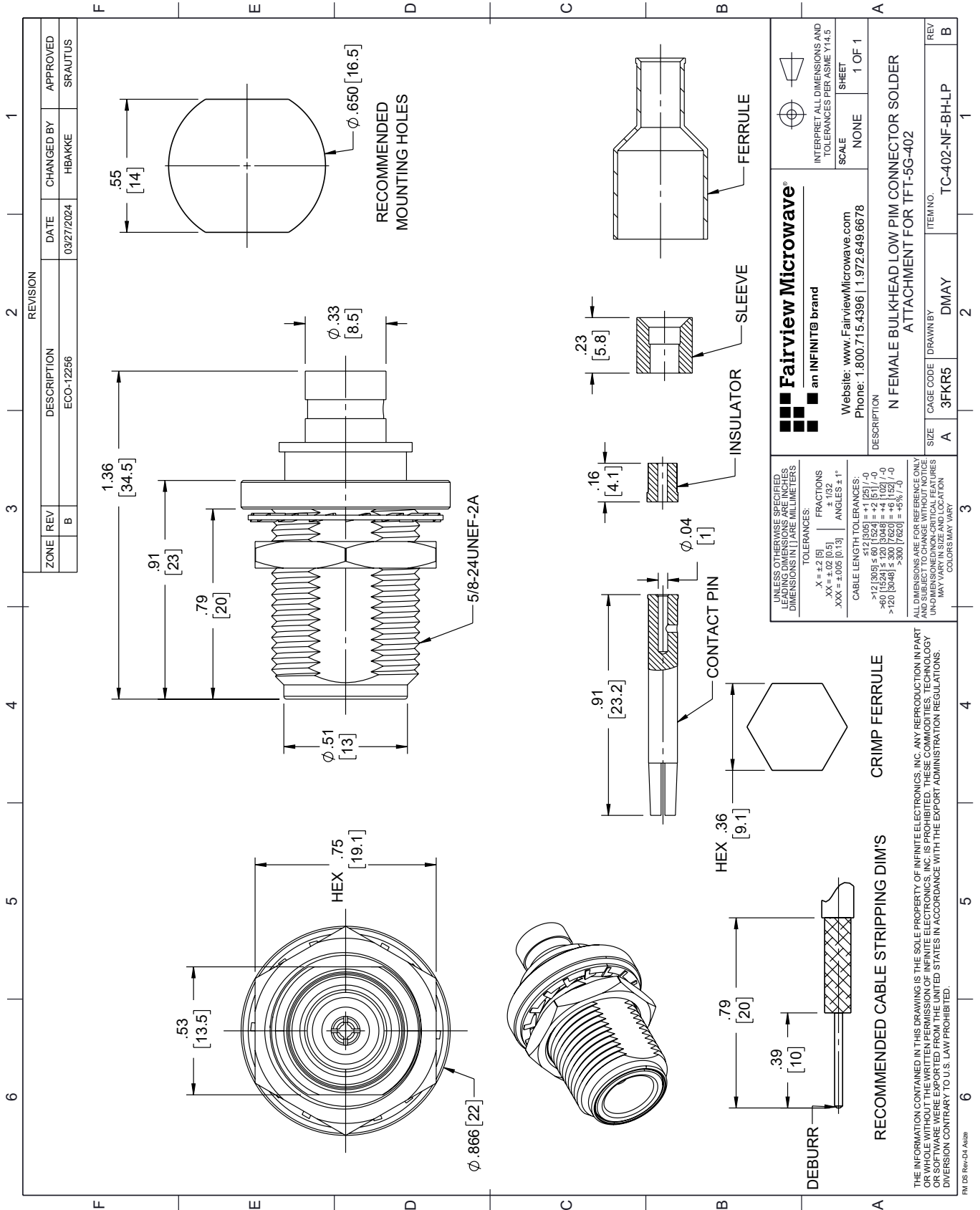
For additional information on this product, please click the following link: [N Female Bulkhead Low PIM Connector Solder Attachment for TFT-5G-402 TC-402-NF-BH-LP](#)

URL: <https://www.fairviewmicrowave.com/n-female-tft-402-connector-tc-402-nf-bh-lp-p.aspx>

The information contained within this document is accurate to the best of our knowledge and representative of the part described herein. It may be necessary to make modifications to the part and/or the documentation of the part in order to implement improvements. Fairview Microwave reserves the right to make such changes as required. Unless otherwise stated, all specifications are nominal. Fairview Microwave does not make any representation or warranty regarding the suitability of the part described herein for any particular purpose, and Fairview Microwave does not assume liability arising out of the use of any part or document.

TC-402-NF-BH-LP CAD Drawing

N Female Bulkhead Low PIM Connector Solder Attachment for TFT-5G-402



REVISION		DATE	CHANGED BY	APPROVED
ZONE	REV	DESCRIPTION	ECO-12256	
	B		HBAKKE	SRAUTUS

 Fairview Microwave an INFINIT® brand Website: www.FairviewMicrowave.com Phone: 1.800.715.4396 1.972.649.6678		INTERPRET ALL DIMENSIONS AND TOLERANCES PER ASME Y14.5 SCALE: NONE SHEET: 1 OF 1
DESCRIPTION: N FEMALE BULKHEAD LOW PIM CONNECTOR SOLDER ATTACHMENT FOR TFT-5G-402		
SIZE: A	CAGE CODE: 3FKR5	ITEM NO.: TC-402-NF-BH-LP
REV: B	DRAWN BY: DMAY	REV: B

UNLESS OTHERWISE SPECIFIED, LEADING DIMENSIONS ARE IN INCHES AND DIMENSIONS IN [] ARE MILLIMETERS.

TOLERANCES:
 .X = ±.2 [5]
 .XX = ±.02 [0.5]
 .XXX = ±.005 [0.13]
 FRACTIONS: ± 1/32
 ANGLES: ± 1°

CABLE LENGTH TOLERANCES:
 ≤ 12 [305] ± .60 [15.24] = +.2 [5.1] / -0
 > 12 [305] ≤ 60 [1524] = +.2 [5.1] / -0
 > 60 [1524] ≤ 120 [3048] = +.4 [10.2] / -0
 > 120 [3048] ≤ 300 [7620] = +.8 [20.3] / -0

ALL DIMENSIONS ARE FOR REFERENCE ONLY. UNDIMENSIONED/NON-CRITICAL FEATURES MAY VARY IN SIZE AND LOCATION. COLORS MAY VARY.

THE INFORMATION CONTAINED IN THIS DRAWING IS THE SOLE PROPERTY OF INFINITE ELECTRONICS, INC. ANY REPRODUCTION IN PART OR WHOLE WITHOUT THE WRITTEN PERMISSION OF INFINITE ELECTRONICS, INC. IS PROHIBITED. THESE COMMODITIES, TECHNOLOGY OR SOFTWARE WERE EXPORTED FROM THE UNITED STATES IN ACCORDANCE WITH THE EXPORT ADMINISTRATION REGULATIONS. DIVERSION CONTRARY TO U.S. LAW PROHIBITED.

PM DS Rev-D4 Alt2