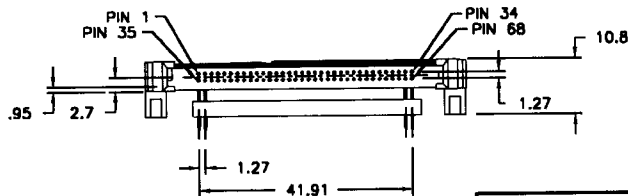
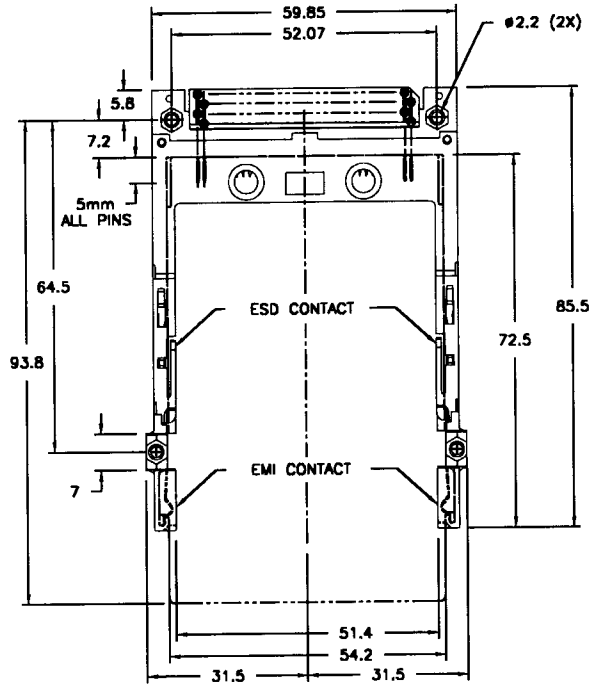
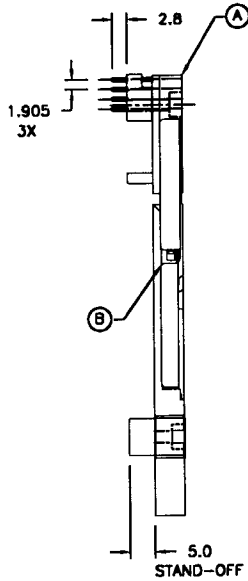


Tous droits strictement réservés. Reproduction ou communication o des tiers interdite sous quelque forme que ce soit sans autorisation écrite du propriétaire. Propriété de ©BERG ELECTRONICS. Droits de reproduction BERG ELECTRONICS INC.

All rights strictly reserved. Reproduction or issue to third parties in any form whatever is not permitted without written authority from the proprietor. Property of ©BERG ELECTRONICS Copyright BERG ELECTRONICS INC.



PRODUCT NO.	(A) HEADER	(B) GUIDE ASSY
73422-050	73421-020	92791-051



NOTES:

- HEADER ASSY**
 PLASTIC: HOUSING - LCP UL94V-0 BLACK - ABOVE PCB
 PIN: PHOSPHOR BRONZE
- GUIDE MECHANISM ASSY**
 PLASTIC GUIDE: POLYPHTHARAMID UL94V-0 BLACK
 COVER PLATE: STAINLESS STEEL
 EMI CONTACT: PHOSPHOR BRONZE
- FINISH - PIN**
 UNDER PLATING: 0.5 μm Ni
 CONTACT AREA: 0.75 μm GOLD
 SOLDER TAIL: 2.5 μm Sn-Pb
- RECOMMENDED SCREW TORQUE: 1.0 TO 1.5 MAX in-lbs. (1.2-1.7 cm-kgs).**
RECOMMENDED HOLD-DOWN: 2mm SCREWS (95121-002) AND NUTS (92869-001).

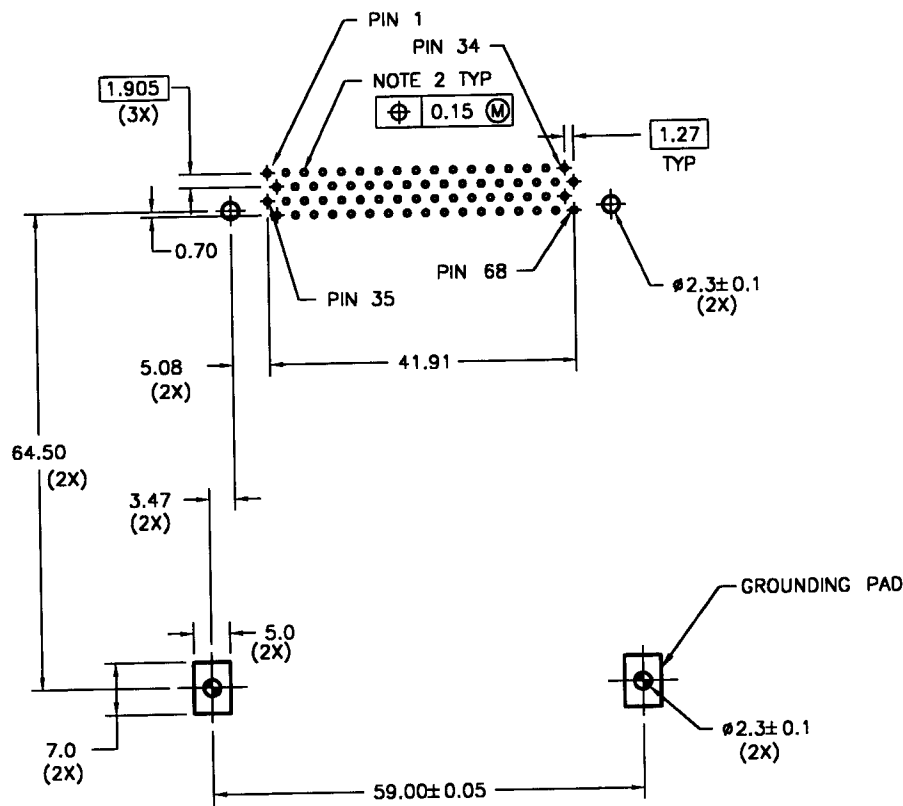
mat'l. code SEE NOTES: 1,2				tolerances unless otherwise specified		CUSTOMER COPY			
ltr	ecn no	dr	date	linear	.X ± .3	projection			
A	V70432	RHG	4/10/97		.XX ± .13			product family	PC CARD
				angles	.XXX ± .051		scale	size	dwg no
					0° ± Z'	1/1	A4	73422	1 of 2
sheet index	revision sheet	A	A						
		1	2						

cage code
22526

Tous droits strictement réservés. Reproduction ou communication à des tiers interdite sous quelque forme que ce soit sans autorisation écrite du propriétaire. Propriété de ©BERG ELECTRONICS. Droits de reproduction BERG ELECTRONICS INC.



All rights strictly reserved. Reproduction or issue to third parties in any form whatever is not permitted without written authority from the proprietor. Property of ©BERG ELECTRONICS Copyright BERG ELECTRONICS INC.



NOTES:

1. ALL TOLERANCES ± 0.15 UNLESS NOTED.
2. RECOMMENDED DIAMETER IS $\phi 1.0$ FOR PROCESSES USING PASTE REFLOW, HOLE MAY BE AS SMALL AS $\phi 0.79$

P.C.B. LAYOUT AS ASSEMBLED

mat'l. code				tolerances unless otherwise specified		CUSTOMER COPY		BERG ELECTRONICS		
ltr	ecn no	dr	date	linear	.X $\pm .3$	projection	title			
A					.XX $\pm .13$		RIGHT-ANGLE NON-EJECT HEADER ASSEMBLY	product family		code
					.XXX $\pm .051$			PC CARD	-	
				angles	$0^\circ \pm 2'$	mm	size		sheet	
				dr	R.GRAPE 4/10/97		A4	73422		2 of 2
				engr	D BRANN 4/10/97			dwg no		
				chr	D BRANN 4/10/97			scale		
				appd	D BRANN 4/10/97			1/1		
sheet index	revision sheet								cage code	
								22526		