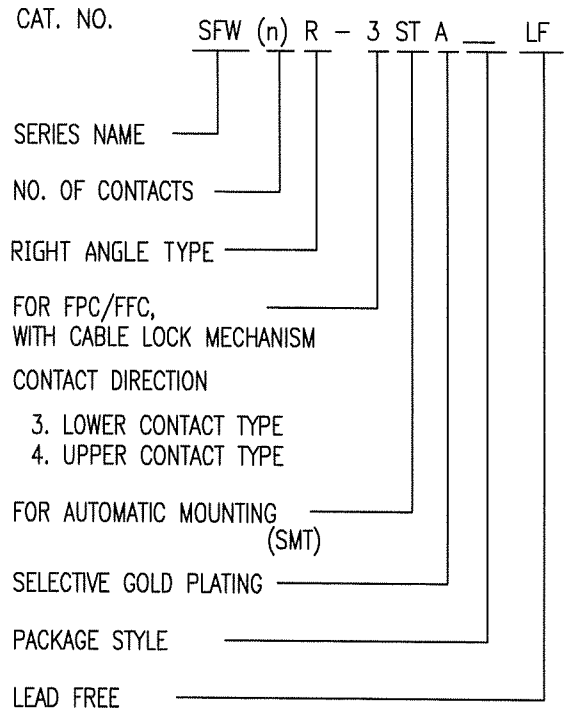


CAT. NO. & DIMENSIONS

NO. OF CONTACTS (n)	CAT. NO.	DIMENSIONS (NOTE2)			
		A ± 0.2	B ± 0.2	C ± 0.2	D ± 0.1
4	SFW4R-3/4STA_LF	9.8	8.6	3.0	3.92
5	SFW5R-3/4STA_LF	10.8	9.6	4.0	4.92
6	SFW6R-3/4STA_LF	11.8	10.6	5.0	5.92
7	SFW7R-3/4STA_LF	12.8	11.6	6.0	6.92
8	SFW8R-3/4STA_LF	13.8	12.6	7.0	7.92
9	SFW9R-3/4STA_LF	14.8	13.6	8.0	8.92
10	SFW10R-3/4STA_LF	15.8	14.6	9.0	9.92
11	SFW11R-3/4STA_LF	16.8	15.6	10.0	10.92
12	SFW12R-3/4STA_LF	17.8	16.6	11.0	11.92
13	SFW13R-3/4STA_LF	18.8	17.6	12.0	12.92
14	SFW14R-3/4STA_LF	19.8	18.6	13.0	13.92
15	SFW15R-3/4STA_LF	20.8	19.6	14.0	14.92
16	SFW16R-3/4STA_LF	21.8	20.6	15.0	15.92
17	SFW17R-3/4STA_LF	22.8	21.6	16.0	16.92
18	SFW18R-3/4STA_LF	23.8	22.6	17.0	17.92
19	SFW19R-3/4STA_LF	24.8	23.6	18.0	18.92
20	SFW20R-3/4STA_LF	25.8	24.6	19.0	19.92
21	SFW21R-3/4STA_LF	26.8	25.6	20.0	20.92
22	SFW22R-3/4STA_LF	27.8	26.6	21.0	21.92
23	SFW23R-3/4STA_LF	28.8	27.6	22.0	22.92
24	SFW24R-3/4STA_LF	29.8	28.6	23.0	23.92
25	SFW25R-3/4STA_LF	30.8	29.6	24.0	24.92
26	SFW26R-3/4STA_LF	31.8	30.6	25.0	25.92
27	SFW27R-3/4STA_LF	32.8	31.6	26.0	26.92
28	SFW28R-3/4STA_LF	33.8	32.6	27.0	27.92
29	SFW29R-3/4STA_LF	34.8	33.6	28.0	28.92
30	SFW30R-3/4STA_LF	35.8	34.6	29.0	29.92



NOTES

1. THIS PRODUCT IS THE CONNECTOR USED FOR FPC AND COPE WITH AUTOMATIC MOUNTING (SMT).
2. SEE PART DRAWINGS FOR DIMENSIONS A~D.
3. THIS PRODUCT IS THE CONNECTOR WITH CABLE LOCK MECHANISM.

mat'l. code				surface 58 / tolerance ISO 1302 <input checked="" type="checkbox"/> ISO 406 / ISO 1101		projection		product family 58RF		CODE JP	
ltr		ecn no		dr		date		tolerances unless otherwise specified		title	
A								angles linear		CAT NO. TABLE FOR 1mm SPACING SMT CONNECTOR (Cat. No. SFW__R-3/4STA__LF)	
								mm		scale X	
				dr		S. Minda 2011-2-14		FCI		dwg no sheet 2 of 8 size	
				enrg		S. Minda 2011-2-14				10117343 A4	
				chr		K. Kamada 2011-2-14					
				appd		M. G. 14/11					
sheet index		revision sheet								type Product Customer Drawing	
										Rev. A	



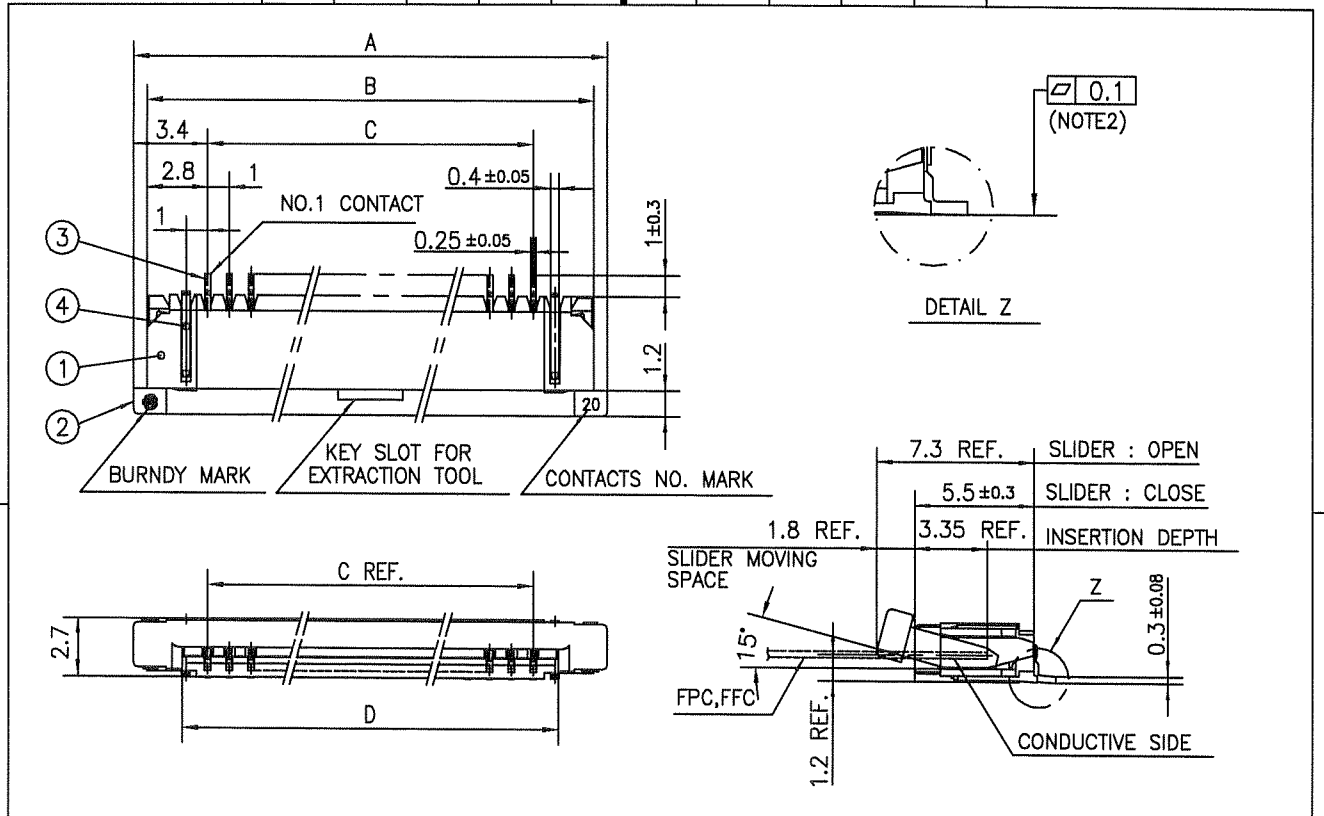
FCIconnect.com

Copyright FCI.



FCIconnect.com

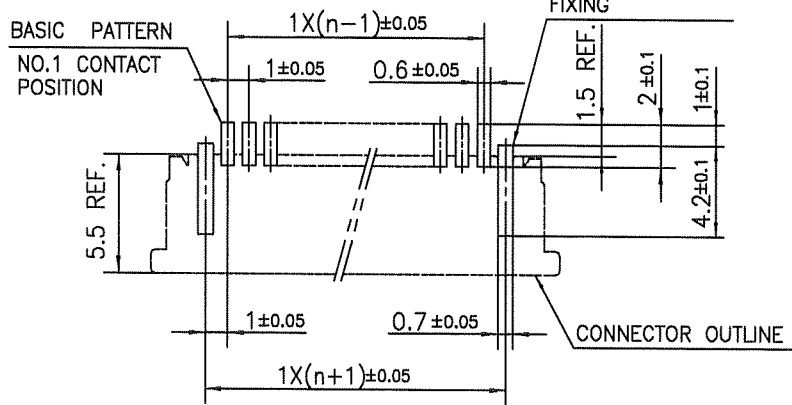
Copyright FCI.



PT. NO.	PARTS NAME	MATERIAL	Q'TY	NOTE
1	HOUSING	PPS RESIN GLASS REINFORCED (UL94V-0)	1	COLOR:BLACK
2	SLIDER	PPS RESIN GLASS REINFORCED (UL94V-0)	1	COLOR:BROWN
3	CONTACT	PHOSPHOR BRONZE	n	CONTACT AREA : GOLD TARMINAL AREA : TIN
4	MOUNTING PLATE		2	PLATING:TIN

n : NO. OF CONTACTS

RECOMMENDED PC BOARD LAYOUT (COMPONENT SIDE)

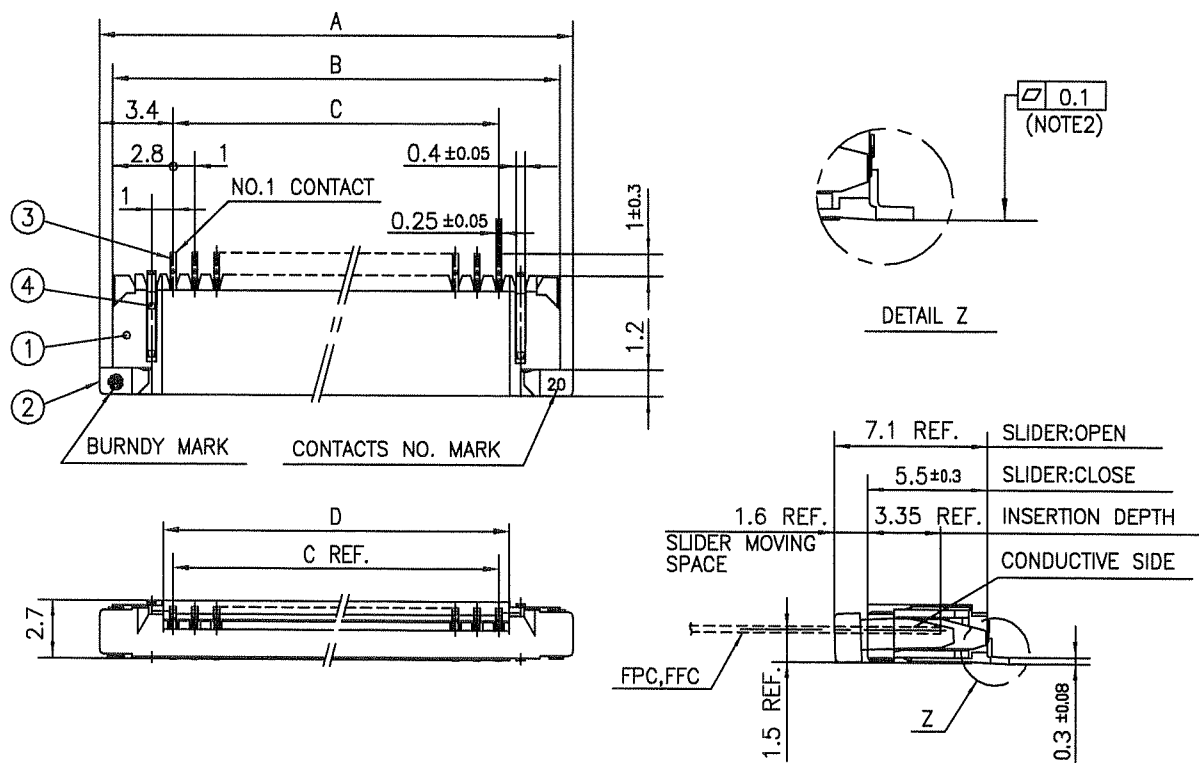


NOTES

1. THIS PRODUCT IS THE CONNECTOR USED FOR FPC AND COPES WITH AUTOMATIC MOUNTING (SMT).
2. FLATNESS FOR CONTACT TERMINAL HOUSING MUST BE WITHIN TOLERANCE IN Z PORTION DETAILED DRAWING.
3. THIS PRODUCT IS LOWER CONTACT TYPE CONNECTOR WITH CABLE LOCK MECHANISM.
4. THIS PRODUCT MEETS EUROPEAN UNION DIRECTIVES AND OTHER COUNTRY REGULATIONS AS DESCRIBED IN GS-22-008.
5. THE HOUSING WILL WITHSTAND EXPOSURE TO 260°C PEAK TEMPERATURE FOR 10 SECONDS IN A REFLOW SOLDERING OVEN.

mat'l. code				surface 58 / tolerance ISO 1302 ✓ ISO 406 ISO 1101		projection		product family 58RF		CODE JP	
ltr ecn no dr date				tolerances unless otherwise specified		mm		title			
A				angles linear ±0.2		mm		1mm SPACING SMT CONNECTOR (Cat. No. SFW__R-3STA__LF)			
				dr		scale		dwg no sheet 3 of 8 size			
				enr		FCI		10117343 A4			
				chr				type Product Customer Drawing			
				appd							
sheet index		revision sheet								Rev. A	

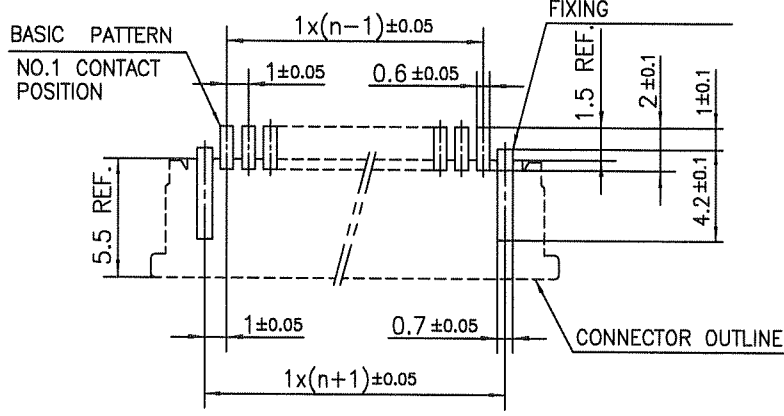
form: A4



PT. NO.	PARTS NAME	MATERIAL	Q'TY	NOTE
1	HOUSING	PPS RESIN GLASS REINFORCED (UL94V-0)	1	COLOR:BLACK
2	SLIDER	PPS RESIN GLASS REINFORCED (UL94V-0)	1	COLOR:BROWN
3	CONTACT	PHOSPHOR BRONZE	n	CONTACT AREA : GOLD TARMINAL AREA : TIN
4	MOUNTING PLATE		2	PLATING:TIN

n : NO. OF CONTACTS

RECOMMENDED PC BOARD LAYOUT
(COMPONENT SIDE)



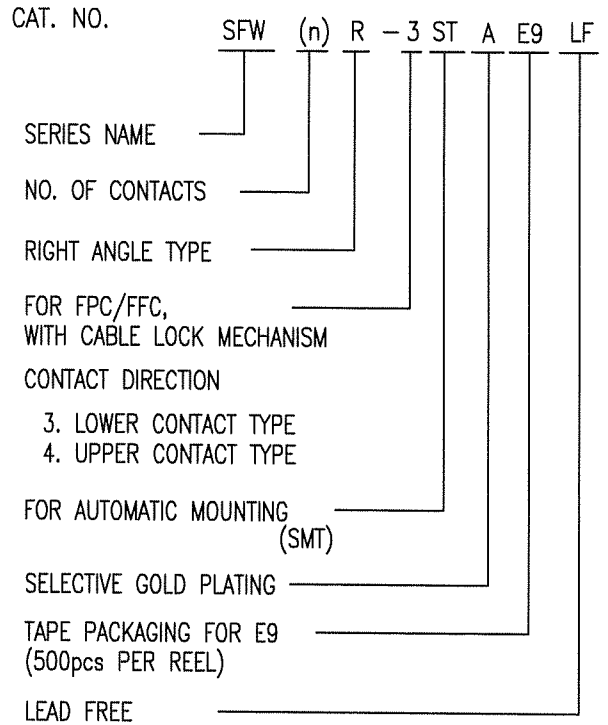
NOTES

1. THIS PRODUCT IS THE CONNECTOR USED FOR FPC AND COPEs WITH AUTOMATIC MOUNTING (SMT).
2. FLATNESS FOR CONTACT TERMINAL HOUSING MUST BE WITHIN TOLERANCE IN Z PORTION DETAILED DRAWING.
3. THIS PRODUCT IS UPPER CONTACT TYPE CONNECTOR WITH CABLE LOCK MECHANISM.
4. THIS PRODUCT MEETS EUROPEAN UNION DIRECTIVES AND OTHER COUNTRY REGULATIONS AS DESCRIBED IN GS-22-008.
5. THE HOUSING WILL WITHSTAND EXPOSURE TO 260°C PEAK TEMPERATURE FOR 10 SECONDS IN A REFLOW SOLDERING OVEN.

mat'l. code		surface 58 / ISO 1302		tolerance ISO 406 / ISO 1101		projection		product family 58RF		CODE JP	
ltr		ecn no		dr		date		title		1mm SPACING SMT CONNECTOR (Cat. No. SFW__R-4STA__LF)	
A								mm		scale X	
sheet index		revision sheet		dr		engr		dwg no		sheet 4 of 8 size A4	
				S. W. H. 2011-2-14		S. W. H. 2011-2-14		10117343			
				Y. Kamoto 2011-2-14		M. G. M. 2011-2-14		type Product Customer Drawing			
										Rev. A	

CAT. NO. & DIMENSIONS

NO. OF CONTACTS (n)	CAT. NO. (NOTE2)	DIMENSIONS (NOTE3)		
		E max.	F ± 0.3	G ± 0.1
4	SFW4R-3/4STAE9LF	22.4	16	—
5	SFW5R-3/4STAE9LF	30.4	24	—
6	SFW6R-3/4STAE9LF	30.4	24	—
7	SFW7R-3/4STAE9LF	30.4	24	—
8	SFW8R-3/4STAE9LF	30.4	24	—
9	SFW9R-3/4STAE9LF	30.4	24	—
10	SFW10R-3/4STAE9LF	30.4	24	—
11	SFW11R-3/4STAE9LF	30.4	24	—
12	SFW12R-3/4STAE9LF	30.4	24	—
13	SFW13R-3/4STAE9LF	38.4	32	28.4
14	SFW14R-3/4STAE9LF	38.4	32	28.4
15	SFW15R-3/4STAE9LF	38.4	32	28.4
16	SFW16R-3/4STAE9LF	38.4	32	28.4
17	SFW17R-3/4STAE9LF	50.4	44	40.4
18	SFW18R-3/4STAE9LF	50.4	44	40.4
19	SFW19R-3/4STAE9LF	50.4	44	40.4
20	SFW20R-3/4STAE9LF	50.4	44	40.4
21	SFW21R-3/4STAE9LF	50.4	44	40.4
22	SFW22R-3/4STAE9LF	50.4	44	40.4
23	SFW23R-3/4STAE9LF	50.4	44	40.4
24	SFW24R-3/4STAE9LF	50.4	44	40.4
25	SFW25R-3/4STAE9LF	50.4	44	40.4
26	SFW26R-3/4STAE9LF	50.4	44	40.4
27	SFW27R-3/4STAE9LF	50.4	44	40.4
28	SFW28R-3/4STAE9LF	62.4	56	52.4
29	SFW29R-3/4STAE9LF	62.4	56	52.4
30	SFW30R-3/4STAE9LF	62.4	56	52.4



NOTES

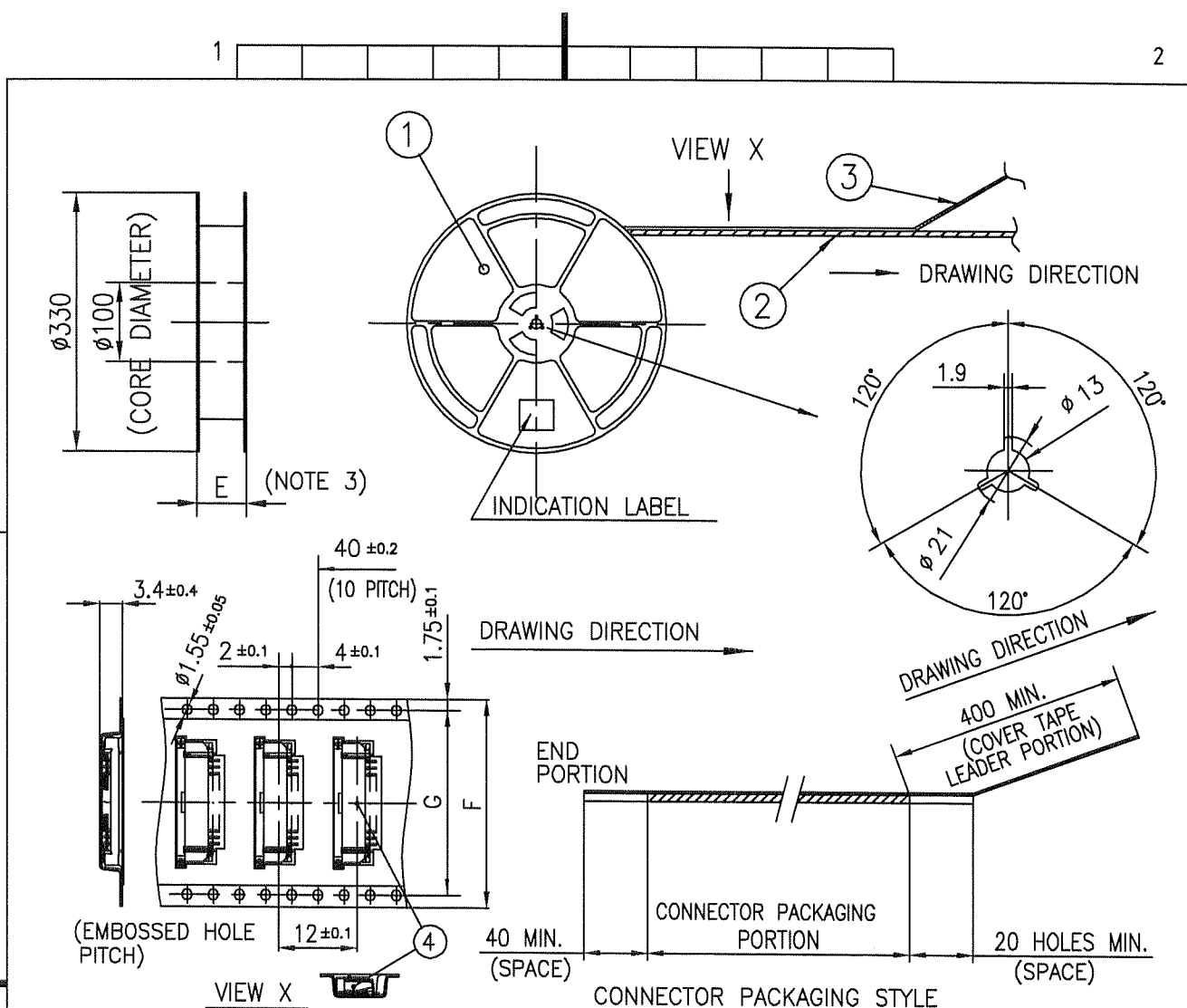
1. THIS PRODUCT IS THE CONNECTOR USED FOR FPC/FFC AND COPEES WITH AUTOMATIC MOUNTING (SMT).
2. THIS CATALOG NO. INDICATES PLASTIC TAPE PACKAGED CONNECTOR.
3. SEE PART DRAWINGS FOR DIMENSIONS E~G.

mat'l. code -				surface 58 / tolerance ISO 1302 <input checked="" type="checkbox"/> ISO 406 / ISO 1101		projection		product family 58RF		CODE JP	
ltr ecn no dr date				tolerances unless otherwise specified				title CAT NO. TABLE FOR PLASTIC TAPE PACKAGED 1mm SPACING SMT CONNECTOR (Cat. No. SFW__R-3/4STAE9LF)			
A				angles linear		mm		scale <input checked="" type="checkbox"/>			
				dr <i>S. Nishida</i> 2011-2-14				dwg no sheet 5 of 9		size A4	
				enrg <i>S. Nishida</i> 2011-2-14				10117343			
				chr <i>Y. Kamada</i> 2011-2-14				type Product Customer Drawing			
				appd <i>M. Chino</i> Feb 14/11							
sheet index		revision sheet								Rev. A	



FCIconnect.com

Copyright FCI.



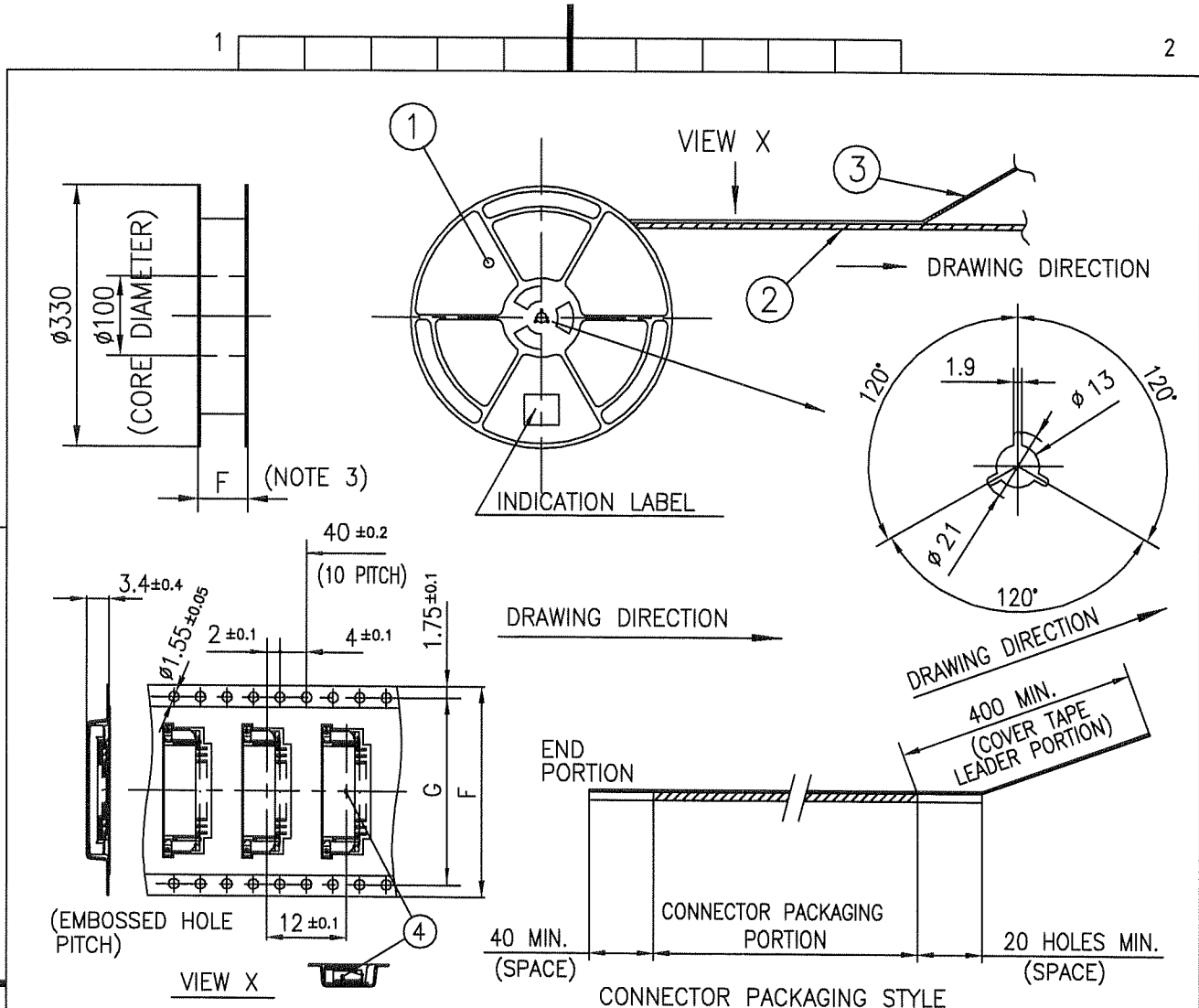
PT. NO.	PARTS NAME	CAT. NO.	MATERIAL	Q'TY	NOTE
1	REEL	_____	POLYSTYRENE	1	COLOR : WHITE or BLACK
2	PLASTIC (EMBOSS) TAPE	_____	PET	_____	COLOR : TRANSPARENCY (CLEAR)
3	COVER	_____	POLYESTER	_____	COLOR : TRANSPARENCY (CLEAR)
4	CONNECTOR	SFW__R-3STA__LF	SEE ATTACHED DWG.	500	LOWER CONTACT TYPE

NOTES

1. THIS IS PLASTIC TAPE PACKAGED CONNECTOR USED FOR FPC/FFC AND COPES WITH AUTOMATIC MOUNTING (SMT).
2. SEE JIS C 0806 (PACKING OF ELECTRONIC COMPONENTS ON CONTINUOUS TAPES (SURFACE MOUNTING DEVICES)) FOR SHAPE AND DIMENSIONS OF PLASTIC (EMBOSS) TAPE AND REEL.
3. E DIMENSION IS PORTION OF THE CORE.

mat'l. code		surface ISO 1302 <input checked="" type="checkbox"/>		tolerance ISO 406 <input checked="" type="checkbox"/>		projection		product family 58RF		CODE JP	
ltr		ecn no		dr		date		title		PLASTIC TAPE PACKAGED 1mm SPACING SMT CONNECTOR (Cat. No. SFW__R-3STA9LF)	
A								mm		scale \times	
sheet index		revision sheet		dr		engr		dwg no		sheet 6 of 9 size	
				S. Hatcher 2011-2-14		S. Hatcher 2011-2-14		10117343		A4	
				chr Y. Zamora 2011-2-14		appd		type		Product Customer Drawing	
				Feb 12/11						Rev. A	

form: A4



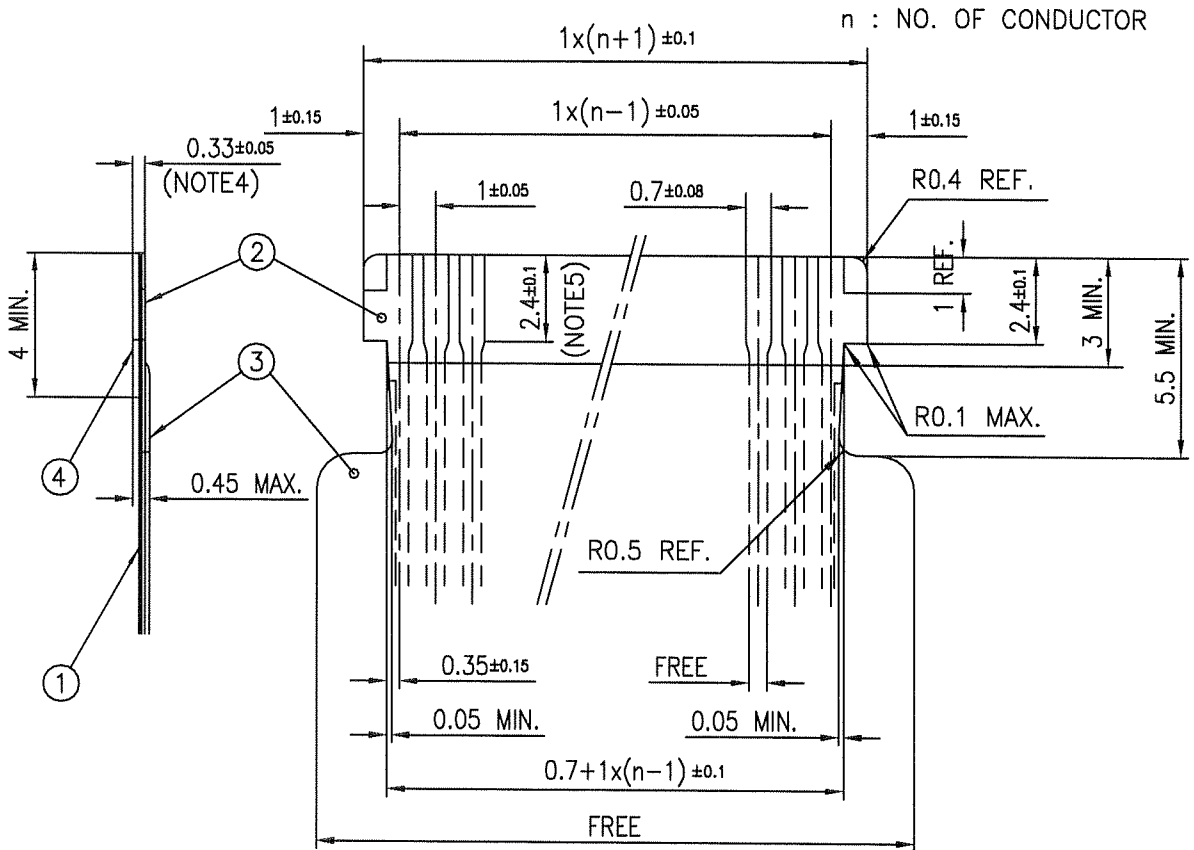
PT. NO.	PARTS NAME	CAT. NO.	MATERIAL	Q'TY	NOTE
1	REEL	_____	POLYSTYRENE	1	COLOR : WHITE or BLACK
2	PLASTIC (EMBOSS) TAPE	_____	PET	_____	COLOR : TRANSPARENCY (CLEAR)
3	COVER	_____	POLYESTER	_____	COLOR : TRANSPARENCY (CLEAR)
4	CONNECTOR	SFW_R-2STA_LF	SEE ATTACHED DWG.	500	UPPER CONTACT TYPE

NOTES

- THIS IS PLASTIC TAPE PACKAGED CONNECTOR USED FOR FPC/FFC AND COPES WITH AUTOMATIC MOUNTING (SMT).
- SEE JIS C 0806 (PACKING OF ELECTRONIC COMPONENTS ON CONTINUOUS TAPES (SURFACE MOUNTING DEVICES)) FOR SHAPE AND DIMENSIONS OF PLASTIC (EMBOSS) TAPE AND REEL.
- E DIMENSION IS PORTION OF THE CORE.

mat'l. code				surface ISO 1302 <input checked="" type="checkbox"/>	tolerance ISO 406 <input checked="" type="checkbox"/>	projection	product family 58RF	CODE JP
ltr	ecn no	dr	date	tolerances unless otherwise specified		mm	title PLASTIC TAPE PACKAGED 1mm SPACING SMT CONNECTOR (Cat. No. SFW_R-4STAE9LF)	
A				angles linear	±5			
				±5°		scale	dwg no sheet 7 of 9 size	
				dr	S. H. [Signature]	2011-2-14	10117343 A4	
				enr	S. H. [Signature]	2011-2-14	type Product Customer Drawing	
				chr	Y. Kuroki	2011-2-14		
				appd	[Signature]	Feb 12/11	Rev. A	
sheet index	revision sheet							

RECOMMENDED CABLE (FPC)



PT. NO.	PARTS NAME	MATERIAL	THICKNESS (um)
1	BASE FILM	POLYIMIDE OR POLYESTER OR EQUAL	25
2	CONDUCTOR	COPPER FOIL(PLATING : GOLD)	35
3	OVERLAY	POLYIMIDE OR POLYESTER OR EQUAL	—
4	SUPPORTING TAPE	POLYESTER OR POLYIMIDE OR EQUAL	188

NOTES

1. THIS DRAWING INDICATES THE FPC USED THE CONNECTOR WITH CABLE LOCK MECHANISM.
2. NO BURR AT EACH PORTION.
3. NO PEELING IN COMMON USE.
4. TOTAL THICKNESS LIMIT OF EACH MATERIAL (INCLUDING ADHESIVE AGENT) IS SPECIFIED.
5. THIS DIMENSION INDICATES THE RANGE FOR 0.7 ±0.08 CONDUCTOR WIDTH.

mat'l. code		surface 58 / tolerance ISO 1302 <input checked="" type="checkbox"/> ISO 406 ISO 1101		projection		product family 58RF		CODE JP	
ltr		ecn no		dr		date		tolerances unless otherwise specified	
A								angles linear	
								mm	
								scale \times	
		dr		S. Mithal		2011-2-14		FPC	
		enr		S. Mithal		2011-2-14		dwg no	
		chr		Y. Kusudo		2011-2-14		sheet 8 of 8	
		appd		M. Goto		Feb 11		size A4	
sheet index		revision sheet						10117343	
								type Product Customer Drawing	
								Rev. A	