

REFERENCE SPECIFICATIONS

-NFC 93425 (in compliance with HE 501)

PHYSICAL CHARACTERISTICS

-INSULATOR MATERIAL: THERMOPLASTIC UL94V0

-CONTACT MATERIAL: PHOSPHOR BRONZE,  
GOLD OVER NICKEL

-ACCESSORIES: BRASS,cadmium plated yellow passivation

-SHELLS: STEEL,cadmium plated yellow passivation

ELECTRICAL CHARACTERISTICS

-NOMINAL CURRENT: 7.5A

-CONTACT RESISTANCE: <= 7.3 m ohms

-CONTACT/CONTACT : >=1000 V

-CONTACT/GROUND : >=1200 V

-INSULATION RESISTANCE: >=5000 MOhms

ENVIRONMENTAL CHARACTERISTICS

- CLIMATIC CATEGORY: 55/125/56

TEMPERATURE RANGE -55°C TO +125°C

DAMP HEAT STEADY STATE 56 DAYS

SALT SPRAY 48 HOURS

MECHANICAL CHARACTERISTICS

- RETENTION AGAINST TORQUE: - Threaded insert: 0.7 N.m minimum

- Female screw : 0.5 N.m minimum

# DBML25S400

Series

Shell size: **E A B C D**  
see sheet 2

Front accessory definition  
see sheet 2

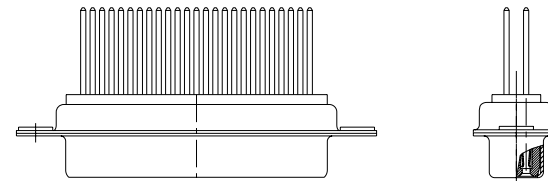
- Blank** : without accessory
- F** : floating mounting
- L** : threaded insert M3
- O** : threaded insert UNC 4-40
- V** : female screw UNC 4-40

Contact number (see sheet 2)  
**9,15,25,37,50**

Contacts  
**S** : Socket

Termination type  
**4** 3 level wire wrap contact

Plating  
**00** : 500 matings/unmatings  
**43** : 500 matings/unmatings for harsh environment



25 WAY for Example

rev	ecn no	dr	date
A	LS06-0174	MPE	2006/11/14
B	LS07-0273	MPE	2007/10/30
-	-	-	-
-	-	-	-
-	-	-	-
-	-	-	-

www.fciconnect.com		surface	tolerance std	projection	mm	
		ISO 1302	ISO 406 ISO 1101	mm		
		TOLERANCES UNLESS OTHERWISE SPECIFIED				
Dr	M PESSON	2006/11/14	ANGULAR	0.X	±0.3	size A2 Scale 2:1
Eng	P LEGARE	2006/11/14	LINEAR	0.xx	±0.1	ECN LS07-0273
Chr	P LEGARE	2006/11/14	0° ±2°	0.xxx	±0.05	Spec.ref
Appr	P LEGARE	2006/11/14	Product family			
FCJ		SUB FEMALE DM HE501 series		ang no	C01-8637-1735	
		with 3 level wire wrap contact		Rev.	B	
catalog no		CUSTOMER		sheet 1 of 4		

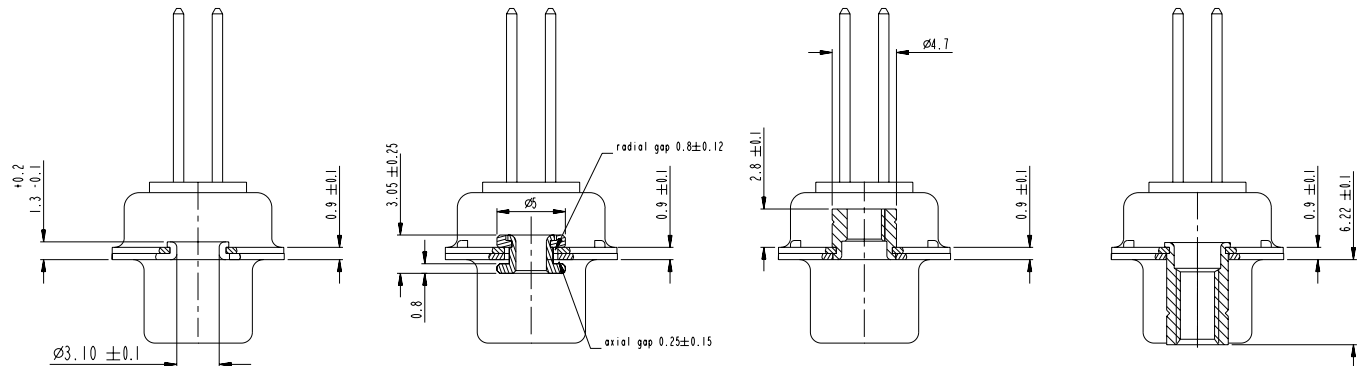
Copyright FCJ.

1 2 3 4 5 6 7 8

A

B

C



FRONT ACCESSORY	<b>Blank</b> without	<b>F</b> floating mounting	<b>L</b> insert M3 <b>O</b> insert UNC 4.40	<b>V</b> female screw UNC 4.40
-----------------	----------------------	----------------------------	--	--------------------------------

PART NUMBER	FRONT ACCESSORY
D*MxxS443	without
D*MFxxS443	floating mounting
D*MLxxS443	insert M3
D*MOxxS443	insert UNC 4.40
D*MVxxS443	female screw UNC 4.40

shell size	Contact number
#	XX
E	09
A	15
B	25
C	37
D	50

PART NUMBER	FRONT ACCESSORY
D*MxxS400	without
D*MFxxS400	floating mounting
D*MLxxS400	insert M3
D*MOxxS400	insert UNC 4.40
D*MVxxS400	female screw UNC 4.40

CROSS REFERENCES HE501 and FCI

HE501 P/N	FCI P/N	FRONT ACCESSORY
HE501NxxKS3	D*MxxS400	without
HE501FxxKS3	D*MFxxS400	floating mounting

Copyright FCI, FCI

www.fciconnect.com		surface -	tolerance std	projection	mm
		ISO 1302	ISO 406 ISO 1101		
		TOLERANCES UNLESS OTHERWISE SPECIFIED			
Dr	M PESSON	2006/11/14	ANGULAR	0.X ±0.3	size A2 Scale 2:1
Eng	P LEGARE	2006/11/14	LINEAR	0.XX ±0.1	
Chr	P LEGARE	2006/11/14	0° ±2°	0.XXX ±0.05	ECN LS07-0273
Appr	P LEGARE	2006/11/14	Product family	-	Spec ref
		SUB FEMALE DM HE501 series		ang no	Rev.
		with 3 level wire wrap contact		C01-8637-1735	B
		catalog no	CUSTOMER	sheet 2 of 4	

SCALE: 4

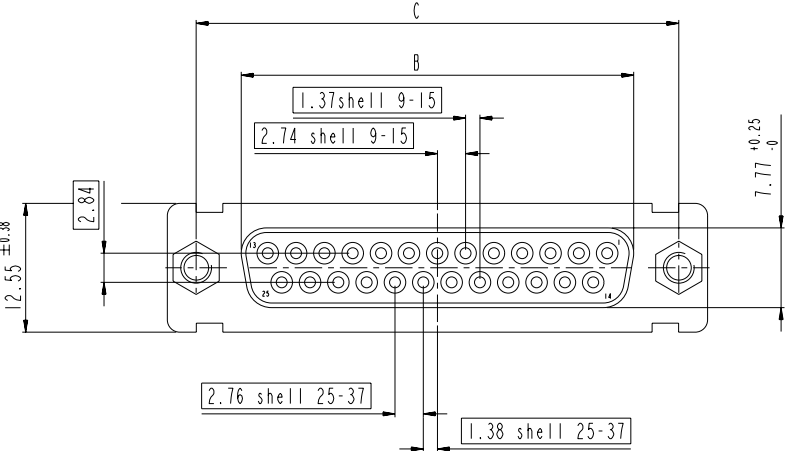
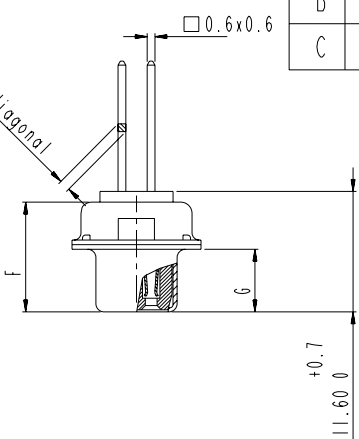
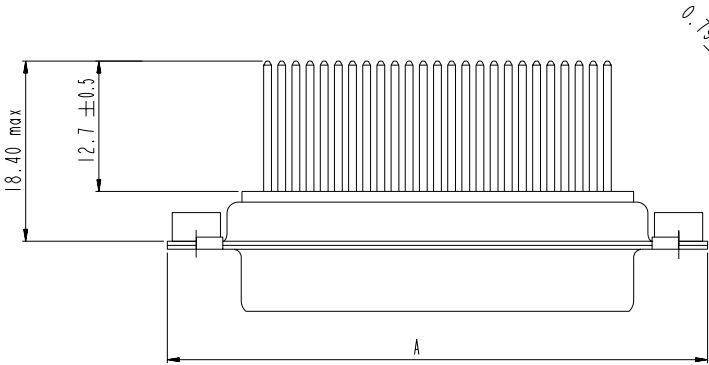
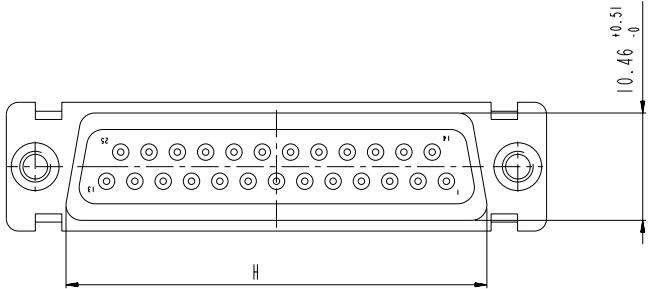
REV 7 - 2006-04-17

1 2 3 4 5 6 7 8

DIMENSIONS FOR SHELL E,A,B,C

Dimensions are in millimeters

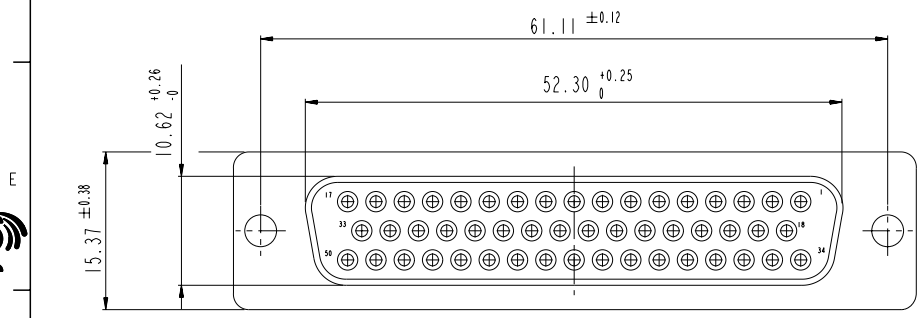
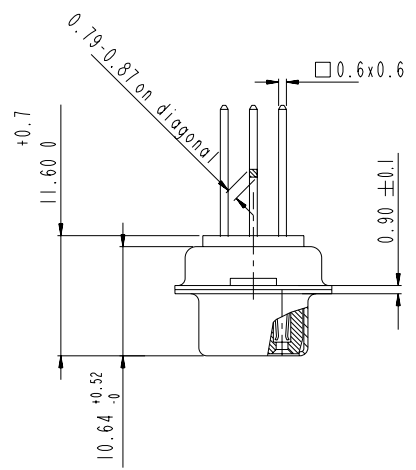
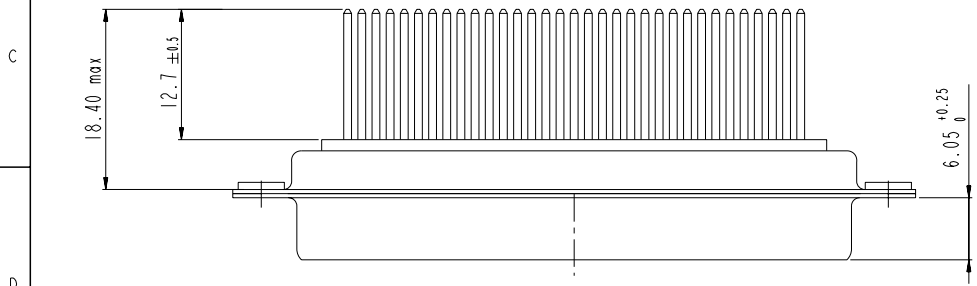
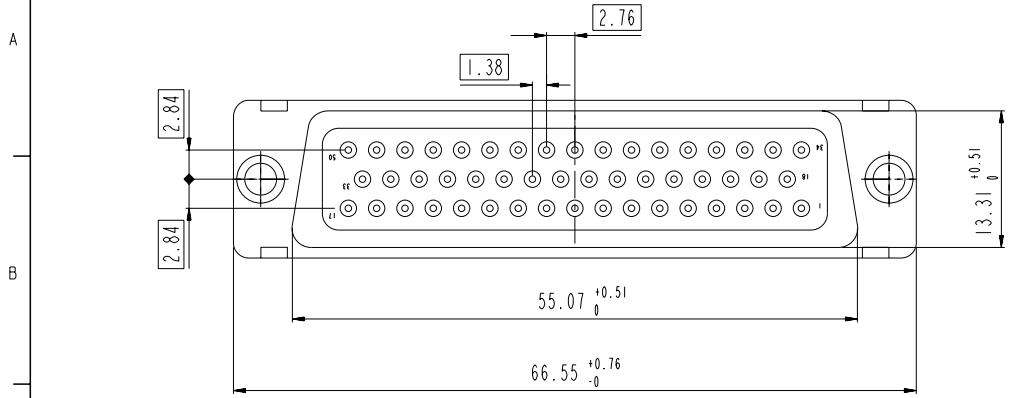
Shell size	Number of contacts	A <sup>+0.76</sup> <sub>-0</sub>	B <sup>+0.25</sup> <sub>-0</sub>	C ±0.12	F <sup>+0.57</sup> <sub>-0</sub>	G <sup>+0.25</sup> <sub>-0</sub>	H <sup>+0.51</sup> <sub>-0</sub>
E	09	30.43	16.21	24.99	10.64	6.05	19.02
A	15	38.76	24.54	33.32	10.64	6.05	27.25
B	25	52.65	38.25	47.04	10.64	6.05	41.02
C	37	68.94	54.71	63.50	10.64	6.05	57.45



Copyright FCJ

www.fciconnect.com		surface <input checked="" type="checkbox"/> ISO 1302	tolerance std ISO 406 ISO 1101	projection	mm
		TOLERANCES UNLESS OTHERWISE SPECIFIED			
Dr M PESSON	2006/11/14	ANGULAR	0.X ±0.3	size A2	Scale 2:1
Eng P LEGARE	2006/11/14	LINEAR	0.XX ±0.1		
Chr P LEGARE	2006/11/14	0° ±2°	0.XXX ±0.05	ECN	LS07-0273
Appr P LEGARE	2006/11/14	Product family	- Spec ref		
	SUB FEMALE DM HE501 series with 3 level wire wrap contact		ang no C01-8637-1735	Rev. B	
catalog no			CUSTOMER	sheet 3 of 4	

DIMENSIONS FOR SHELL SIZE D (50 CONTACTS)



Copyright FCI. **FCI**

www.fciconnect.com		surface ISO 1302	tolerance std ISO 406 ISO 1101	projection mm
		TOLERANCES UNLESS OTHERWISE SPECIFIED		
Dr	M PESSON	2006/11/14	ANGULAR	0.X ±0.3
Eng	P LEGARE	2006/11/14	LINEAR	0.XX ±0.1
Chr	P LEGARE	2006/11/14	0° ±2'	0.XXX ±0.05
Appr	P LEGARE	2006/11/14	Product family	- Spec ref
<b>FCI</b>		SUB FEMALE DM HE501 series		ang no C01-8637-1735
		with 3 level wire wrap contact		Rev. B
catalog no		CUSTOMER		sheet 4 of 4