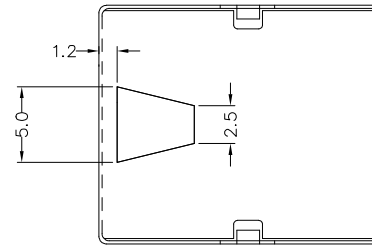
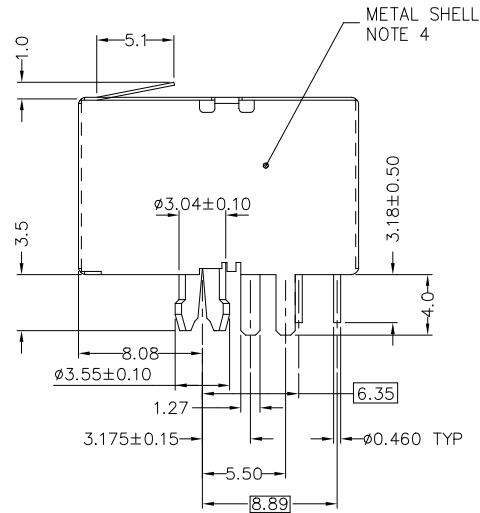
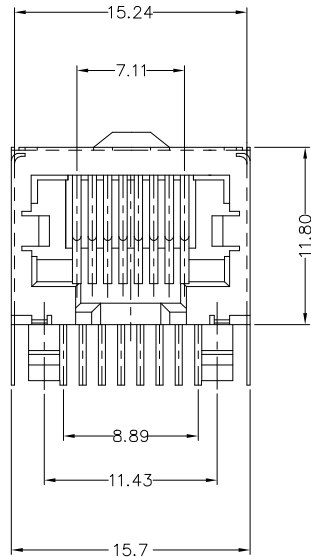


PART NUMBER
94927-088LF & 94927-088BLF



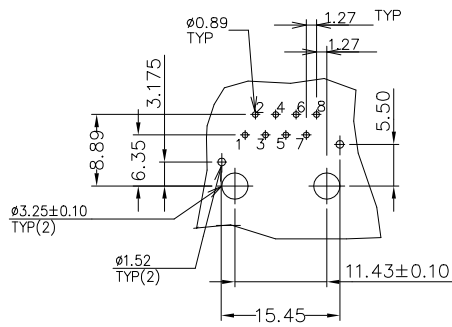
NOTES:

1. RECOMMENDED P.C.B. THICKNESS 1.60 MM
2. HOUSING MAT'L: NYLON 66, 25% GLASS REINFORCED.
3. CONTACTS: PHOS BRONZE ALLOY UNS-C51000, ϕ 0.460 ROUND WIRE, PLATING SEE TABLE.
- ④ METAL SHELL MATERIAL:
COPPER ALLOY, 0.20MM THICK.
FINISH: FOR 94927-XXX,TIN-LEAD, 100u" THICK MIN.
FOR 94927-XXX(B)LF,PURE BRIGHT TIN 80u" THICK MIN.
- ⑤ INSULATED TAPE: 3M COMPANY TAPE #5
6. PACKAGING PER GES-14-361, USING TUBE
7. IF LF P/N THE PRODUCT MEETS EUROPEAN UNION DIRECTIVES AND OTHER COUNTRY REGULATIONS AS DESCRIBED IN GS-22-008
8. THE HOUSING WILL WITHSTAND EXPOSURE TO 260° PEAK TEMPERATURE FOR 10 SECONDS IN A WAVE SOLDER APPLICATION WITH A 1.60mm MINIMUM THICK CIRCUIT BOARD
9. IF LF P/N PACKAGING MEETS GS-14-920 SPECIFICATION

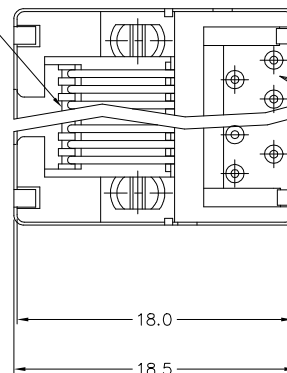


METAL SHELL
NOTE 4

INSULATED TAPE
NOTE 5

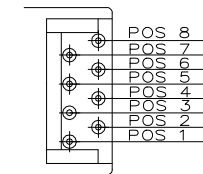


P.C.B. HOLE PATTERN VIEWED FROM TOP.



MOD JACK ASS'Y

PRODUCT NO	NUMBER OF POS.	LOADED POSITION	PLATING	HOUSING COLOR
94927-088	8	ALL POS.	5u" Au + high performance lubricant	GRAY
94927-088LF				
94927-088BLF	8	ALL POS.	5u" Au + high performance lubricant	BLACK



POS. NO. CONFIGURATION

mat'l. code		surface ISO 1302 ✓		tolerance ISO 406/ISO 1101		projection		product family	
litr		ecn no dr		date		tolerances unless otherwise specified		MOD JACK	
B		T50286		CL		10/20/95		title	
C		T03-0443		WL		10/06/03		LOW PROFILE PCB III 8 POS	
D		N05-0030		YS		02/05/05		MOD JACK, FULLY SHIELDED	
E		ELX-N-011003		SH MIAO		03/25/12		dr	
F		ELX-N-35956		DW		01/21/20		eng	
								chr	
								appd	
								JENN TSAO	
								03/06/95	
								03/06/95	
								03/06/95	
sheet index		revision sheet		F		1		type	
								Product Customer Drawing	
								94927	
								sheet 1 of 1	
								size A4	