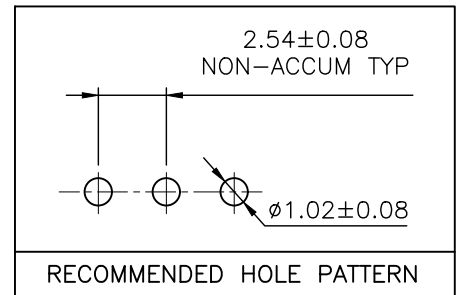
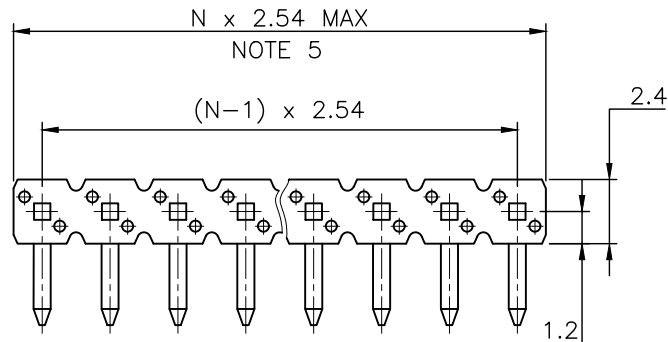


PRODUCT NUMBER

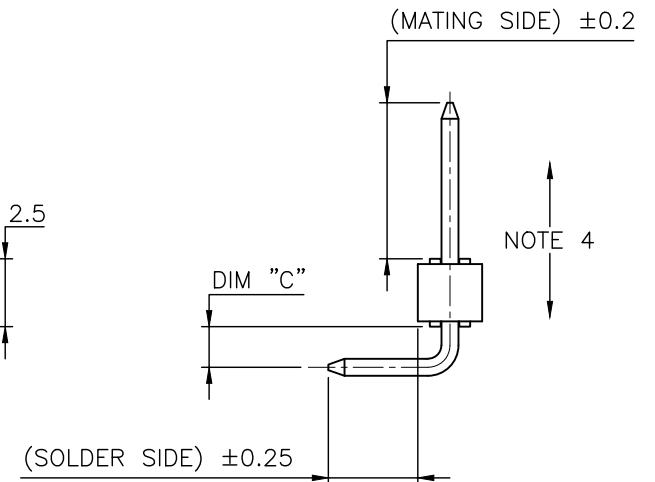
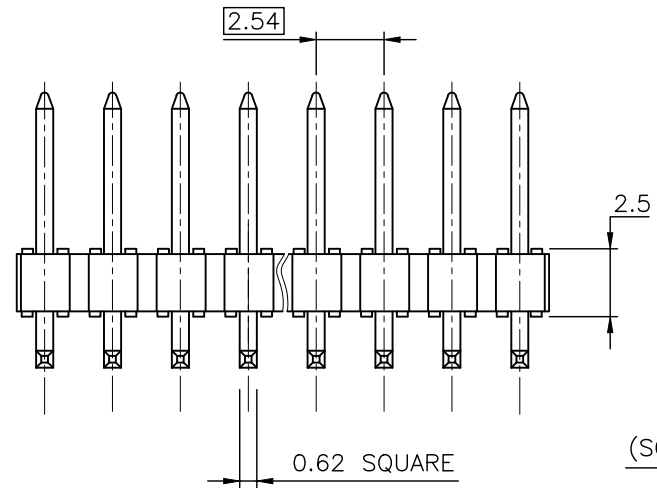
77315-YXX-XXLF

- RoHS COMPATIBLE  
SEE NOTE 7
- TOTAL NB OF POSITIONS 01 TO 36
- PACKAGING, NOTE 3
- PIN STYLE SEE SHEET 2
- PLATING SEE SHEET 2



NOTES:

1. HOUSING MAT'L : HIGH TEMPERATURE THERMOPLASTIC. UL94V-0 COLOR: BLACK
2. PIN MATERIAL : PHOSPHOR BRONZE
3. PACKAGING:
  - PACKAGING POLYBAG
  - "V" BLIBOX PACK FOR CUSTOMER DEDICATED PART
  - "K" TAPE & REEL PACKAGING WITHOUT PICK UP CAP
4. 9N MIN RETENTION IN EITHER DIRECTION
5. TO DETERMINE DIMENSIONS :  
N = NUMBER OF POSITIONS PER ROW  
EXAMPLE : 8 POS  $N \times 2.54 = 20.32\text{mm}$
6. UNDERPLATING :  $1.27\mu\text{m}$  Ni MIN
7. RoHS COMPATIBLE PRODUCT SPECIFICATIONS
  - a - PLATING:
    - "LF" MEANS THE PRODUCT IS LEAD-FREE,  $2\mu\text{m}$  MINIMUM MATTE TIN OVER  $1.27\mu\text{m}$  MINIMUM NICKEL UNDERPLATE.
  - b - MANUFACTURING PROCESS COMPATIBILITY
    - THE HOUSING WILL WITHSTAND EXPOSURE TO  $260^\circ\text{C} \pm 5^\circ\text{C}$  SOLDER BATH TEMPERATURE FOR 5 SECONDS IN A WAVE SOLDER APPLICATION WITH A 1.6mm MIN THICK CIRCUIT BOARD.
    - REFLOW COMPATIBLE
  - c - LABELING:
    - MEETS PACKAGING SPECS AS PER GS-14-920
  - d - LEGAL STATEMENT: SEE GS-47-0004



mat'l. code SEE NOTES				surface ISO 1302 <input checked="" type="checkbox"/>	tolerance ISO 406 <input checked="" type="checkbox"/> ISO 1101	projection 	product family BERGSTIK
ltr	ecn no	dr	date	tolerances unless otherwise specified		mm 	title UNSHR.HEADER RA SR TMT
BB	F-26544	LMU	17.11.20	angles	linear		
BC	F-38749	DDE	20.10.26				
						scale 5:1	
AW	F-23551	LMU	16.03.21	dr	D.LE	01.01.24	dwg no 77315 sheet 1 of 2 size A3
AX	F-24328	AMA	16.06.17	enfr	JM.C	01.01.24	
AY	F-25336	DDE	16.11.15	chr	JM.C	01.01.24	
BA	F-25361	DDE	16.11.16	appd	JF.N	01.01.24	
sheet	revision	BC	6				
index	sheet	1	2				

PRODUCT SPECIFICATIONS

PIN STYLE	MATING	SOLDER	DIM "C"
01	5.72	2.57	1.5
02	5.72	5.11	1.5
03	5.72	7.65	1.5
07	5.72	5.11	3.9
13	5.72	3.45	1.5
18	5.84	3.05	1.5
22	11.71	3.2	1.5
24	6.75	2.85	1.5
25	8.07	3.05	1.5
26	8.2	12.6	1.5
27	5	3.9	1.5
28	3.1	3.1	1.5
29	9.7	2.90	1.5
30	8.30	4.40	1.5
31	11.70	2.80	1.5
32	8.90	3.05	1.5
33	10.20	3.05	1.5
34	10.00	3.25	1.5
35	5.72	12.73	1.5
36	N/A		
37	N/A		
38	8.51	5.51	1.5
39	9.80	9.30	1.5
40	8.13	2.54	3.90
41	14.20	3.05	1.5
42	9.00	7.20	1.5
43	8.08	2.79	1.5
44	15.70	2.79	1.5
45	8.20	2.35	1.5
46	3.10	9.90	1.5
47	2.30	2.30	1.5
48	3.50	3.05	1.5
49	6.60	4.52	1.5
50	7.00	9.00	4.46
51	7.60	10.50	1.5

PRODUCT SPECIFICATIONS

PIN STYLE	MATING	SOLDER	DIM "C"
52	2.54	3.05	1.5
53	1.2	2.30	1.5
54	2.5	7.40	2.66
55	5.1	5.1	1.5
56	3.0	5.83	3.4

PLATING

- 1 = 0.76µm GOLD/GXT ON CONTACT AREA, 2µm TIN MIN ON TAIL
- 4 = 3µm-5µm TIN FULL PLATED REFLOW
- 5 = 0.25µm GOLD/GXT ON CONTACT AREA, 2µm TIN MIN ON TAIL
- 8 = 0.38µm GOLD/GXT ON CONTACT AREA, 2µm TIN MIN ON TAIL
- G = 0.76µm FULL GXT
- S = 0.38µm FULL GXT
- 1.27µm NICKEL MIN UNDERLAYER FOR ALL PLATING VERSIONS



FCIconnect.com

Copyright FCI

mat'l. code				surface		tolerance		projection		product family	
SEE NOTES				ISO 1302		ISO 406 ISO 1101				BERGSTIK	
ltr	ecn no	dr	date	tolerances unless otherwise specified		.x ±0.3		mm		title	
AP	F-23462	LMU	16.03.07	angles		.xx ±0.15				UNSHR.HEADER	
AR	F-23551	LMU	16.03.21	linear		.xxx ±0.05		scale 5:1		RA SR TMT	
AS	F-24328	AMA	16.06.17							dwg no	
AT	F-25336	DDE	16.11.15	dr	D.LE	01.01.24				sheet 2 of 2 size	
AU	F-25361	DDE	16.11.16	engr	JM.C	01.01.24				77315 A3	
AV	F-26544	LMU	17.11.20	chr	JM.C	01.01.24				type	
AW	F-38749	DDE	20.10.26	appd	JF.N	01.01.24				CUSTOMER Drawing	
sheet	revision										
index	sheet										