

PRODUCT NUMBER
76745-YXX-XXLF

RoHS COMPATIBLE, SEE NOTE 8
TOTAL NB OF POS (04 TO 72 POS)
OPTION LETTER, SEE NOTE 6
PIN STYLE

PLATING
1 = 0.76µm GOLD/GXT,
3 = 2µm MIN MATTE TIN FULL PLATED
5 / 8 = 0.38µm GOLD/GXT
7 = GOLD FLASH FULL PLATED
1.27µm Ni MIN UNDERPLATING

G = 0.76µm GOLD/GXT IN ZONE "A", 2µm MATTE TIN IN ZONE "B"
ALL OVER 1.27µm Ni MIN

NOTES:

- HOUSING MAT'L : HIGH TEMPERATURE THERMOPLASTIC. UL94V-0 COLOR: BLACK.
- PIN MATERIAL : PHOSPHOR BRONZE.
- 12N MIN RETENTION IN EITHER DIRECTION.
- TO DETERMINE DIMENSIONS :
N = NUMBER OF POSITIONS PER ROW
EXAMPLE : 8 POS PER ROW, N x 2.54 = 20.32mm
- FOR STANDARD SELECTIVE GOLD PLATED PRODUCTS SEE DRAWINGS 54112 & 54122.
- OPTION LETTER :
- = STANDARD PACKAGING IN POLYBAG
V = POLYBAGS PACKAGING FOR CUSTOMER DEDICATED PART
B = TUBE WITH PICK UP CAP AS AVAILABLE
- RETENTION IS APPLIED TO TWO ADJACENT PINS AT EACH END OF THE PRODUCT SEE SCHEMA 1
OMIT FROM PRODUCT NUMBER IF THIS FEATURE IS NOT APPLICABLE
- RoHS COMPATIBLE PRODUCT SPECIFICATIONS

a - PLATING:

- "LF" MEANS THE PRODUCT IS LEAD-FREE,
2µm MINIMUM MATTE TIN OVER 1.27µm
MINIMUM NICKEL UNDERPLATE.

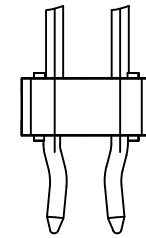
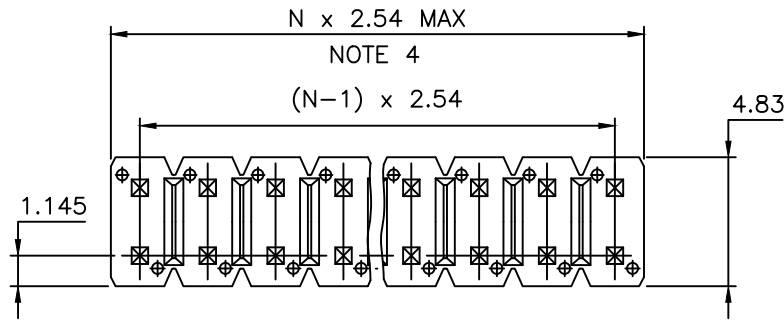
b - MANUFACTURING PROCESS COMPATIBILITY

- THE HOUSING WILL WITHSTAND EXPOSURE TO
260°C ±5°C SOLDER BATH TEMPERATURE FOR
WITH A 1.6mm MIN THICK CIRCUIT BOARD.

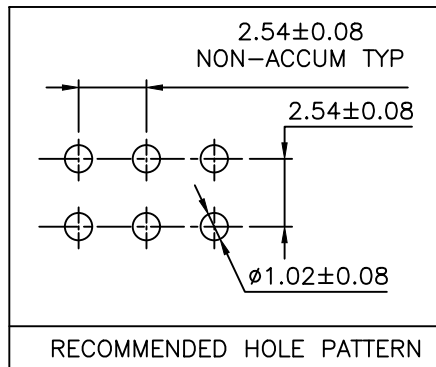
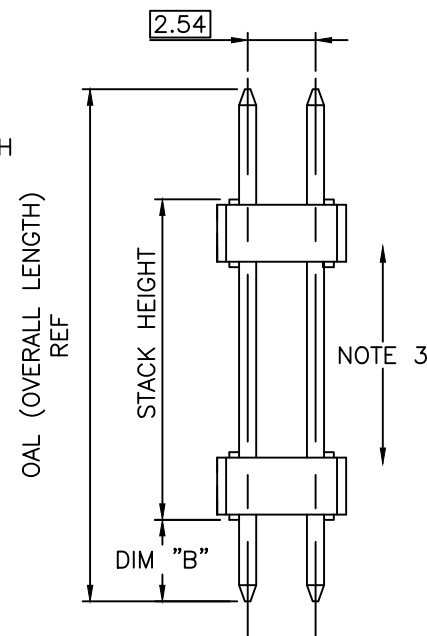
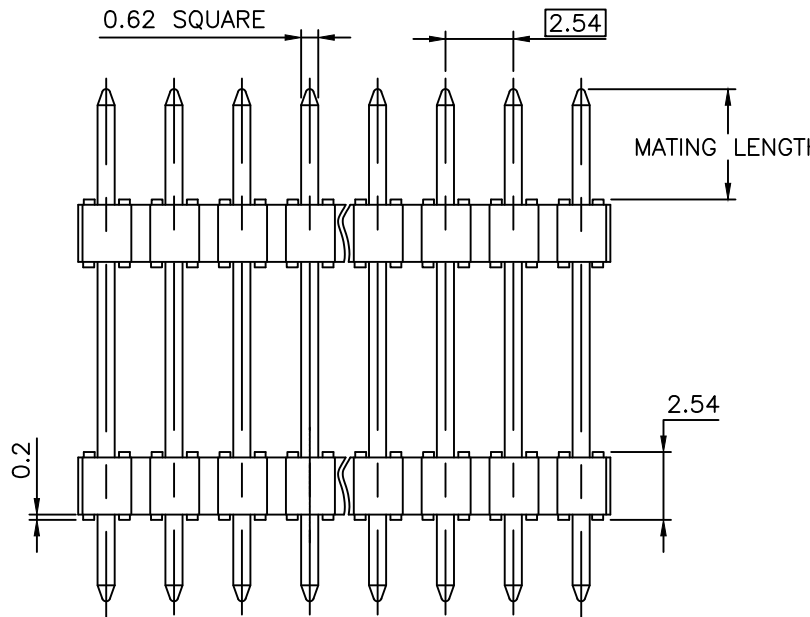
c - LABELING:

- MEETS PACKAGING SPECS AS PER GS-14-920

d - LEGAL STATEMENT: SEE GS-47-0004



SCHEMA 1
TWO RETENTION PIN AT EACH
END OF THE PRODUCT



| | | | | | | | | | |
|-------------|----------|------------|----------|---------------------------------------|-------------|------------|--|------------------|--|
| mat'l. code | | surface | | tolerance | | projection | | product family | |
| SEE NOTES | | ISO 1302 ✓ | | ISO 406 ISO 1101 | | mm | | BSTIK | |
| ltr | ecn no | dr | date | tolerances unless otherwise specified | | mm | | title | |
| FF | B-19782 | AMA | 14.12.18 | angles | x.x ±0.3 | mm | | HEADER STR,DR | |
| FG | B-20322 | AMA | 15.01.27 | linear | x.xx ±0.13 | scale 5:1 | | DOUBLE BODY | |
| FH | F-22479 | BVE | 15.11.12 | | x.xxx ±0.05 | | | dwg no | |
| FK | F-28617 | DDE | 17.11.27 | dr | NIZZI P | 94.05.05 | | sheet 1 of 4 | |
| FL | F-37603 | DDE | 20.07.08 | engr | COMPAGNON J | 95.12.05 | | size | |
| FM | F-40441 | DDE | 21.03.19 | chr | | | | 76745 | |
| FN | F-40885 | DDE | 21.05.11 | appd | JMC | 95.12.05 | | A3 | |
| sheet | revision | FN | CF | F | A | | | type | |
| index | sheet | 1 | 2 | 3 | 4 | | | CUSTOMER Drawing | |

APPLICATION SPECIFIC

| PIN STYLE | MATING LENGTH ±0.2 | STACK HEIGHT ±0.25 | "B" ±0.25 | ("OAL") REF |
|-----------|--------------------|--------------------|-----------|-------------|
| 01 | 8.71 | 19.76 | 2.65 | 31.12 |
| 02 | 6.87 | 16.5 | 3.05 | 26.42 |
| 03 | 6.87 | 13.0 | 3.63 | 23.5 |
| 04 | 5.6 | 6.5 | 2.88 | 14.98 |
| 05 | 5.51 | 8.0 | 3.05 | 16.56 |
| 06 | 6.61 | 11.3 | 3.05 | 20.96 |
| 07 | 5.58 | 10.3 | 2.54 | 18.42 |
| 08 | 5.81 | 7.7 | 3.05 | 16.56 |
| 09 | 5.72 | 5.08 | 2.54 | 13.34 |
| 10 | 6.9 | 10.45 | 2.71 | 20.06 |
| 11 | 11.2 | 9.5 | 2.8 | 23.5 |
| 13 | 9.07 | 6.3 | 3.05 | 18.42 |
| 14 | 5.33 | 21.5 | 2.48 | 29.31 |
| 17 | 7.5 | 23.45 | 3.05 | 34.0 |
| 19 | 9.5 | 10.45 | 3.55 | 23.5 |
| 21 | 11.96 | 18.5 | 3.2 | 33.66 |
| 23 | 9.0 | 25.9 | 3.05 | 37.95 |
| 24 | 8.87 | 14.5 | 3.05 | 26.42 |
| 25 | 9.84 | 11.43 | 9.85 | 31.12 |
| 28 | 6.6 | 8.25 | 2.8 | 17.65 |
| 29 | 9.1 | 15.7 | 3.2 | 28.0 |
| 34 | 8.0 | 12.0 | 3.0 | 23.0 |
| 36 | 10.55 | 7.5 | 10.53 | 28.58 |
| 40 | 7.0 | 6.5 | 3.06 | 16.56 |
| 55 | 13.0 | 20.0 | 3.2 | 36.2 |
| 57 | 11.78 | 5.08 | 3.23 | 20.06 |
| 58 | 23.0 | 8.5 | 5.5 | 36.97 |
| 59 | 9.0 | 18.2 | 9.0 | 36.2 |
| 62 | 9.2 | 9.3 | 3.5 | 22.0 |
| 68 | 6.75 | 8.0 | 2.9 | 17.65 |
| 71 | 6.8 | 5.2 | 2.69 | 14.69 |
| 79 | 9.95 | 39.0 | 3.05 | 52.0 |
| 80 | 5.68 | 7.0 | 2.3 | 15.0 |
| 88 | 10.8 | 8.0 | 3.7 | 22.5 |
| AN | 10.0 | 29.0 | 3.0 | 42.0 |
| BD | 11.7 | 13.5 | 3.21 | 28.41 |
| BM | 11.5 | 11.5 | 3.04 | 26.04 |
| BT | 8.5 | 35.0 | 8.5 | 52.0 |
| CB | 9.0 | 30.0 | 3.0 | 42.0 |
| CD | 9.24 | 12.0 | 9.24 | 30.48 |

SEE SHEET 3

APPLICATION SPECIFIC

| PIN STYLE | MATING LENGTH ±0.2 | STACK HEIGHT ±0.25 | "B" ±0.25 | ("OAL") REF |
|-----------|--------------------|--------------------|-----------|-------------|
| CF | 8.25 | 16.0 | 8.25 | 32.5 |
| CG | 6.0 | 40.0 | 6.0 | 52.0 |
| CH | 11.02 | 12.0 | 3.02 | 26.04 |
| CN | 7.08 | 5.60 | 7.08 | 19.77 |
| CP | 9.50 | 7.00 | 2.41 | 18.91 |
| CT | 11.0 | 6.0 | 11.0 | 28.0 |
| CU | 9.75 | 13.0 | 9.75 | 32.5 |
| CV | 9.44 | 13.00 | 3.60 | 26.04 |
| CW | 5.00 | 36.00 | 5.00 | 46.00 |
| CX | 10.00 | 26.00 | 6.00 | 42.00 |
| CY | 10.9 | 18.20 | 10.9 | 40.00 |
| CZ | 5.5 | 23.00 | 5.50 | 34.00 |
| DA | 13.00 | 14.50 | 6.50 | 34.00 |
| DB | 12.75 | 8.50 | 12.75 | 34.00 |
| DC | SEE SHEET 3 | | | |
| DE | 6.00 | 34.00 | 6.00 | 46.00 |
| DF | 9.12 | 7.80 | 9.12 | 26.04 |
| DG | 3.50 | 43.00 | 3.50 | 50.00 |
| DH | 6.50 | 8.00 | 6.50 | 21.00 |
| DJ | 5.80 | 17.75 | 5.80 | 29.31 |
| DK | 5.40 | 9.00 | 2.90 | 17.30 |
| DL | 9.00 | 8.50 | 6.00 | 23.50 |
| DM | 7.40 | 23.70 | 3.30 | 34.40 |
| DN | 7.40 | 12.10 | 3.30 | 22.80 |
| DP | 8.00 | 16.80 | 5.40 | 30.20 |
| DR | 6.40 | 15.00 | 6.40 | 27.80 |
| DS | 7.00 | 29.00 | 7.00 | 43.00 |
| DT | 9.80 | 27.40 | 9.80 | 47.00 |
| DU | 9.50 | 36.50 | 9.50 | 55.50 |
| DV | 9.30 | 6.30 | 5.80 | 22.00 |
| DW | 5.30 | 40.40 | 3.30 | 49.00 |

SEE SHEET 3

SEE SHEET 3

SEE SHEET 3

APPLICATION SPECIFIC

| PIN STYLE | MATING LENGTH ±0.2 | STACK HEIGHT ±0.25 | "B" ±0.25 | ("OAL") REF |
|-----------|--------------------|--------------------|-----------|-------------|
| DX | 6.50 | 12.50 | 6.50 | 25.50 |
| DY | 6.50 | 9.50 | 6.50 | 22.50 |
| EA | 6.65 | 32.30 | 3.05 | 42.00 |
| EB | 2.66 | 15.00 | 5.84 | 23.50 |
| EC | 10.00 | 39.60 | 2.40 | 52.00 |
| ED | 5.40 | 57.20 | 2.40 | 65.00 |
| EF | 5.84 | 46.50 | 3.05 | 55.40 |
| EG | 5.60 | 20.00 | 5.64 | 31.24 |
| EH | 4.60 | 15.00 | 1.50 | 21.10 |
| EJ | 9.26 | 5.08 | 9.26 | 23.60 |
| EK | 6.00 | 7.50 | 6.00 | 19.50 |
| EL | 6.00 | 12.30 | 4.10 | 22.40 |
| EM | 9.00 | 9.30 | 6.21 | 24.51 |
| EN | 5.75 | 26.90 | 5.75 | 38.40 |
| EP | 6.50 | 36.40 | 6.50 | 49.40 |
| ER | 6.00 | 40.90 | 5.10 | 52.00 |
| ES | 5.50 | 16.50 | 3.50 | 25.50 |
| ET | 5.30 | 40.90 | 3.80 | 50.00 |
| EU | 6.50 | 30.00 | 3.50 | 40.00 |
| EV | 5.80 | 14.50 | 3.30 | 23.60 |
| EW | 14.68 | 33.02 | 6.35 | 54.05 |

A

B

C

D

A

B

C

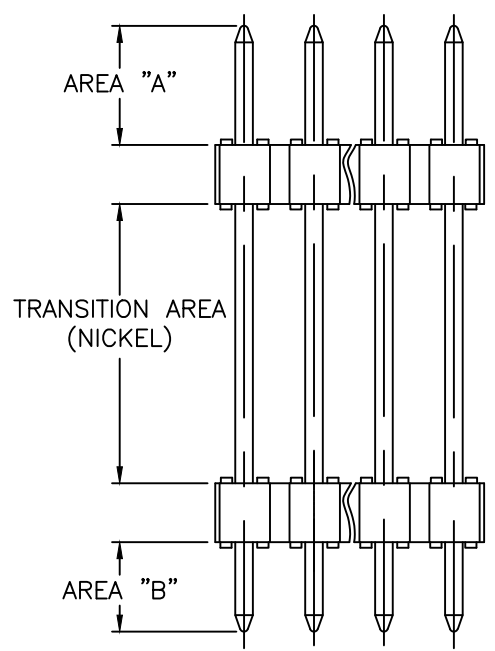
D



FCIconnect.com

Copyright FCI

| | | | | | | | | | |
|-------------|----------|--|----------|---------------------------------------|-------------|------------|-----------------------|----------------------|--|
| mat'l. code | | surface ISO 1302 <input checked="" type="checkbox"/> | | tolerance ISO 406 ISO 1101 | | projection | | product family BSTIK | |
| ltr | ecn no | dr | date | tolerances unless otherwise specified | | mm | | title | |
| CB | B-20322 | AMA | 15.01.27 | linear | | scale | | HEADER STR,DR | |
| CC | F-28617 | DDE | 17.11.27 | | | | | DOUBLE BODY | |
| CD | F-37603 | DDE | 20.07.08 | | | | | dwg no | |
| CE | F-40441 | DDE | 21.03.19 | dr | COMPAGNON J | 94.05.05 | sheet 2 of 4 | | |
| CF | F-40885 | DDE | 21.05.11 | enr | JMC | 95.08.28 | size | | |
| | | | | chr | | | 76745 | | |
| CA | B-1345 | LMU | 14.11.07 | appd | JMC | 95.08.28 | type CUSTOMER Drawing | | |
| sheet index | revision | | | | | | | | |
| | sheet | | | | | | | | |



SPECIFICS PLATING AREA FOR PART NUMBERS :

- P/N 76745-1CH-10LF
- P/N 76745-1CH-18LF
- P/N 76745-579R24LF
- P/N 76745-579R30LF
- P/N 76745-1CU-20LF
- P/N 76745-1DF-26LF

AREA "A" & "B" : GOLD/GXT PLATING AREA

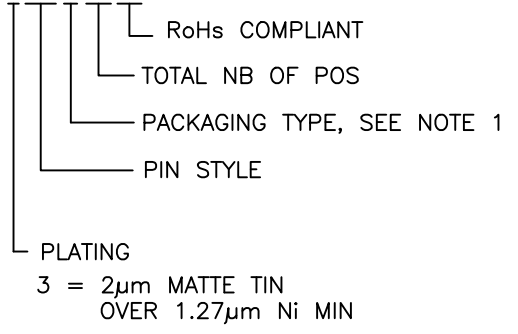


Copyright FCI

| | | | | | | | | | | | |
|-------------|----------|----------------|-----------|--|-------------|--|--|----------------|--|---------------------------------------|--|
| mat'l. code | | | | surface ISO 1302 <input checked="" type="checkbox"/> ISO 406 <input type="checkbox"/> ISO 1101 <input type="checkbox"/> | | tolerance tolerances unless otherwise specified | | projection | | product family BSTIK | |
| ltr | ecn no | dr | date | tolerances unless otherwise specified | | angles | | mm | | title HEADER STR,DR DOUBLE BODY | |
| A | F06-110 | LMU | 06.01.26 | | | linear | | | | dwg no | |
| B | F06-0196 | LMU | 06.06.20 | | | | | scale | | sheet 3 of 4 | |
| C | F07-0266 | J.CO | 07.10.15 | | | | | | | size A3 | |
| D | F12-0023 | LMU | 12.06.06 | dr | L.MULIN | 06.01.31 | | | | type | |
| E | F12-0090 | JFA | 12.12.07 | enrg | J.COMPAGNON | 06.01.31 | | | | CUSTOMER | |
| F | B-16665 | LMU | 14..01.06 | chr | | | | | | | |
| | | | | appd | JMC | 06.01.31 | | | | | |
| sheet index | | revision sheet | | | | | | | | | |

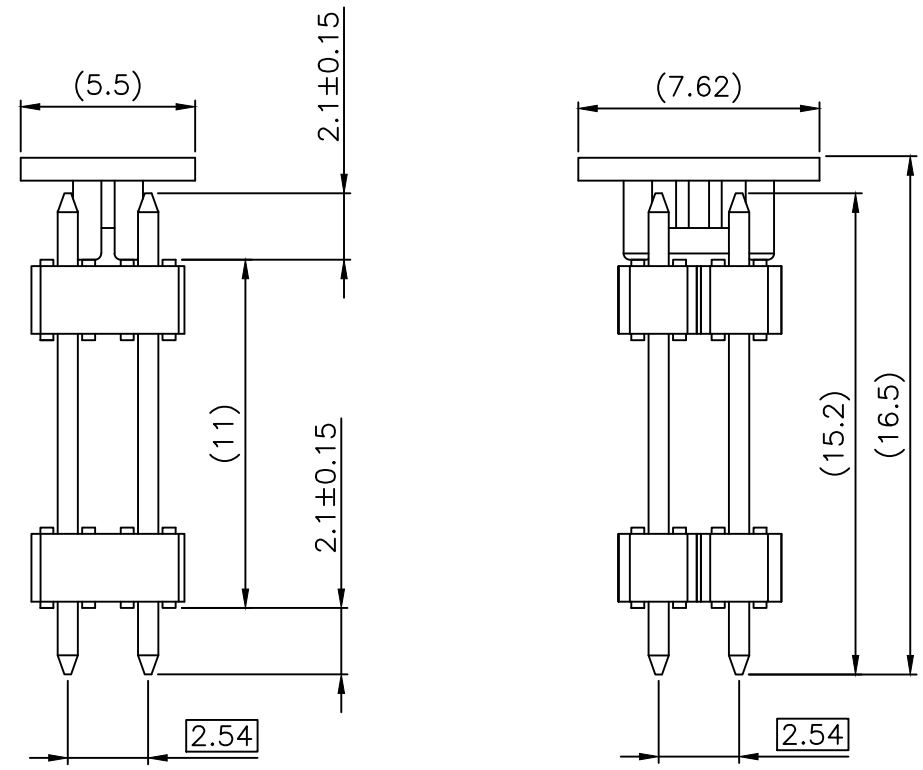
SPECIFIC PRODUCT NUMBER

76745-3DCA04LF



NOTES :

- PACKAGING : A = TAPE & REEL PACKAGING WITH PICK UP CAP INSTALLED SEE TA 840
- PRODUCT COMPATIBLE WITH REFLOW PROCESS. 255°C PEAK TEMPERATURE 10-40 SECONDES IN A CONVECTION, INFRA-RED OR VAPOR PHASE



Copyright FCI

| | | | | | | | | | |
|-------------|----------------|--|-------------|--|--|----------------|------------------|---------------------------------------|------------|
| mat'l. code | | surface ISO 1302 <input checked="" type="checkbox"/> ISO 406 <input type="checkbox"/> ISO 1101 <input type="checkbox"/> | | tolerance tolerances unless otherwise specified | | projection | | product family BSTIK | |
| ltr | ecn no | dr | date | angles | | mm | | title HEADER STR,DR DOUBLE BODY | |
| A | B-16665 | LMU | 14.01.06 | linear | | scale | | dwg no 76745 | |
| | | dr | L.MULIN | 13.02.18 | | | sheet 4 of 4 | | size A3 |
| | | enrg | J.COMPAGNON | 13.02.18 | | | type CUSTOMER | | Drawing |
| | | chr | | | | | | | |
| | | appd | JMC | 13.02.18 | | | | | |
| sheet index | revision sheet | | | | | | | | |