

WE RECOMMEND THESE CONNECTORS FOR OPTIMAL SERVICE LEVEL



- SHORT LEAD-TIMES
- LOW MOQs
- QUICK SAMPLING
- AVAILABLE AT DISTRIBUTION

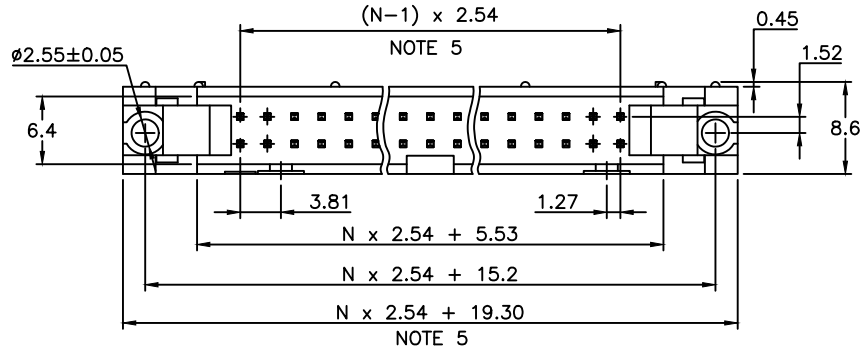


71918-110LF	71918-140LF
71918-114LF	71918-150LF
71918-116LF	71918-164LF
71918-120LF	71918-210LF
71918-126LF	71918-214LF
71918-134LF	71918-240LF

LATCHING  
SEE SHEET 2

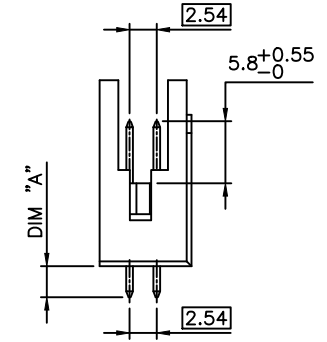
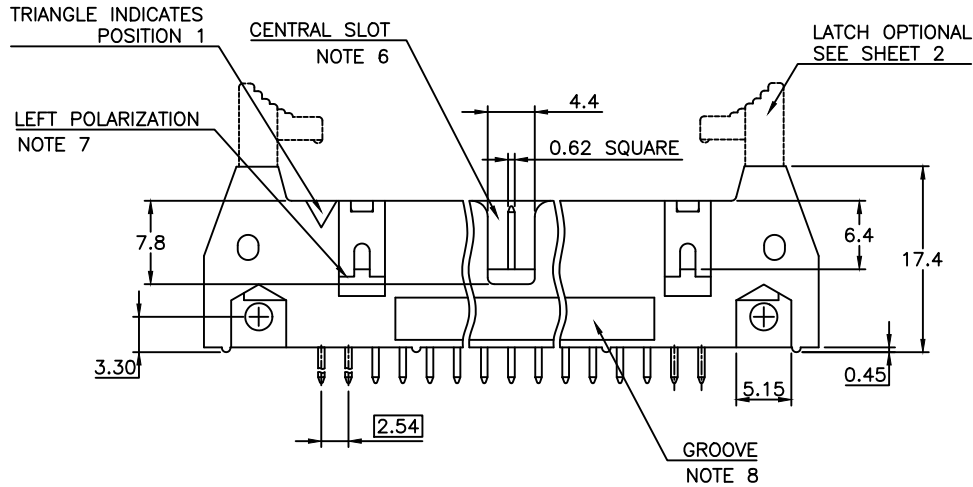
TOTAL NB OF POSITION  
SEE SHEET 2

RoHS COMPATIBLE, SEE NOTE 10



NOTES:

- HOUSING MATERIAL: GLASS FILLED THERMOPLASTIC UL94V-0  
= STANDARD COLOR GREY  
B = OPTION COLOR BLACK
- PIN MATERIAL : PHOSPHOR BRONZE
- PRODUCT PACKAGED IN TUBES
- 40N MIN LATCH RETENTION FORCE AT FIRST EXTRACTION
- TO DETERMINE DIMENSIONS :  
N = NUMBER OF POSITIONS PER ROW  
EXAMPLE : 8 POS  $N \times 2.54 = 20.32\text{mm}$
- NO CENTRAL SLOT ON POSITIONS 6 & 8
- NO LEFT POLARIZATION ON POSITIONS 06, 08, 10, 14.
- NO GROOVE ON POSITIONS 06, 08, 10, 14, 30, 34
- 4.5mm SOLDER TAIL  
ORDER 71918-4XX (WITH STANDARD LATCH ONLY)
- RoHS COMPATIBLE PRODUCT SPECIFICATIONS
  - PLATING:  
- "LF" MEANS THE PRODUCT IS LEAD-FREE,  $2\mu\text{m}$  MINIMUM MATTE TIN OVER  $1.27\mu\text{m}$  MINIMUM NICKEL UNDERPLATE.
  - MANUFACTURING PROCESS COMPATIBILITY  
- THE HOUSING WILL WITHSTAND EXPOSURE TO  $260^\circ\text{C} \pm 5^\circ\text{C}$  SOLDER BATH TEMPERATURE FOR 5 SECONDS IN A WAVE SOLDER APPLICATION WITH A 1.6mm MIN THICK CIRCUIT BOARD.
  - LABELING:  
- MEETS PACKAGING SPECS AS PER GS-14-920
  - LEGAL STATEMENT: SEE GS-47-0004.
- THIS PART SERIES IS NOT INITIALLY INTENDED FOR AUTOMOTIVE APPLICATIONS. ADDITIONAL FEES ARE CHARGEABLE FOR ANY ADDITIONAL QUALIFICATION AND TEST REPORTS PERFORMED OUTSIDE THE SCOPE OF THE STANDARD PRODUCT SPECIFICATIONS.
- UNLESS OTHERWISE APPROVED BY AMPHENOL, ALL PARTS AND COMPONENTS ARE DESIGNED & BUILT ACCORDING TO AMPHENOL'S SPECIFICATIONS WHICH ARE SUBJECT TO CHANGE WITHOUT NOTICE.



mat'l. code		surface		tolerance		projection		product family	
SEE NOTES		ISO 1302		ISO 406 ISO 1101				QUICKIE	
ltr	ecn no	dr	date	tolerances unless otherwise specified		mm		title	
AG	F-37618	LMU	20.07.09	angles	linear			SHR E L HEADER	
AH	F-48536	DDE	23.06.19			scale 5:1		STR DR TMT	
AJ	F-49169	LMU	23.07.31					dwg no	
AK	F-54428	DDE	25.01.24	dr	D.LEGRAND	01.01.24		sheet 1 of 2	
AL	F-56516	DDE	25.07.15	engr	JF.COMPAGNON	01.01.24		size	
				chr	JF.NOTTEAU	01.01.24		71918	
AF	F-37618	LMU	20.07.09	appd	JF.COMPAGNON	01.01.24		A3	
sheet	revision	AL	AC					type	
index	sheet	1	2					CUSTOMER Drawing	

Amphenol FCI FCIconnect.com

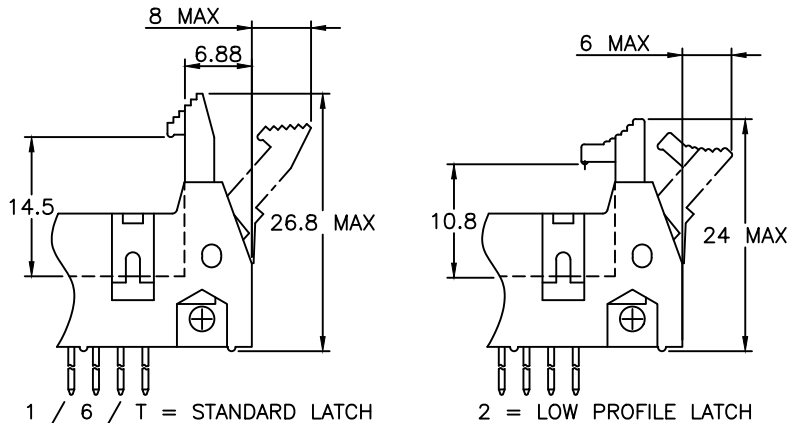
Copyright FCI

PRODUCT NUMBER	SIZE	LATCHING AVAILABILITY	MISSING PIN POSITIONS
71918-X06(B)LF	2x3	0/1/2/4/5/6/T	
71918-X08(B)LF	2x4	0/1/2/4/5/6/T	
71918-X10(B)LF	2x5	0/1/2/4/5/6/T	
71918-X14(B)LF	2x7	0/1/2/4/5/6/T	
71918-X16(B)LF	2x8	0/1/2/4/5/6/T	
71918-X18(B)LF	2x9	0/1/2/4/5/6/T	
71918-X20(B)LF	2x10	0/1/2/4/5/6/T	
71918-X26(B)LF	2x13	0/1/2/4/5/6/T	
71918-X27(B)LF	2x13	0/1/2/4/5/6/T	21;22
71918-X28(B)LF	2x13	0/1/2/4/5/6/T	5 to 12
71918-X30(B)LF	2x15	0/1/2/4/5/6/T	
71918-X34(B)LF	2x17	0/1/2/4/5/6/T	
71918-X35(B)LF	2x17	0/1/2/4/5/6/T	2;3
71918-X36(B)LF	2x17	0/1/2/4/5/6/T	11to16 & 19to24
71918-X40(B)LF	2x20	0/1/2/4/5/6/T	
71918-X44(B)LF	2x22	0/1/2/4/5/6/T	
71918-X45(B)LF	2x22	0/1/2/4/5/6/T	9;10;23;24
71918-X50(B)LF	2x25	0/1/2/4/5/6/T	
71918-X51(B)LF	2x25	0/1/2/4/5/6/T	39 to 46
71918-X60(B)LF	2x30	0/1/2/4/5/6/T	
71918-X64(B)LF	2x32	0/1/2/4/5/6/T	

PLATING FOR LATCHING CODE 0/1/2/4/5/6:  
0.76µm GOLD/GXT  
(PdNi WITH GOLD FLASH) ON CONTACT AREA  
2µm MIN MATTE TIN ON TAIL  
UNDERPLATING : 1.27µm Ni MIN

PLATING FOR LATCHING CODE T:  
2µm MIN FULL MATTE TIN ALL OVER  
UNDERPLATING : 1.27µm Ni MIN

LATCHING FEATURES :



EXTENDED RANGE

PRODUCT NUMBER

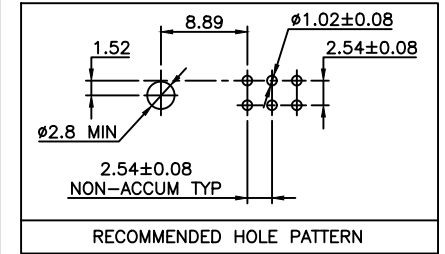
71918-YXXZZLF

RoHS COMPATIBLE, SEE NOTE 10  
P = DEDICATED CUSTOMER PART COLOR GREY  
S = SPECIFIC CUSTOMER PLATING OPTION.

COLOR OPTION, SEE NOTE 1  
(AS AVAILABLE)

TOTAL NB OF POSITIONS, SEE ON LEFT

LATCHING

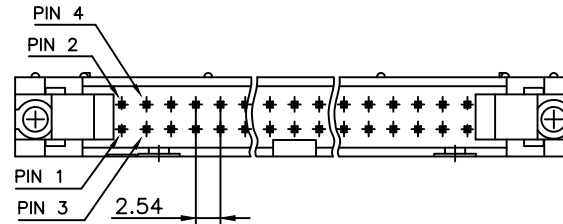


GOLD/GXT PLATING  
SEE ON LEFT

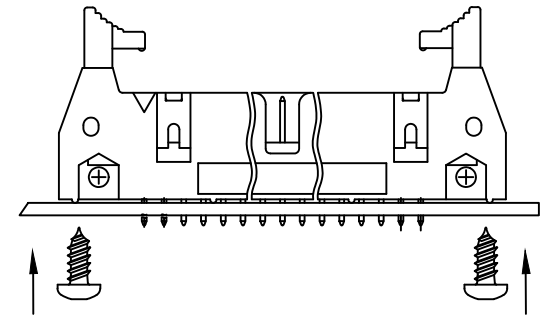
- 0= WITHOUT LATCH WITH DIM "A" 2.9mm
  - 1= STANDARD LATCH WITH DIM "A" 2.9mm
  - 2= LOW PROFILE LATCH WITH DIM "A" 2.9mm
  - 4= STANDARD LATCH WITH DIM "A" 4.5mm (AS AVAILABLE)
  - 5= LOW PROFILE LATCH WITH DIM "A" 3.94mm (AS AVAILABLE)
  - 6= STANDARD LATCH WITH DIM "A" 3.94mm (AS AVAILABLE)
- GXT PLATING

FULL TIN PLATING  
SEE ON LEFT

- T= STANDARD LATCH WITH DIM "A" 2.9mm (AS AVAILABLE)



PIN POSITION INDICATION FOR POLARIZED VERSIONS



WHEN THE CONNECTORS NEED TO BE FIXED ON THE PCB'S  
THE STAINLESS SCREWS REF TC POZI DIN7981 Ø2.9 X 6.5MM  
TO BE USED

mat'l. code		surface		tolerance		projection		product family	
SEE NOTES		ISO 1302 ✓		ISO 406 ISO 1101		mm		QUICKIE	
ltr	ecn no	dr	date	tolerances unless otherwise specified		mm		title	
Y	F-23514	LMU	16.03.14	angles	linear	.x ±0.3	scale 5:1	SHR E L HEADER	
AA	F-37618	LMU	20.07.09			.xx ±0.15		STR DR TMT	
AB	F-54428	DDE	25.01.24			.xxx ±0.05		dwg no	
AC	F-56516	DDE	25.07.15	dr	D.LEGRAND	01.01.24	sheet 2 of 2		
				engr	J.COMPAGNON	01.01.24	size		
W	B-19091	LMU	14.10.16	chr	JF.NOTTEAU	01.01.24	71918		
X	B-20412	BVE	15.03.10	appd	J.COMPAGNON	01.01.24	A3		
sheet		revision						type	
index		sheet						CUSTOMER Drawing	