

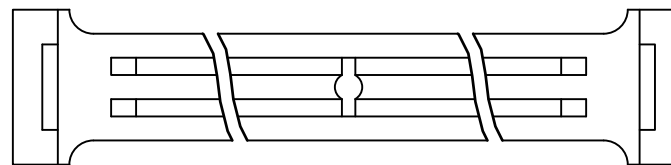
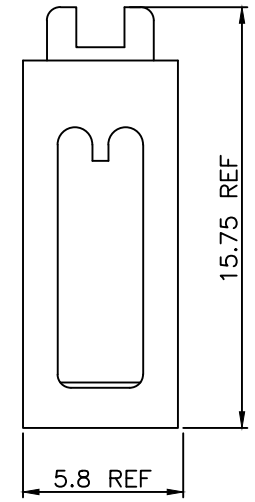
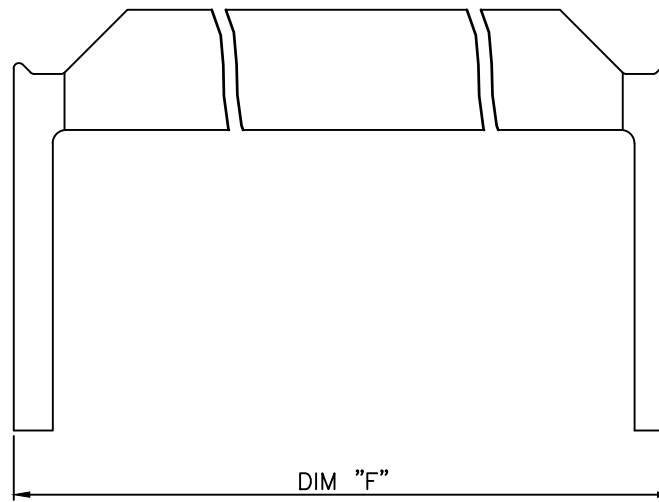
PRODUCT NUMBER
67016-YXXLF

COLOR CODE
(AS AVAILABLE)
0=GREY
2=BLACK

INDICATES THE PRODUCT IS RoHS
COMPATIBLE, SEE NOTE 2
STYLE, SEE TABLE
(AS AVAILABLE)

EXTENDED RANGE
- TOOLING FEASIBILITY CONFIRMED
- SAMPLES ON DEMAND
- AVAILABILITY ON DEMAND

STYLE	SIZE	DIM "F"
06	2x 3	12.18
08	2x 4	14.54
10	2x 5	17.08
12	2x 6	19.62
14	2x 7	22.16
16	2x 8	24.70
18	2x 9	27.24
20	2x10	29.78
24	2x12	34.86
26	2x13	37.40
30	2x15	42.48
34	2x17	47.56
40	2x20	55.18
44	2x22	60.26
50	2x25	67.88
60	2x30	80.58
64	2x32	85.66



NOTES:

- 1 - MOLDING MATERIAL UNFILLED POLYESTER FLAME RETARDANT PER UL-94-V0
- 2 - RoHS COMPATIBLE PRODUCT
 - a - LABELLING:
- MEETS PACKAGING SPECS AS PER GS-14-920
 - b - LEGAL STATEMENT: SEE GS-22-008
 - c - THE PRODUCT IS NOT INTENDED TO BE EXPOSED TO MANUFACTURING SOLDER PROCESS
 - d - PRODUCT MEETS WITH EU 2002/EG/95
- 3 - THIS PART SERIES IS NOT INITIALLY INTENDED FOR AUTOMOTIVE APPLICATIONS. ADDITIONAL FEES ARE CHARGEABLE FOR ANY ADDITIONAL QUALIFICATION AND TEST REPORTS PERFORMED OUTSIDE THE SCOPE OF THE STANDARD PRODUCT SPECIFICATIONS.
- 4 - UNLESS OTHERWISE APPROVED BY AMPHENOL, ALL PARTS AND COMPONENTS ARE DESIGNED & BUILT ACCORDING TO AMPHENOL'S SPECIFICATIONS WHICH ARE SUBJECT TO CHANGE WITHOUT NOTICE.

mat'l. code SEE NOTE 1		surface ISO 1302	tolerance ISO 406 ISO 1101	projection mm	product family QUICKIE III
ltr	ecn no	dr	date	tolerances unless otherwise specified	title STRAIN RELIEF STANDARD
F	F05-0255	LMU	05.09.28	angles linear .X ± 0.3	dwg no 67016 sheet 1 of 1 size A3
G	F06-0270	LMU	06.09.12	.XX ± 0.15	
H	F06-0274	LMU	06.09.25	.XXX ± 0.05	
J	F-26819	JCA	17.04.26	dr L.MULIN 05.09.28	
K	F-37268	DDE	20.06.03	enrg J.COMPAGNON 05.09.28	type CUSTOMER Drawing
L	F-55026	DDE	25.03.19	chr J.COMPAGNON 05.09.28	
sheet index		revision sheet			

Amphenol FCI
FCIconnect.com

Copyright FCI