

PRODUCT NUMBER  
57202-XXX-XXXXXLF

PLATING  
S = 0.38µm GOLD/GXT ON CONTACT AREA  
3.81µm TIN LEAD ON TAIL  
G = 0.76µm GOLD/GXT ON CONTACT AREA  
3.81µm TIN LEAD ON TAIL  
F = GOLD FLASH ON CONTACT AREA  
3.81µm TIN LEAD ON TAIL

RoHS COMPATIBLE  
SEE NOTE 7  
POLARIZATION, SEE NOTE 6  
PACKAGING, SEE NOTE 5  
NB OF POS PER ROW : 02 TO 25

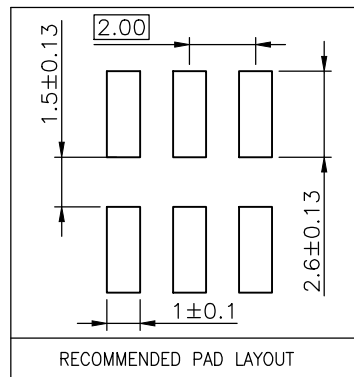
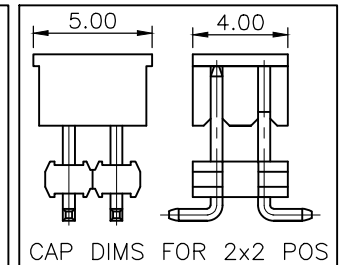
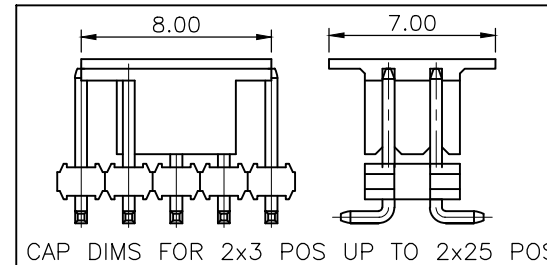
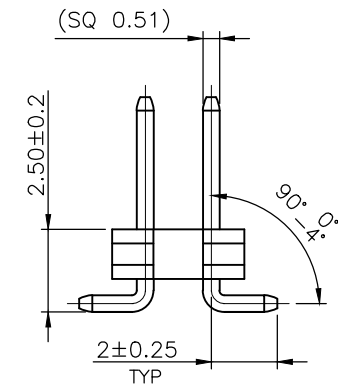
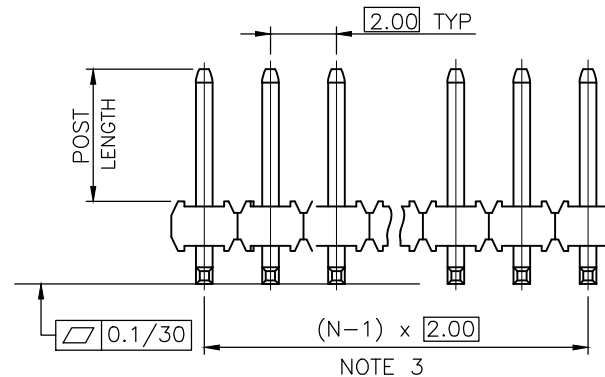
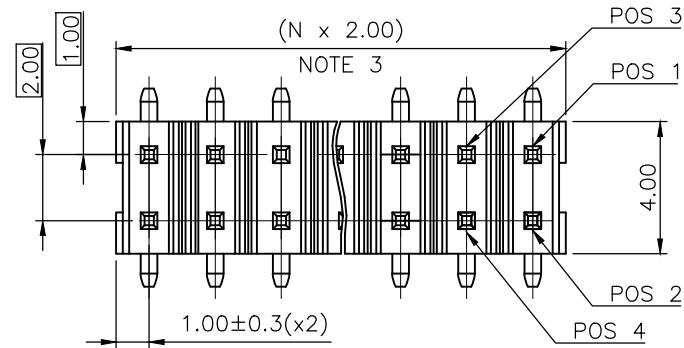
STYLE	POST LENGTH ±0.2
51	2.00
52	4.00
53	3.50
54	2.50

1.27µm MIN NICKEL UNDERPLATING

NOTES:

- MATERIAL HOUSING: HIGH TEMP. THERMOPLASTIC  
UL 94V-0, COLOR BLACK
- MATERIAL TERMINAL: COPPER ALLOY
- TO DETERMINE DIMENSIONS:  
N = NUMBER OF POSITIONS PER ROW.
- 7N MIN. PIN RETENTION IN EITHER DIRECTION.
- PACKAGING:  
= STANDARD PACKAGING IN POLYBAGS  
- = POLYBAGS PACKAGING WHEN POLARISATION FEATURE APPLICABLE.  
U = TUBE AVAILABLE FROM 04 TO 25 POS PER ROW.  
A = TAPE AND REEL WITH PICK UP CAP INSTALLED  
IN THE CENTER OF THE PRODUCT FOR PICK AND PLACE  
SEE TA 884 FOR PRODUCT AVAILABILITY.  
K = TAPE AND REEL WITHOUT CAP, SEE TA884 FOR AVAILABILITY.
- FOR POLARIZATION, SPECIFY POSITION NUMBER TO OMIT PIN.  
EXAMPLE : 03 = OMIT PIN POSITION 3, SEE TOP VIEW.  
OMIT FROM PRODUCT NUMBER IF THIS FEATURE IS NOT APPLICABLE.
- RoHS COMPATIBLE PRODUCT SPECIFICATIONS
  - PLATING:  
- "LF" MEANS THE PRODUCT IS LEAD-FREE,  
2µm MINIMUM MATTE TIN OVER 1.27µm  
MINIMUM NICKEL UNDERPLATE.
  - MANUFACTURING PROCESS COMPATIBILITY  
- THE HOUSING WILL WITHSTAND EXPOSURE TO  
260°C PEAK TEMPERATURE FOR 30 SECONDES  
IN A CONVECTION, INFRA-RED OR VAPOR  
PHASE REFLOW OVEN.
  - LABELLING:  
- MEETS PACKAGING SPECS AS PER GS-14-920
  - LEGAL STATEMENT : SEE GS-47-0004

TOP VIEW



mat'l. code		surface		tolerance		projection		product family	
		ISO 1302		ISO 406		ISO 1101		MINITEK	
ltr		ecn no		dr		date		title	
L		F09-0087		JCO		09.09.04		UNSH HEADER	
M		F11-0026		LMU		11.05.12		2.00 mm VERTICAL SMT	
N		B-19190		LMU		14.10.24		scale 1:1	
P		B-19797		AMA		14.12.16		dwg no	
R		B-19988		LMU		15.01.13		sheet 1 of 1 size	
K		F08-0145		ELA		17.04.08		57202 A3	
sheet		revision		appd		chr		type	
index		sheet		JM.C		04.11.25		CUSTOMER Drawing	