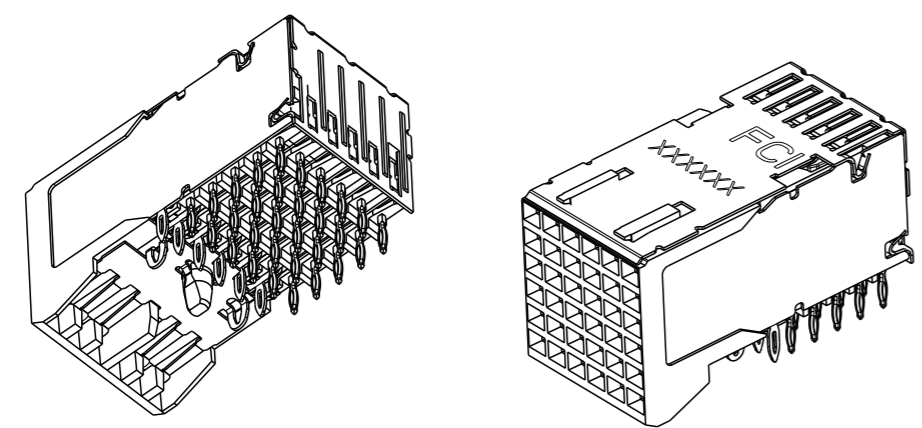
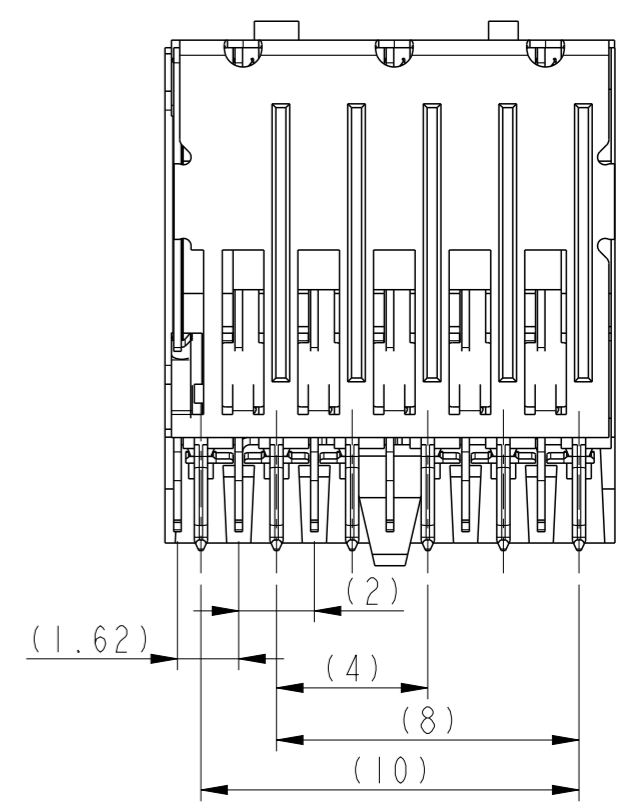
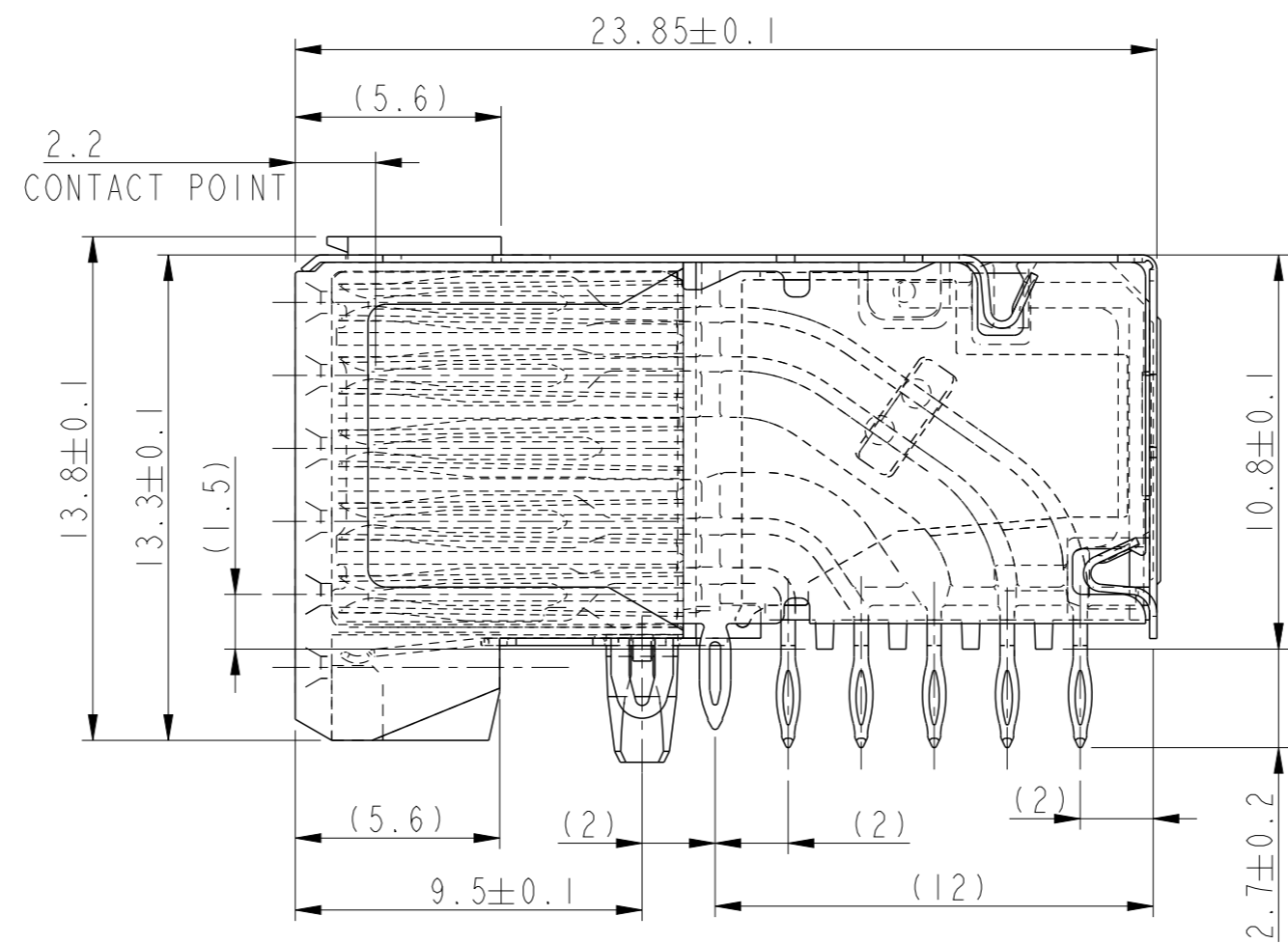
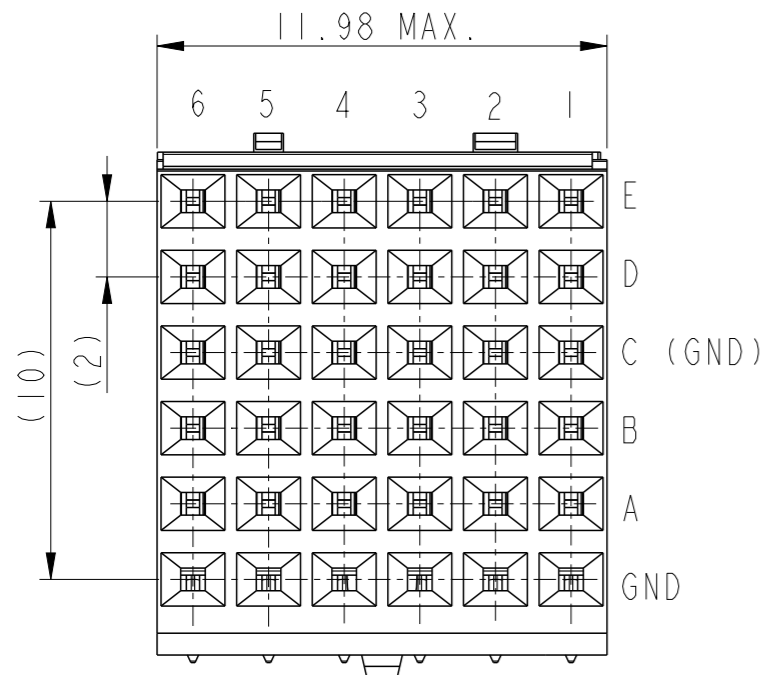


PRODUCT NUMBER
52057-X02LF



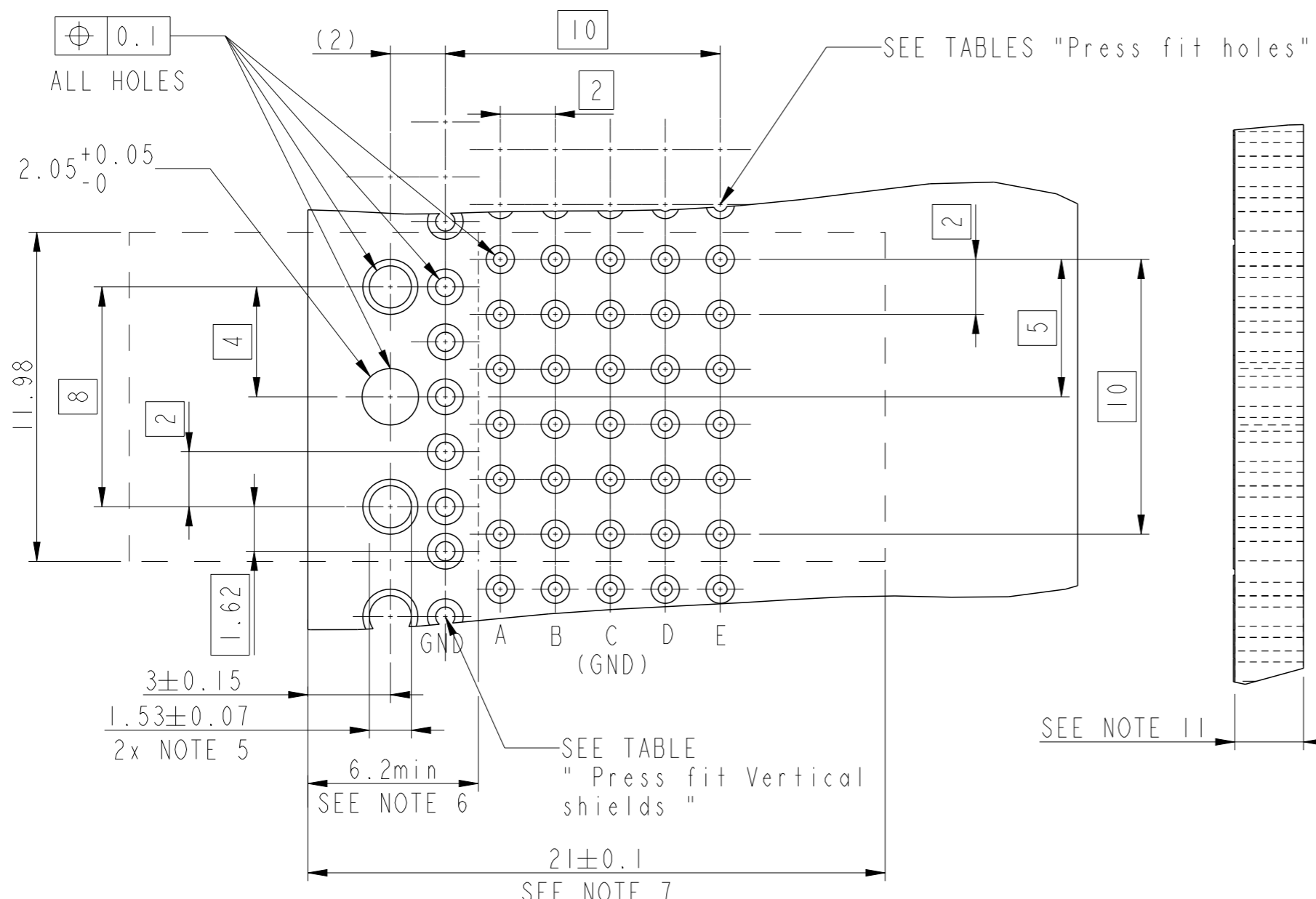
spec ref	-	dr	P-Mathew Nebu	2011/05/20	projection	MM	size	A3	scale	5:1
tolerance std	ISO 406 ISO 1101	eng	Narayanan, Aru	2021/02/03			ecn no	ELX-I-39895-1	rel level	Released
TOLERANCES UNLESS OTHERWISE SPECIFIED		chr	-	product family						
surface	linear	0.X	± 0.3	Amphenol FCI amphenol-icc.com	5x6 Receptacle Signal Assembly		dwg no	52057C	rev	L
		0.XX	± 0.13							
		0.XXX	± 0.05							
ISO 1302	angular	0°	$\pm 2^\circ$	cat. no.	Product - Customer Drw		sheet 1 of 3			

Creo File:ELX-WC-A3C.REV F.2020-12-21

Amphenol FCI

© 2020 Amphenol Corporation

	Signal PTH Details				Vertical Shield PTH Details			
	SnPb Finish	Sn Finish	Cu Finish	Immersion Ag Finish	SnPb Finish	Sn Finish	Cu Finish	Immersion Ag Finish
Drilled Hole	0.58 - 0.62 mm	0.58 - 0.62 mm	0.58 - 0.62 mm	0.58 - 0.62 mm	0.81 - 0.86 mm	0.81 - 0.86 mm	0.81 - 0.86 mm	0.81 - 0.86 mm
Copper Plating	25 - 50 μ m	25 - 50 μ m	25 - 50 μ m	25 - 50 μ m	25 μ m MIN	25 μ m MIN	25 μ m MIN	25 μ m MIN
SnPb Plating	5 - 15 μ m	-----	-----	-----	5 - 15 μ m	-----	-----	-----
Sn Plating	-----	0.8 - 1.2 μ m	-----	-----	-----	0.8 - 1.2 μ m	-----	-----
Immersion Ag plating	-----	-----	-----	0.2 - 0.6 μ m	-----	-----	-----	0.2 - 0.6 μ m
Finished Hole Dia	0.45 - 0.55 mm	0.46 - 0.55 mm	0.48 - 0.57 mm	0.48 - 0.57 mm	0.65 - 0.80 mm	0.65 - 0.80 mm	0.71 - 0.81 mm	0.71 - 0.81 mm



Amphenol FCI

© 2020 Amphenol Corporation

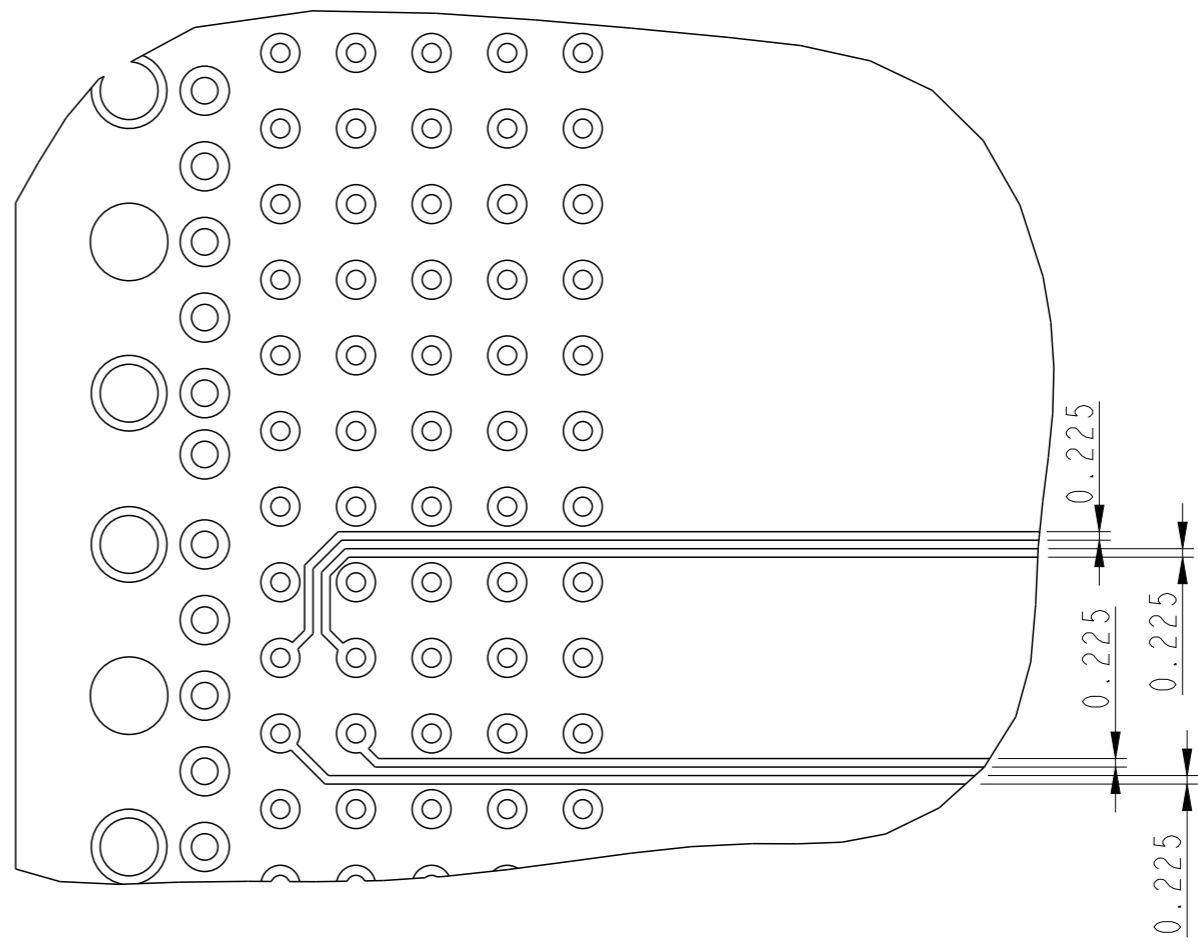
RECOMMENDED PCB HOLE PATTERN - COMPONENT SIDE

spec ref	-	dr	P-Mathew Nebu	2011/05/20
tolerance std	ISO 406 ISO 1101	eng	Narayanan, Aru	2021/02/03
surface	linear	chr	-	-
	angular	appr	Kuriakose, San	2021/02/03
		TOLERANCES UNLESS OTHERWISE SPECIFIED		
		0.X	± 0.3	
		0.XX	± 0.13	
		0.XXX	± 0.05	
		0°	$\pm 2^\circ$	

projection	MM	size	A3	scale	1:1
product family	METRAL 4000	ecn no	ELX-I-39895-1	rel level	Released
part no	5x6 Receptacle	dwg no	52057C	rev	L
amphenol-icc.com	cat. no.	Product - Customer Drw	sheet 2 of 3		

NOTES:

1. MATERIAL : BODY : THERMOPLASTIC UL94-V0. \triangle
 : CONTACT : COPPER ALLOY.
2. FOR PLATING PERFORMANCE REFER DRAWING # 10159408. \triangle
3. INDICATED HOLE IS UNPLATED.
4. SEE PRODUCT SPECIFICATION GS-12-184 FOR PRODUCT PERFORMANCE CHARACTERISTICS.
5. 1.53 mm DIA HOLES (2) AT 8.00 CENTERS ARE FOR GROUND
6. AVOID TRACES ON TOP OF BOARD DUE TO EXPOSED GROUND SHIELD.
7. COMPONENT KEEP OUT ZONE FOR PRESS BLOCK.
8. SEE GS-20-017 FOR APPLICATION TO PCB.
9. PCB THICKNESS 1.3 TO 2.5 mm
10. THE PRODUCT MEETS EUROPEAN UNION DIRECTIVES AND OTHER COUNTRY REGULATIONS AS DESCRIBED IN GS-47-0004. \triangle
11. A \triangle SYMBOL WILL BE NEXT TO ANY DIMENSION, VIEW, OR NOTE WHICH HAS BEEN MODIFIED WITH THE DRAWING CURRENT REVISION
12. 52057-XYLFF. \triangle
 'X' REFER DRAWING # 10159408. \triangle



RECOMMENDED ROUTING AND TRACE DIMENSIONS
 SCALE 5:1

Amphenol FCI

© 2020 Amphenol Corporation

spec ref -		dr P-Mathew Nebu	2011/05/20	projection	MM	size A3	scale 1:1
tolerance std ISO 406 ISO 1101		eng Narayanan, Aru	2021/02/03		← →	ecn no ELX-I-39895-1	
TOLERANCES UNLESS OTHERWISE SPECIFIED		chr -	-			rel level Released	
surface	linear	0.X	±0.3	Amphenol FCI	5x6 Receptacle Signal Assembly	dwg no 52057C	rev L
		0.XX	±0.13				
	0.XXX	±0.05					
ISO 1302	angular	0°	±2°	amphenol-icc.com	cat. no.	Product - Customer Drw	sheet 3 of 3