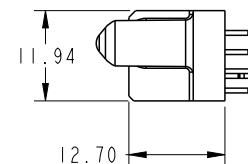
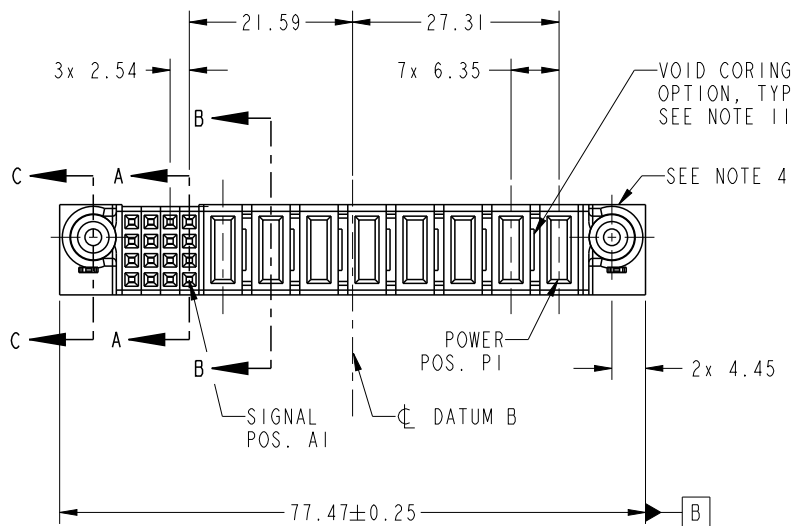


PRODUCT NO.	ROWS	SIGNAL								POWER								E1
		E2	4	3	2	1	P8	P7	P6	P5	P4	P3	P2	P1				
51752-038-- NOTE: 3	D C B A		E	E	E	E	X	PA	X	PD	X	PD	X	PD				

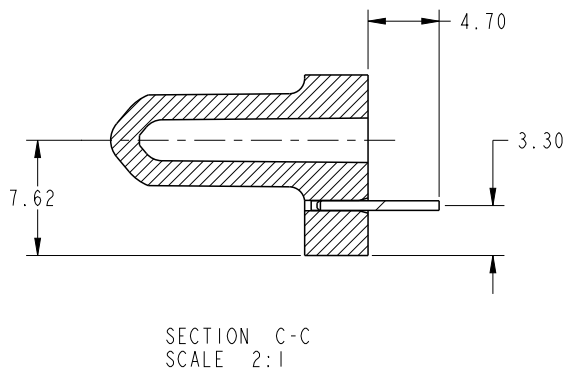
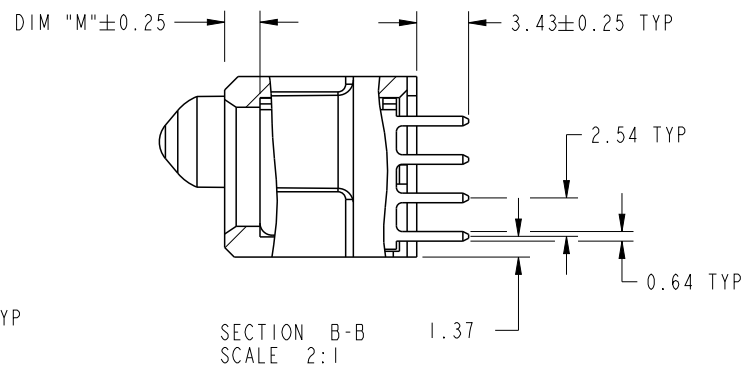
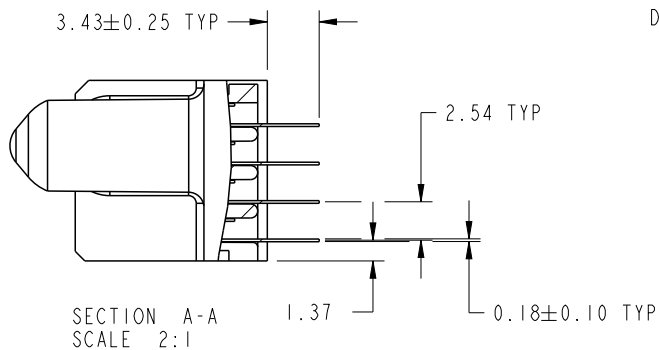


CODE	DIM "M" MATING LENGTH	CONTACT TYPE
E	[N/A]	SIGNAL
PD	[2.34]	POWER
PA	[1.07]	POWER
HA	[N/A]	HOLD-DOWN
X	[N/A]	OMITTED

spec ref	*	dr	Ruan MT	2015/03/27	projection	MM	size	A4	scale	1:1		
tolerance std	TOLERANCES UNLESS OTHERWISE SPECIFIED	eng	De-Ming Lu	2015/04/10			ecn no	-				
SEE NOTE		chr	Fancy Zhang	2015/04/09				product family	PwrBlade	rel level	Released	
surface	✓	appr	Pei-Ming Zheng	2015/04/10	title		8P + 16S		dwg no	51752-038	rev	A
linear		0.X	±0.5		VERTICAL STB RECEPT		Product - Customer Drw		sheet 1 of 4			
	0.XX	±0.25	cat. no.		*							
angular	0°	±2°										

PRODUCT NUMBER

51752-038__
NOTE: 3



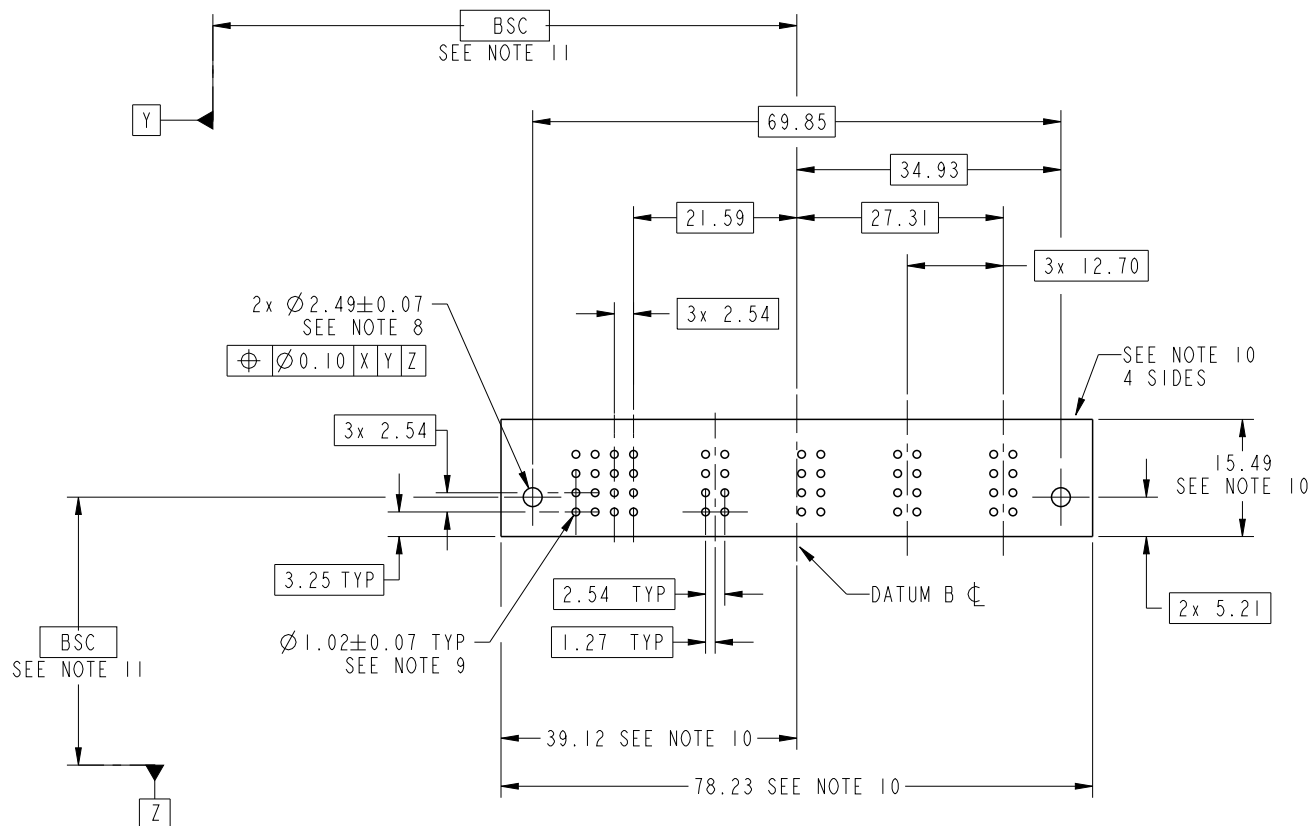
dr	Ruan MT	2015/03/27	projection 	MM 	size	A4	scale	1:1
eng	De-Ming Lu	2015/04/10			ecn no	-		
chr	Fancy Zhang	2015/04/09			rel level	Released		
appr	Pei-Ming Zheng	2015/04/10	product family	PwrBlade	rev	A		
		title 8P + 16S VERTICAL STB RECEPT	dwg no 51752-038	cat. no. *	Product - Customer Drw	sheet 2 of 4		



Copyright FCI.

PRODUCT NUMBER

51752-038_
NOTE: 3



RECOMMENDED PCB LAYOUT

dr	Ruan MT	2015/03/27	projection 	MM 	size	A4	scale	1:1	
eng	De-Ming Lu	2015/04/10			ecn no	-			
chr	Fancy Zhang	2015/04/09			rel level	Released			
appr	Pei-Ming Zheng	2015/04/10	product family	PwrBlade					
		title	8P + 16S VERTICAL STB RECEPT		dwg no	51752-038		rev	A
www.fci.com		cat. no.	*	Product - Customer Drw			sheet 3 of 4		



PRODUCT NUMBER

51752-038--
NOTE: 3

NOTES:

1. DIMENSIONS AND TOLERANCES ARE IN ACCORDANCE WITH ASME Y14.5M, 1994 UNLESS OTHERWISE SPECIFIED.

CONNECTOR NOTES:

- 2 HOUSING MATERIAL: UL 94 V-0 GLASS FILLED HIGH-TEMP THERMOPLASTIC
POWER CONTACT MATERIAL: COPPER ALLOY
SIGNAL PIN MATERIAL: COPPER ALLOY
 - 3. SEE ITEM 5 & 6 IN PRINT 10064183 FOR PLATING SPEC OF 51752-038 AND 51752-038LF RESPECTIVELY.
 - 4 MANUFACTURER'S NAME, DATE CODE AND OPTIONAL P/N TO APPEAR ON THIS SURFACE. THE MARK CAN BE OMITTED IF THERE IS NOT ENOUGH SPACE ON THIS SURFACE.
 - 5. PRODUCT SPECIFICATION GS-12-149.
APPLICATION SPECIFICATION BUS-20-067.
 - 6. PACKAGED IN TRAYS.
- PCB NOTES:
- 7. ALL HOLE DIAMETERS ARE FINISHED HOLE SIZE.
 - 8 MOUNTING HOLES, WHERE APPLICABLE, ARE UNPLATED.
 - 9 $\varnothing 1.151 \pm 0.025$ DRILLED HOLES PLATED WITH
0.008 MIN SnPb OR Sn OVER 0.03
TO 0.08 Cu PLATING TO ACHIEVE
 $\varnothing 1.02 \pm 0.07$ HOLE.
 - 10 CONNECTOR KEEP-OUT ZONE.
 - 11. THE VOID CORING IN BETWEEN POWER MODULES, SIGNAL MODULES AND END MODULES ARE OPTIONAL AND THE SHAPE MAY BE DIFFERENT FOR OPTIMIZE THE MOLDING PROCESS. THE VOID CORING WILL NOT EFFECT TO PRODUCT FUNCTION.
 - 12. DATUM AND BASIC DIMENIONS ARE ESTABLISHED BY CUSTOMER.

dr	Ruan MT	2015/03/27	projection 	MM 	size	A4	scale	1:1
eng	De-Ming Lu	2015/04/10			ecn no	-		
chr	Fancy Zhang	2015/04/09			rel level	Released		
appr	Pei-Ming Zheng	2015/04/10	product family	PwrBlade	rev	51752-038	A	
		title	8P + 16S VERTICAL STB RECEPT		cat. no.	Product - Customer Drw		sheet 4 of 4
www.fci.com								