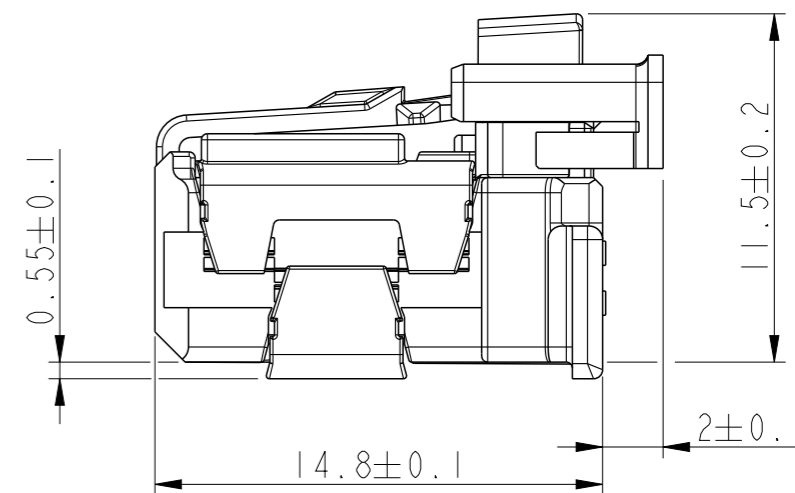
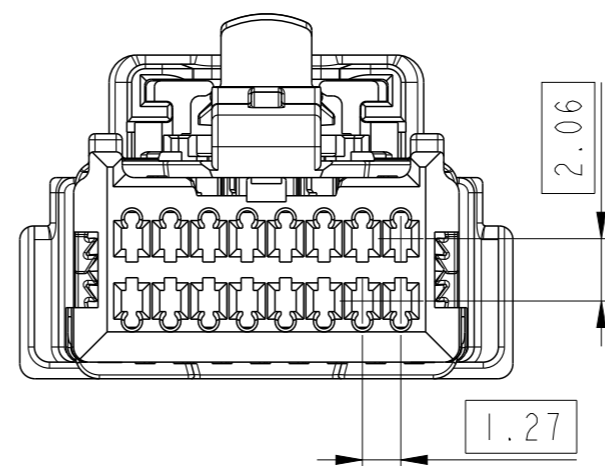


PRODUCT DESCRIPTION CODE :

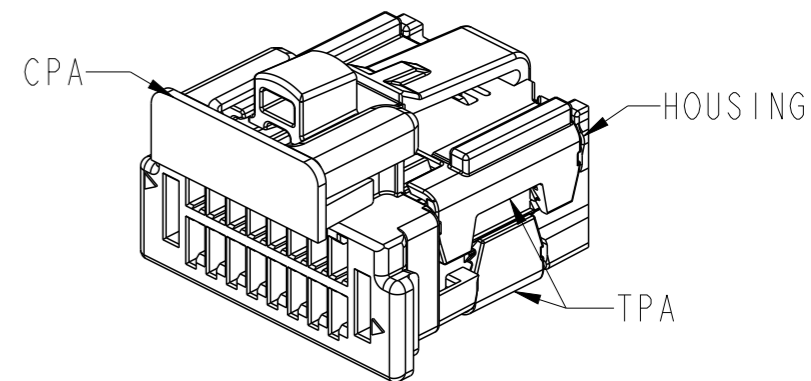
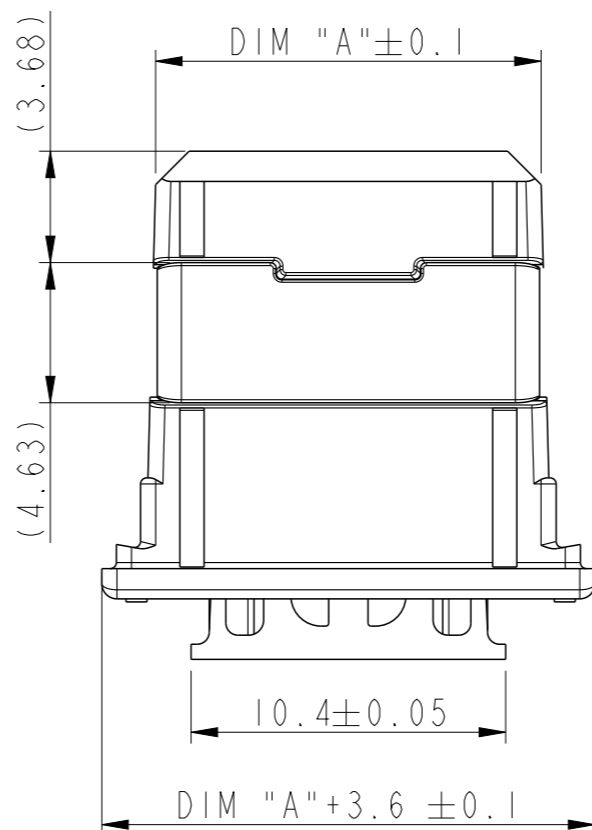
10145028-0XX LF

- R_oHS COMPATIBLE
- FOR CUSTOMER CODE :
BLANK = GENERAL USE
- PACKAGING :
BLANK = BULK
- NUMBER OF POSITIONS : 14 TO 30
- MATERIAL

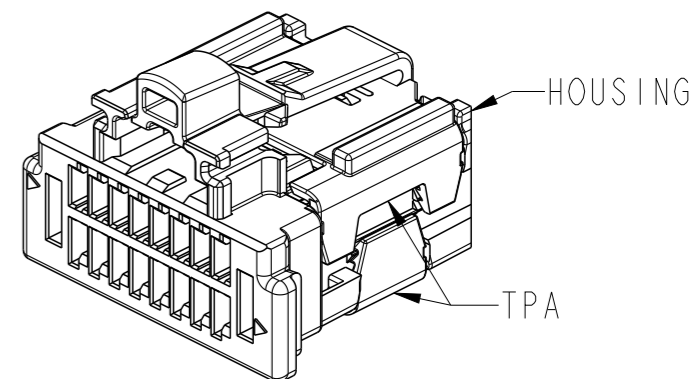


NOTES:

- 1 - MATERIAL:
HIGH TEMPERATURE THERMOPLASTIC
COLOR BLACK UL94 V-0
- 2 - FOR USE WITH MINITEK μ SPACE CTW TERMINALS :
AWG 28-30, SERIES 10141272 & 10148496
- 3 - TO BE MATED WITH MINITEK μ SPACE HEADERS SERIES
10145030 / 10145204
- 4 - THE PRODUCT IS NOT INTENDED TO BE EXPOSED TO ANY
SOLDER PROCESS.
- 5 - R_oHS COMPATIBLE PRODUCT SPECIFICATIONS
 - a - LABELLING :
MEETS PACKAGING SPECS AS PER GS-14-920
 - b - LEGAL STATEMENT :
SEE GS-47-0004.



10145028-0XXLF (WITH CPA)



VERSION WITHOUT CPA : OVER REQUEST

PRE-LOAD CONFIGURATION : DELIVERED STATUS

spec ref	-	dr	Sawanth, Ambaa	2018/11/01	projection	mm	size	A3	scale	4:1
tolerance std	ISO 406 ISO 1101	eng	Cyril Jeune	2019/04/25			ecn no	-	rel level	Released
TOLERANCES UNLESS OTHERWISE SPECIFIED		chr	Hyppias, Arnau	2019/04/25			product family	-	rel level	Released
surface	linear	0.X	±0.3		RECEPTACLE ASSEMBLY		dwg no	10145028	rev	A
		0.XX	±0.10		MINITEK μ SPACE STS DR 1.27 TOP LATCH		cat. no.	-	Product - Customer Drw	sheet 1 of 3
	angular	0°	±2°							

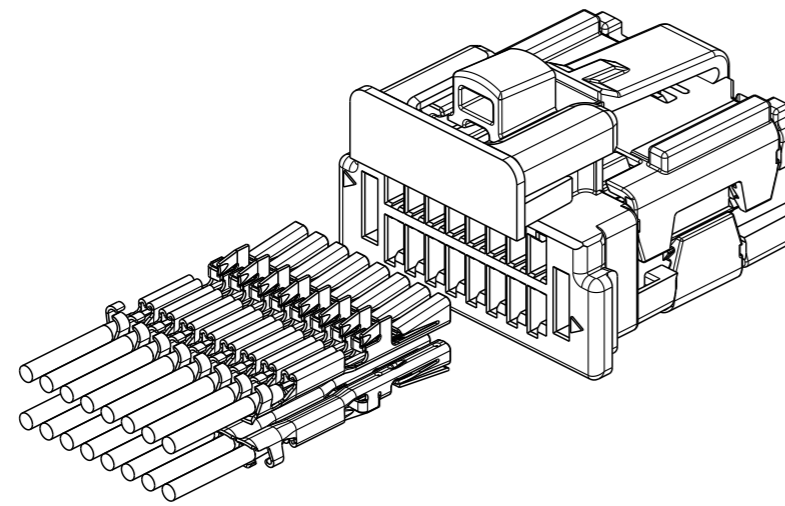
1

2

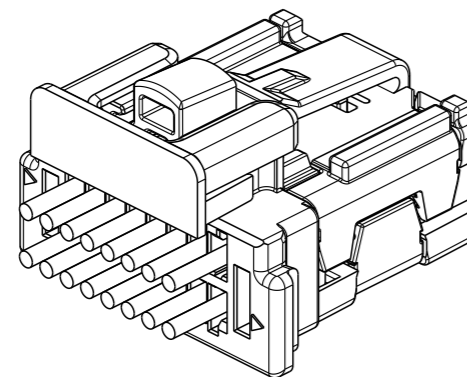
3

4

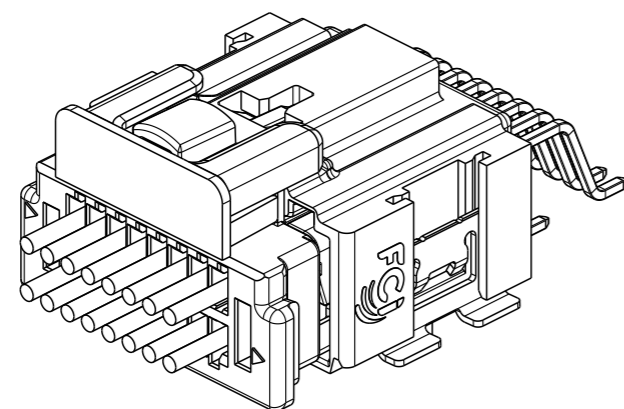
PART NO	NO. OF POSN	DIM "A"
10145028-014LF	14	11.48
10145028-016LF	16	12.75
10145028-018LF	18	14.02
10145028-020LF	20	15.29
10145028-022LF	22	16.56
10145028-024LF	24	17.83
10145028-026LF	26	19.10
10145028-028LF	28	20.37
10145028-030LF	30	21.64



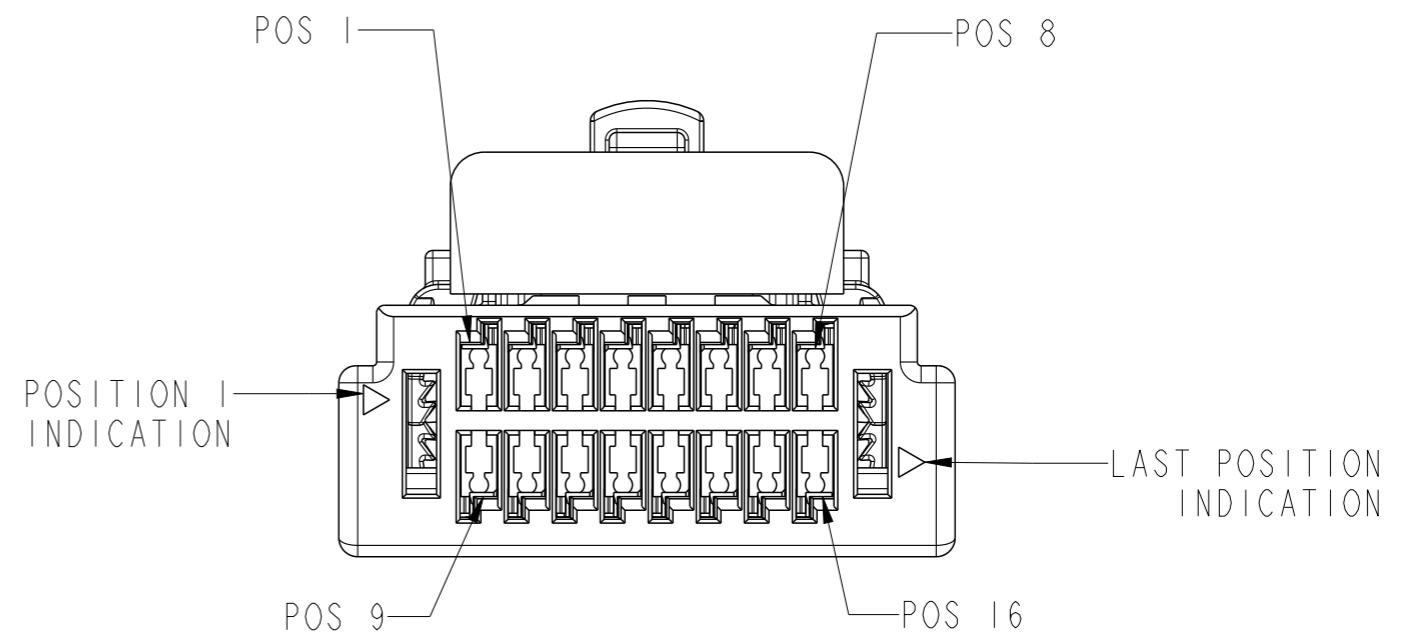
PRE-LOAD CONFIGURATION FOR TERMINAL INSERTION



FINAL LOAD CONFIGURATION WITH INSERTED TERMINAL



FULL HEADER AND RECEPTACLE ASSEMBLY CONFIGURATION



POSITION NUMBER INDICATION FOR 16POS

SCALE 5:1

Amphenol FCI

© 2016 AFCI

spec ref	-	dr	Sawanth, Ambaa	2018/11/01	projection	mm	size	A3	scale	3:1
tolerance std	ISO 406 ISO 1101	eng	Cyril Jeune	2019/04/25			ecn no	-	rel level	Released
TOLERANCES UNLESS OTHERWISE SPECIFIED		chr	Hyppias, Arnau	2019/04/25						
surface	linear	0.X	±0.3	Amphenol FCI	RECEPTACLE ASSEMBLY		dwg no	10145028	rev	A
		0.XX	±0.10		MINITEK μSPACE STS DR 1.27 TOP LATCH					
	angular	0°	±2°		cat. no.	-				

