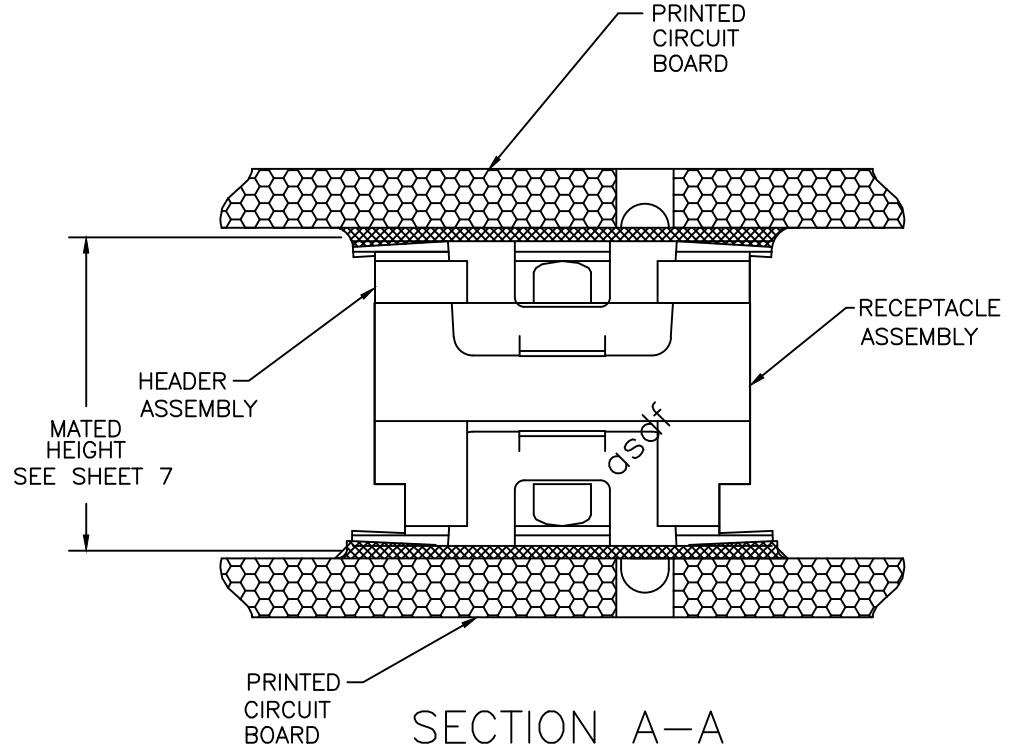
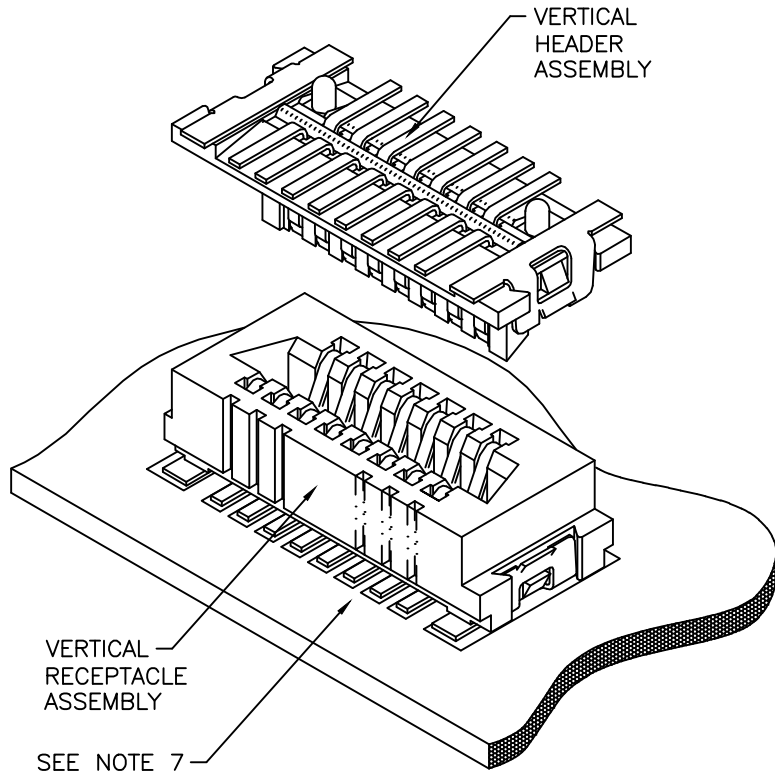


PRODUCT NUMBER  
SEE TABLE



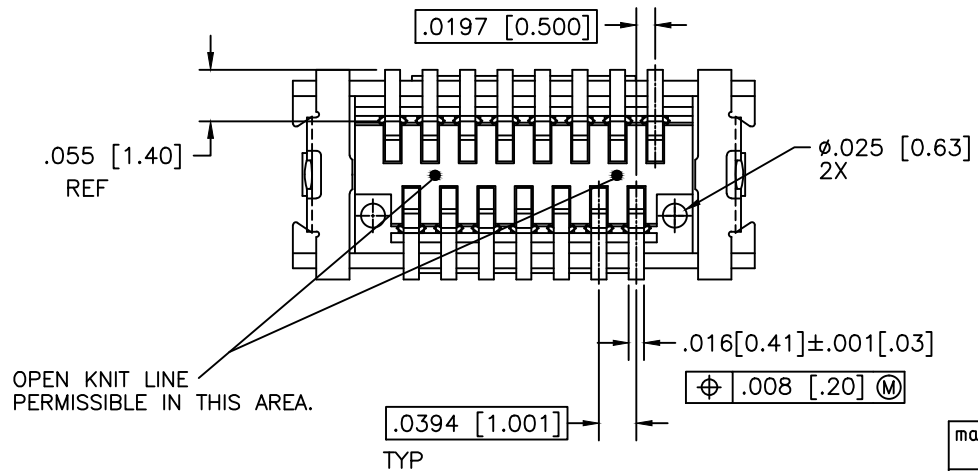
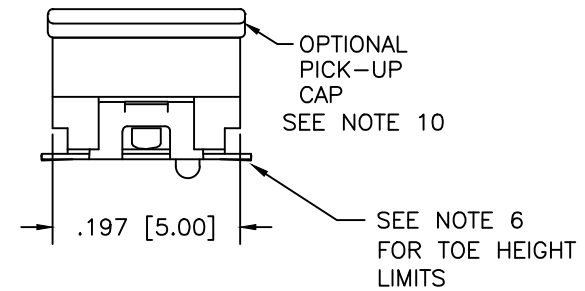
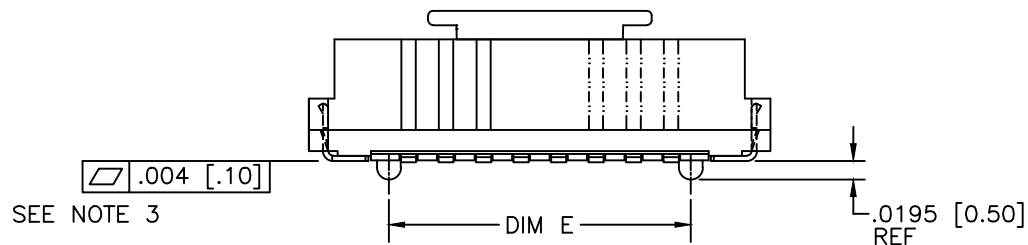
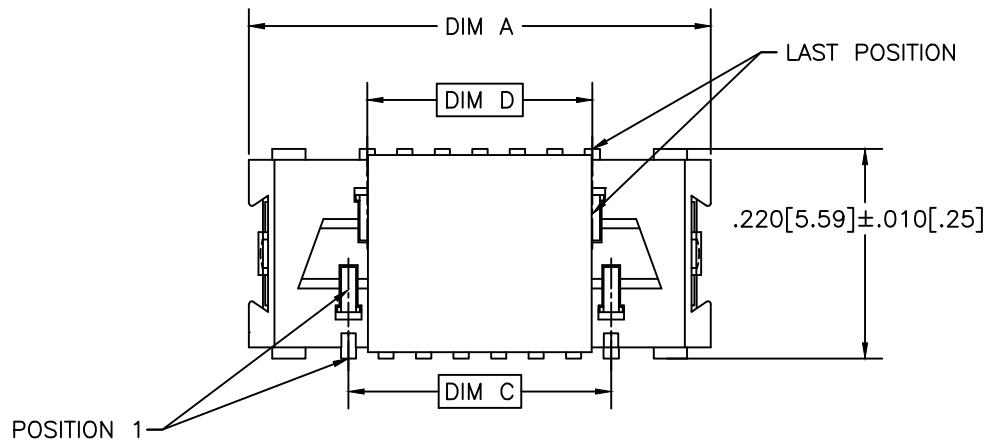
SECTION A-A  
ROTATED 90°  
N.T.S.



Copyright FCI

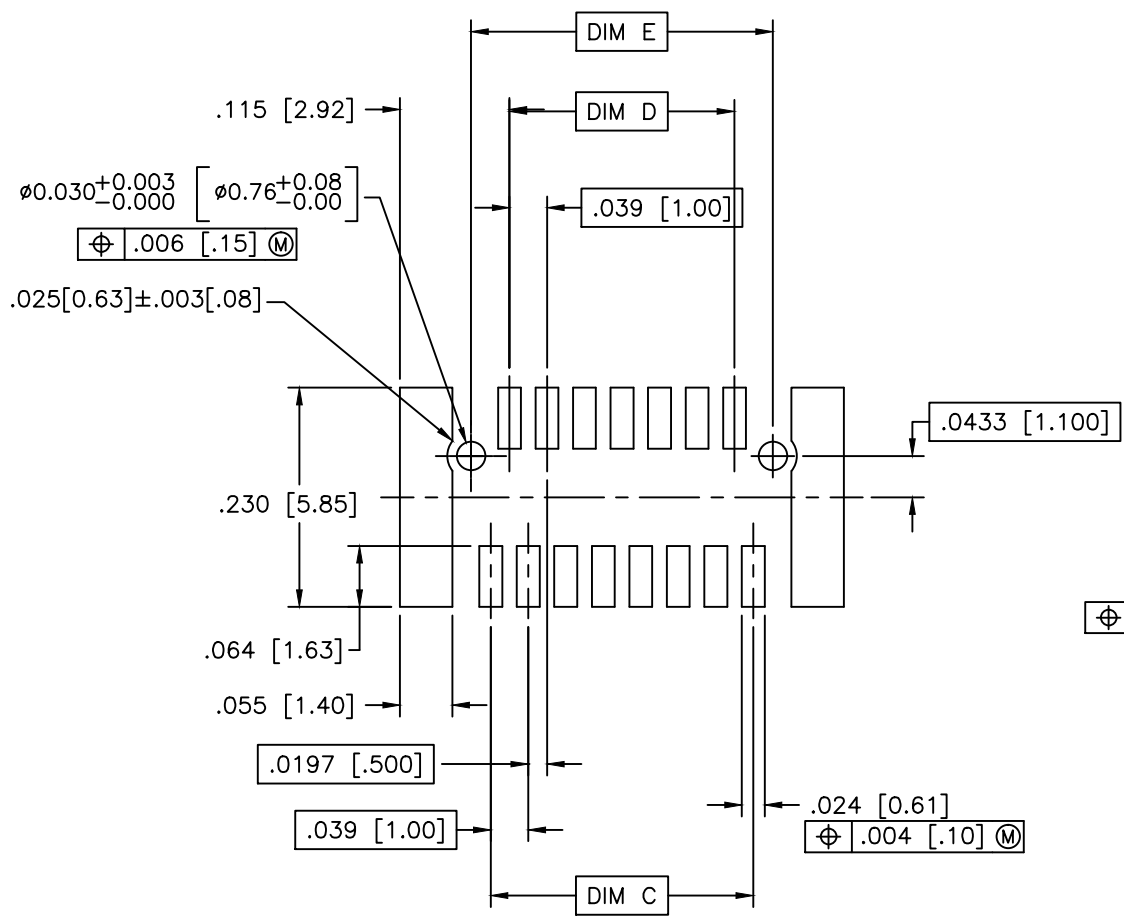
mat'l. code		surface ISO 1302		tolerance ISO 406 ISO 1101		projection 		product family CONAN		
ltr	ecn no	dr	date	tolerances unless otherwise specified		title		title		
A1	ELX-N-14208	Eric	03/12/15	angles	linear	INCH/MM		CONAN CONNECTOR ASSEMBLY		
-	-	-	-	0'±2'		scale 5:1		dwg no 10137985 sheet 1 of 7 size A3		
				dr	Eric Huang	7/12/15			type Product Customer Drawing	
				enr	Eric Huang	7/12/15				
				chr						
				appd	Tim Yao	7/12/15				
sheet index	revision sheet	A1	A1	A1	A1	A1	A1	A1	A1	
		1	2	3	4	5	6	7		

PRODUCT NUMBER  
SEE TABLE

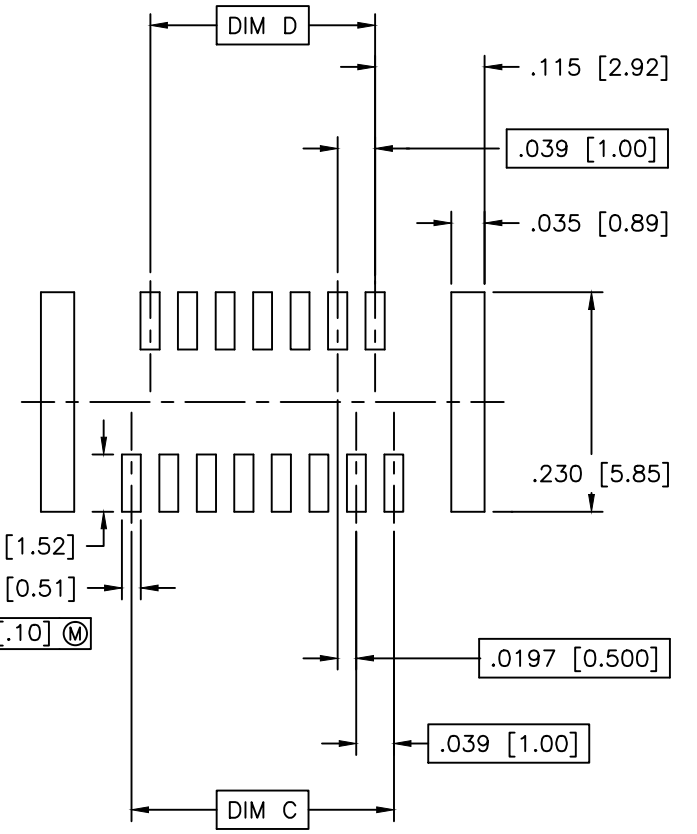


mat'l. code		surface ISO 1302 ✓	tolerance ISO 406 ISO 1101	projection INCH/MM	product family CONAN®
ltr	ecn no	dr	date	tolerances unless otherwise specified	title
				linear XX±.01/XX±0.3 XXX±.005/XXX±0.13 XXXX±.0020/XXXX±0.051	CONAN® CONNECTOR ASSEMBLY
				0°±2'	scale 5:1
		dr	Eric Huang	7/12/15	dwg no
		enr	Eric Huang	7/12/15	sheet 2 of 7 size
		chr			10137985 A3
		appd	Tim Yao	7/12/15	type Product Customer Drawing
sheet index	revision sheet				

PRODUCT NUMBER  
SEE TABLE



RECOMMENDED  
PAD LAYOUT



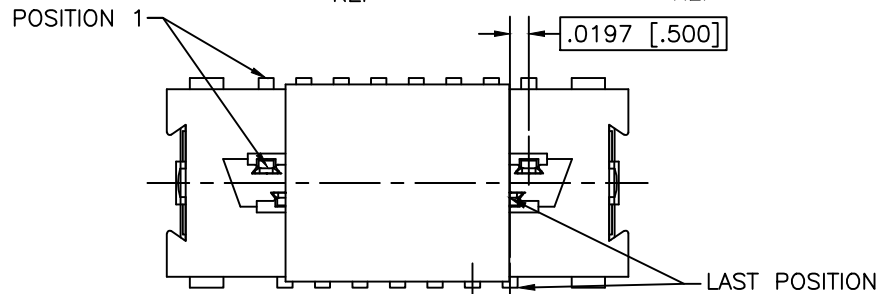
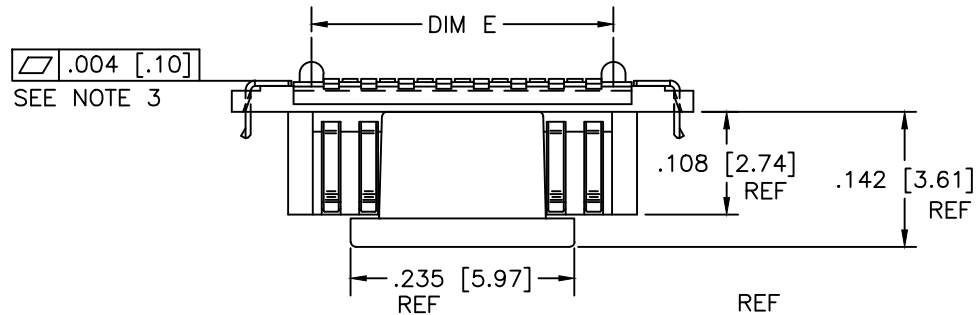
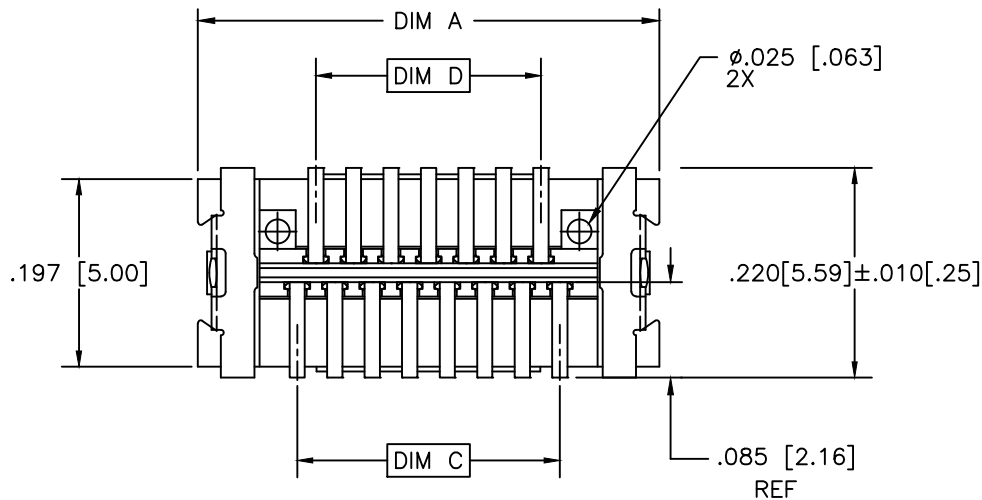
RECOMMENDED  
STENCIL LAYOUT  
FOR RECEPTACLE

mat'l. code		surface ISO 1302 ✓	tolerance ISO 406 ISO 1101	projection [Symbol]	product family CONAN
ltr	ecn no	dr	date	tolerances unless otherwise specified	title
				linear XX±.01/XX±0.3 XXX±.005/XXX±0.13 XXXX±.0020/XXXX±0.051	CONAN CONNECTOR ASSEMBLY
				angles 0°±2'	INCH/MM
				scale 5:1	dwg no 10137985
		dr	Eric Huang	7/12/15	sheet 3 of 7 size A3
		enr	Eric Huang	7/12/15	
		chr			
		appd	Tim Yao	7/12/15	type Product Customer Drawing
sheet index	revision sheet				



Copyright FCI

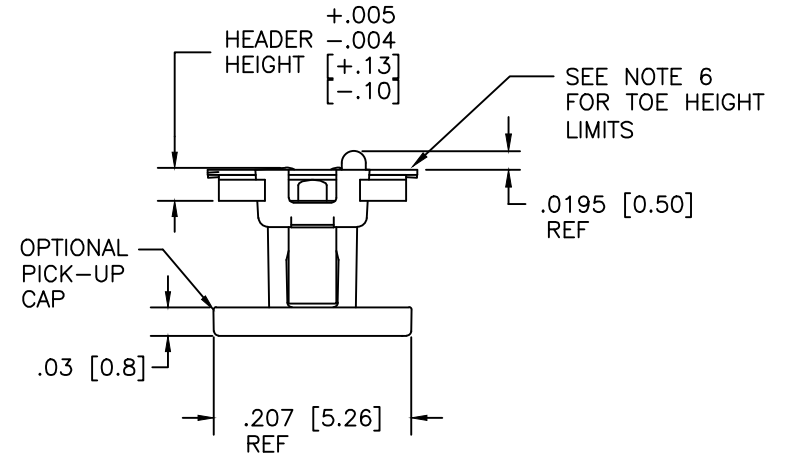
PRODUCT NUMBER  
SEE TABLE



$.016 [0.41] \pm .001 [.03]$

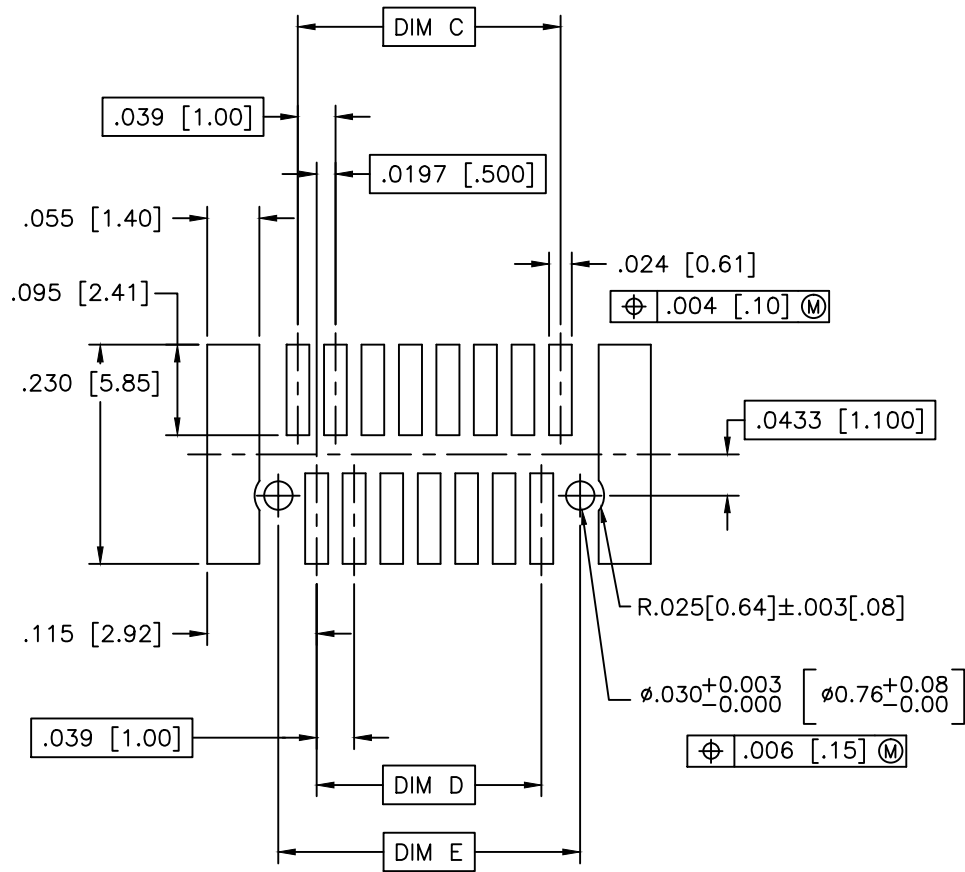
$\phi .008 [.20] \text{ (M)}$

$.0394 [1.001]$

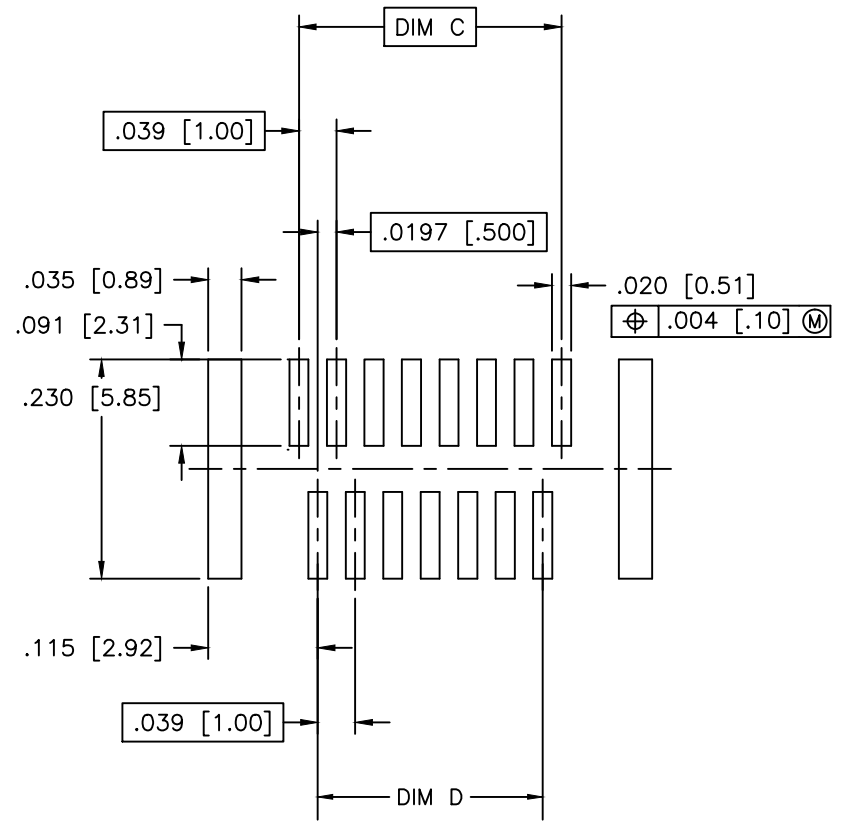


mat'l. code		surface ISO 1302	tolerance ISO 406 ISO 1101	projection 	product family CONAN
ltr	ecn no	dr	date	tolerances unless otherwise specified	title
				angles linear $.XX \pm .01 / X \pm 0.3$ $.XXX \pm .005 / .XXX \pm 0.13$ $.XXXX \pm .0020 / .XXX \pm 0.051$	CONAN CONNECTOR ASSEMBLY
				0'±2'	scale 5:1
		dr	Eric Huang	7/12/15	dwg no
		enr	Eric Huang	7/12/15	sheet 4 of 7
		chr			size
		appd	Tim Yao	7/12/15	10137985
					A3
					type Product Customer Drawing
sheet index	revision sheet				

PRODUCT NUMBER  
SEE TABLE



RECOMMENDED  
PAD LAYOUT



RECOMMENDED  
STENCIL LAYOUT  
FOR HEADER

mat'l. code		surface ISO 1302 ✓	tolerance ISO 406 ISO 1101	projection INCH/MM	product family CONAN®
ltr	ecn no	dr	date	tolerances unless otherwise specified	title
				linear XX±.01/XX±0.3 XXX±.005/XXX±0.13 XXXX±.0020/XXXX±0.051	CONAN® CONNECTOR ASSEMBLY
				angles 0°±2'	scale 5:1
		dr	Eric Huang	7/12/15	dwg no
		enr	Eric Huang	7/12/15	sheet 5 of 7 size
		chr			10137985 A3
		appd	Tim Yao	7/12/15	type Product Customer Drawing
sheet index	revision sheet				

PRODUCT NUMBER	POS	DIM "A"	DIM "C"	DIM "D"	DIM "E"
10137985-TCWXY09					
↑					
-TCWXY69	69	1.547 [39.30]	1.339 [34.00]	1.299 [33.00]	1.3800 [35.052]
↓					
-TCWXY69LF					

NOTES:

- MATERIALS:
  - RECEPTACLE HOUSING - LCP, UL-94V-0. COLOR: NATURAL.
  - RECEPTACLE TERMINALS - COPPER ALLOY, PLATED WITH 15u"/.38u GXT™ IN CONTACT AREA AND 100u"/2.54u Sn ON SOLDER LEGS WITH AN OVERALL 50u"/1.27u Ni UNDERPLATE.
  - HEADER HOUSING - LCP, UL-94V-0. COLOR: NATURAL.
  - HEADER TERMINALS - COPPER ALLOY, PLATED WITH 15u"/.38u GXT™ IN CONTACT AREA AND 100u"/2.54u Sn ON SOLDER LEGS WITH AN OVERALL 50u"/1.27u Ni UNDERPLATE.
  - RETENTION DEVICE - BRASS, PLATED WITH 100u"/2.54u Sn OVER NICKEL.
- REFERENCE GS-12-006 FOR PRODUCT PERFORMANCE DATA.
- SEE TA-774 FOR FURTHER DESCRIPTION OF HOW THIS DIMENSION IS APPLIED.
- PICK IS ONLY AVAILABLE WITH OPTION 3 PACKAGING. (PSA ADHESIVE SEALED). ALSO, PSA PACKAGING REQUIRES A PICK.
- RECOMMENDED SOLDER PASTE THICKNESS IS .006 TO .008 INCHES THICK.
- THE TOE HEIGHT OF THE SOLDER TAIL SHALL BE MEASURED FROM THE LOWEST POINT OF THE .004 CO-PLANARITY GRAVITY PLANE. THIS MEASUREMENT IS NOT TO EXCEED A WINDOW OF .000 TO .007 INCHES.
- THREE SLOTS MAY BE LOCATED AT EITHER END OF HOUSING.
- THE HOUSING WILL WITHSTAND EXPOSURE TO 260°C PEAK TEMPERATURE FOR 30 SECONDS IN A CONVECTION INFRA RED OR VAPOR PHASE REFLOW OVEN. SEE APPLICATION/PROCEDURES IF THEY ARE AVAILABLE
- PRODUCT WITH "LF" AT THE END MEETS EUROPEAN UNION DIRECTIVES AND OTHER COUNTRY REGULATION AS DESCRIBED IN GS-22-008.
- CAP P/N 93127 IS ONLY APPLY TO CONAN CONNECTOR RECEPTACLE



FCIconnect.com

Copyright FCI

mat'l. code		surface	tolerance	projection	product family
		ISO 1302	ISO 406 ISO 1101		CONAN
ltr		ecn no dr date		title	
		tolerances unless otherwise specified		CONAN CONNECTOR ASSEMBLY	
		angles	linear	INCH/MM	
			.XX±.01/XX±0.3		
			.XXX±.005/XXX±0.13		
		0'±2'	.XXXX±.0020/XXX±0.05	scale 5:1	
		dr	Eric Huang	7/12/15	dwg no
		enr	Eric Huang	7/12/15	sheet 6 of 7
		chr			size
		appd	Tim Yao	7/12/15	10137985
sheet		revision			A3
index		sheet			type Product Customer Drawing

PRODUCT NUMBER  
SEE TABLE

### CONAN ASSEMBLY PART NUMBER

10137985 - T C W X Y ZZ LF

LEAD FREE OPTION  
SEE NOTE 9

TYPE	T
RECEPTACLE WITH PEGS	3

ZZ	NUMBER OF POSITIONS
69	69

Y	HEADER HEIGHT	RECEPTACLE HEIGHT	MATED HEIGHT +.010 -.008 [+.25] [-.20]
1	.034 [.86]	.129 [3.28]	.163 [4.15]

PICK AND PLACE CAP OR TAPE (NOTE 4)	C
WITH CAP	1

X	PLATING
1	15u"/.38u GXT™

PACKAGING	W
PRESSURE SEALED TAPE & REEL	3

EXAMPLE: 10137985-2131125LF  
IS A CONAN RECEPTACLE ASSEMBLY,  
HAVING NO PEGS AND WITH A PICK AND PLACE CAP.  
IT ALSO HAS GXT™ PLATING, IS .13 [3.2] HIGH AND 25  
POSITIONS AND IS PACKAGED IN PRESSURE SEALED TAPE,  
REEL AND LEAD FREE.

mat'l. code		surface ISO 1302 <input checked="" type="checkbox"/>	tolerance ISO 406 ISO 1101	projection 	product family CONAN
ltr	ecn no	dr	date	tolerances unless otherwise specified	title
				angles linear XX±.01/XX±0.3 XXX±.005/XXX±0.13 XXX±.0020/XXX±0.051	INCH/MM
				0'±2'	scale 5:1
		dr	Eric Huang	7/12/15	FCJ dwg no 10137985 sheet 7 of 7 size A3
		enr	Eric Huang	7/12/15	
		chr			
		appd	Tim Yao	7/12/15	type Product Customer Drawing
sheet index	revision sheet				