

PRODUCT NUMBERING:

10137239 - 0 0 X X LF

LEAD FREE

0: INSULATION DIAMETER 1.05 - 1.15mm (L)

1: INSULATION DIAMETER 0.93 - 1.05mm (M)

1: PLUG TOP SHELL TYPE I

2: PLUG TOP SHELL TYPE II

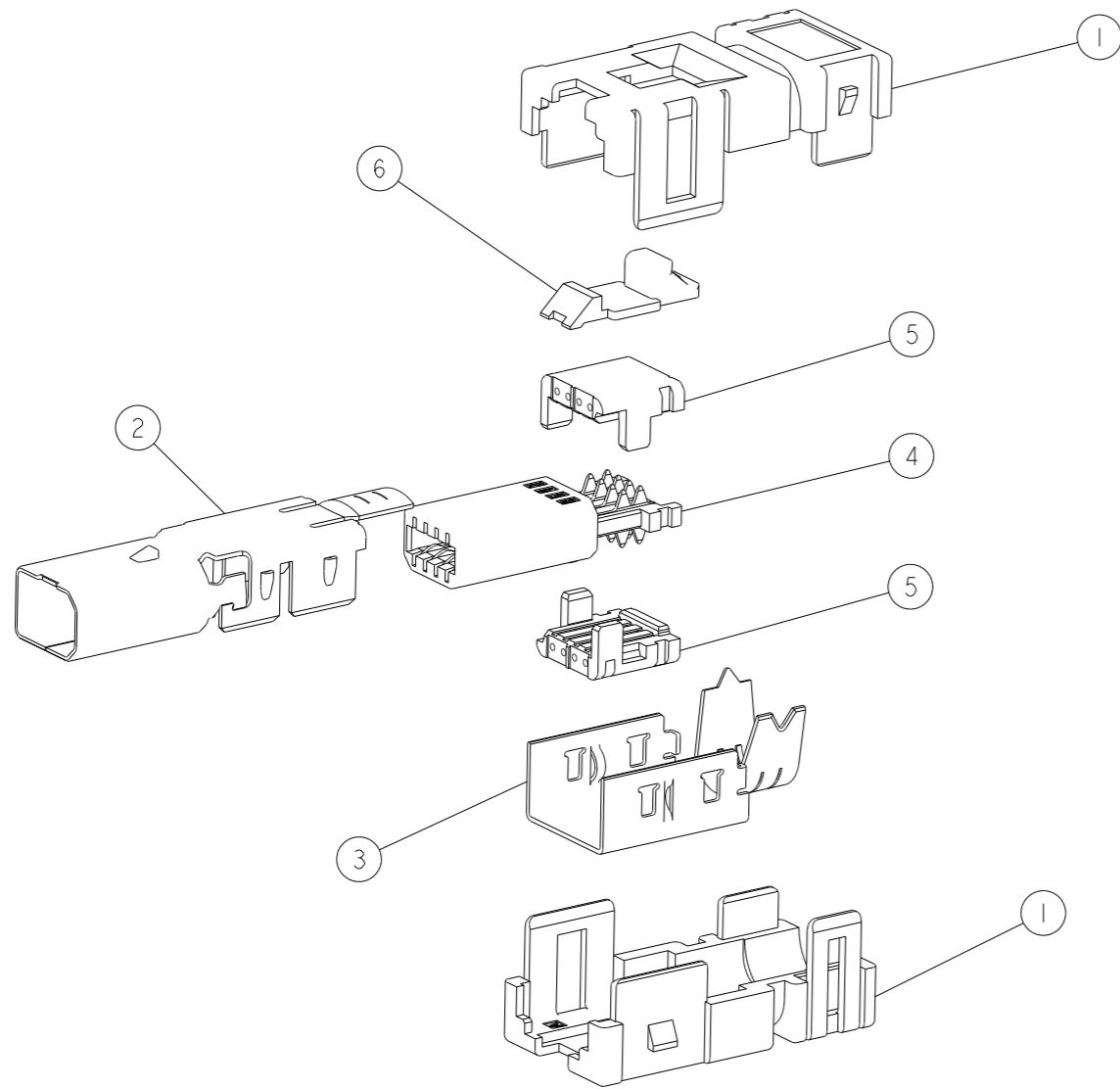
NOTES:

1. APPLICABLE CABLE: RECOMMENDED AWG- 30~26 X 8C  
MAX AWG22 x4C  
OVERALL DIAMETER 6.7MAX.

2. DATE CODE IS DESCRIBED ON THE BOUNDED CUSTOMER DRAWING.

3. PACKAGING SPEC GS-14-2538

4. APPLICATION SPEC FOR HANDTOOL: GS-20-0484

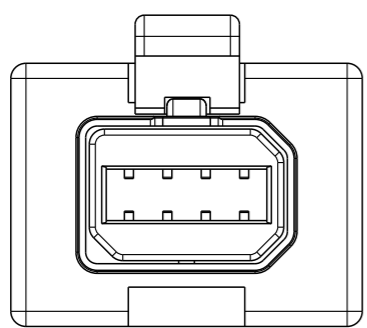


10137239-0010LF  
SHOWN

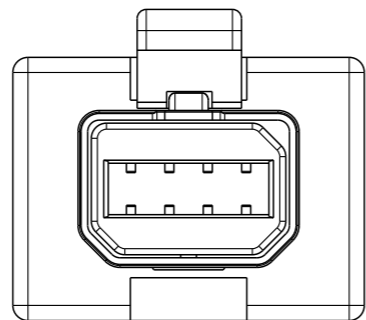
S.NO	PART NAME	MATERIAL/FINISH	-0010LF	-0020LF	-0011LF	-0021LF
1	PLUG COVER HSG	THERMO PLASTIC	2	2	2	2
2	PLUG TOP SHELL TYPE I	MATERIAL: COPPER ALLOY FINISH: Ni PLATING	1	-	1	-
	PLUG TOP SHELL TYPE II	MATERIAL: COPPER ALLOY FINISH: Ni PLATING	-	1	-	1
3	BOTTOM SHELL	MATERIAL: COPPER ALLOY FINISH: Ni PLATING	1	1	1	1
4	PLUG SUB ASSY	HSG MATERIAL: THERMO PLASTIC  CONTACT MATERIAL: COPPER ALLOY FINISH: Ni PLATING ALL OVER CONTACT AREA Au PLATING TERMINATION AREA Au PLATING	1	1	1	1
5	CABLE HSG Ø1.05-1.15 COLOR BLUE	THERMO PLASTIC	2	2	-	-
	CABLE HSG Ø0.93-1.05 COLOR: RED	THERMO PLASTIC	-	-	2	2
6	LOCK HSG	THERMO PLASTIC	1	1	1	1

spec ref	GS-12-1347	dr	A P Sawanth	2016/09/07	projection	mm	size	A3	scale	3:1	
tolerance std	ISO 406 ISO 1101	eng	Julie Carraz	2016/09/09		mm	ecn no	-	rel level	Released	
TOLERANCES UNLESS OTHERWISE SPECIFIED		chr	Laurent Mulin	2016/09/09							product family
surface	linear	0.X	±0.5	<b>Amphenol FCI</b>	INDUSTRIAL MINI I/O PIERCING PLUG CONN KIT		dwg no	10137239	rev	A	
		0.XX	±-		cat. no.	Product - Customer Drw					sheet 1 of 2
	angular	0°	±-°								

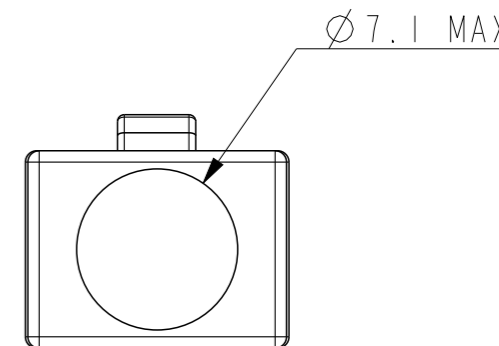
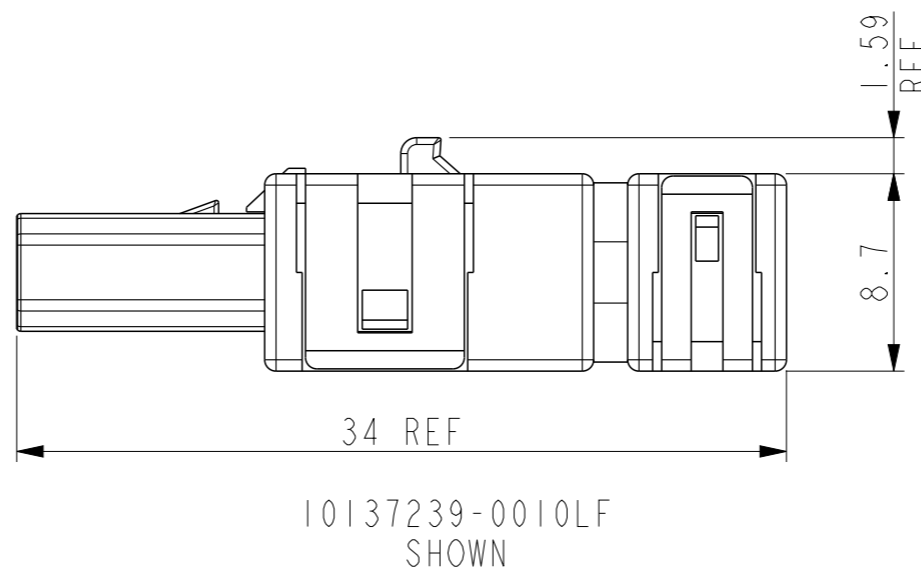
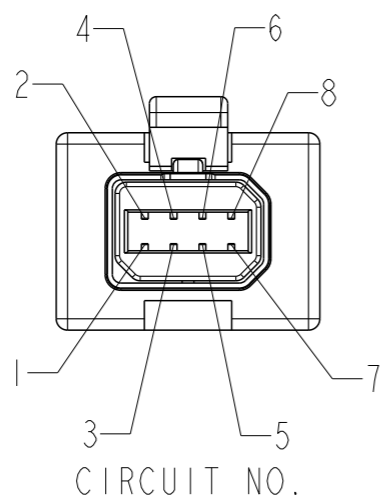
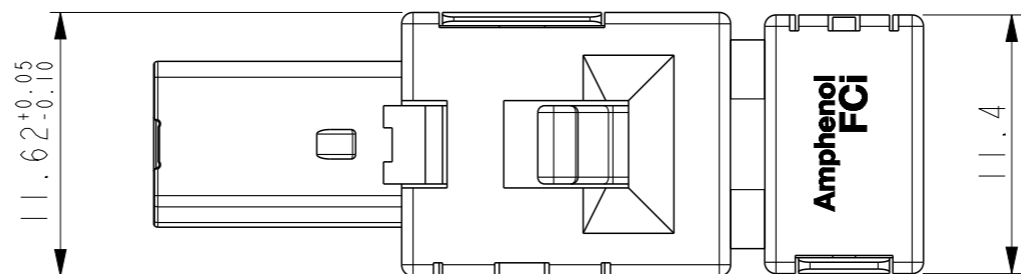
**PRELIMINARY**



MATING SHAPE : TYPE I  
 -0010LF, -0011LF  
 SCALE 4:1



MATING SHAPE : TYPE II  
 -0020LF, -0021LF  
 SCALE 4:1



**PRELIMINARY**

spec ref	GS-12-1347			dr	A P Sawanth	2016/09/07	projection 	mm 	size	A3	scale	3:1	
tolerance std	TOLERANCES UNLESS OTHERWISE SPECIFIED			eng	Julie Carraz	2016/09/09			ecn no	-			
ISO 406 ISO 1101				chr	Laurent Mulin	2016/09/09			rel level	Released			
surface	linear	0.X	±0.5	Amphenol FCi	title			INDUSTRIAL MINI I/O PIERCING PLUG CONN KIT	dwg no	10137239		rev	A
ISO 1302		0.XX	±-		cat. no.								
	0.XXX	±-	Product - Customer Drw			sheet 2 of 2							
angular	0°	±°	PDS: Rev :A				STATUS:Released		Printed: Sep 09, 2016				