



Amphenol
FCi

© 2016 AFci

© 2016 AFci

1

2

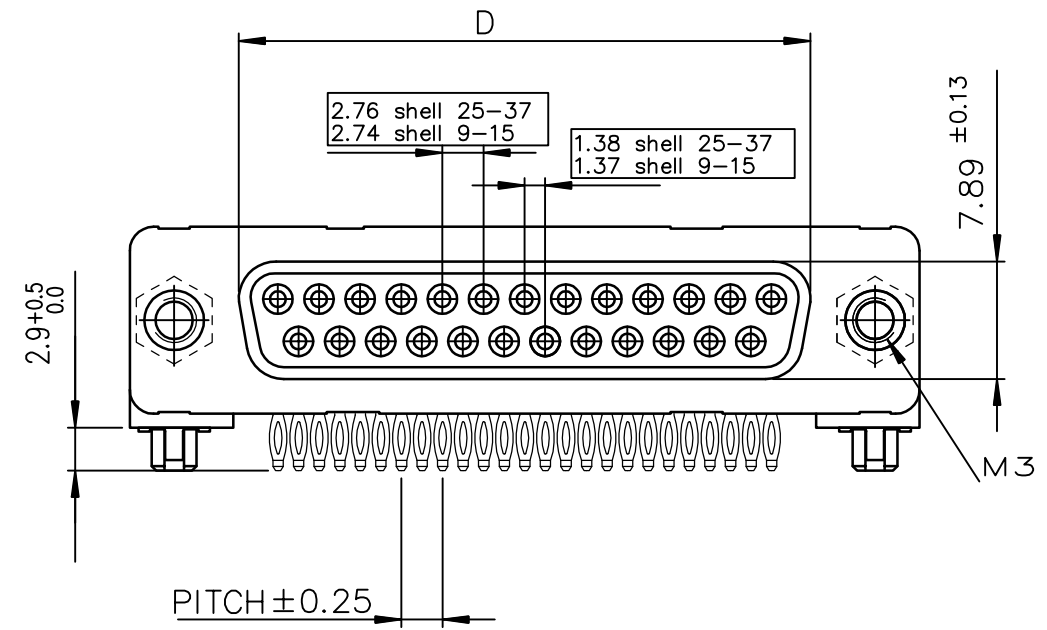
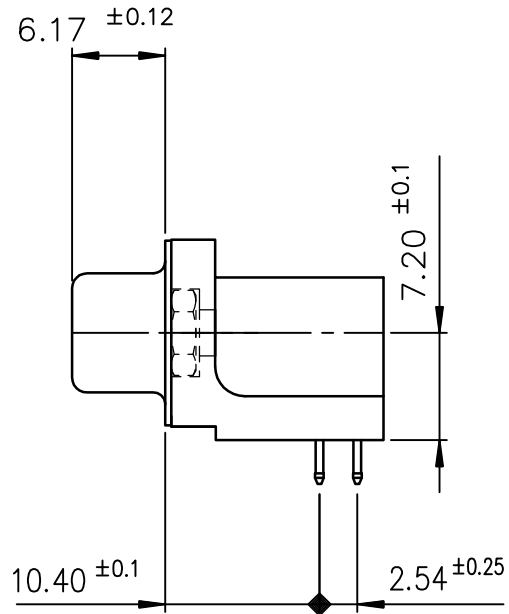
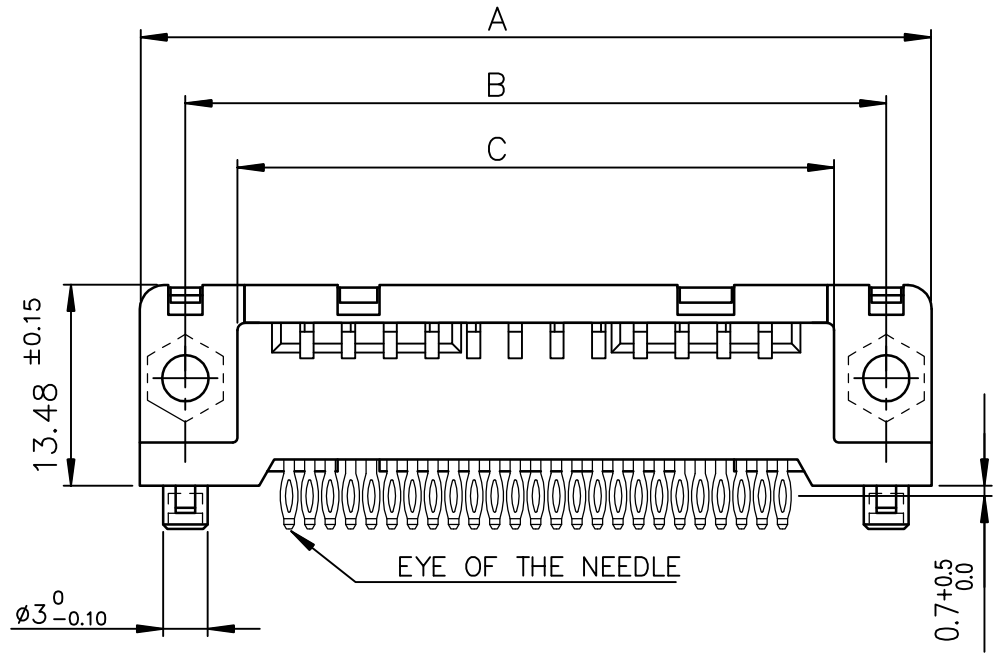
3

4

5

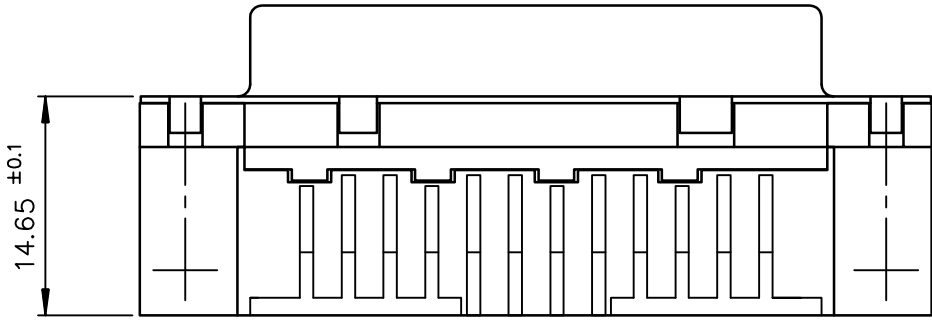
6

view shown without plastic pin and grounding

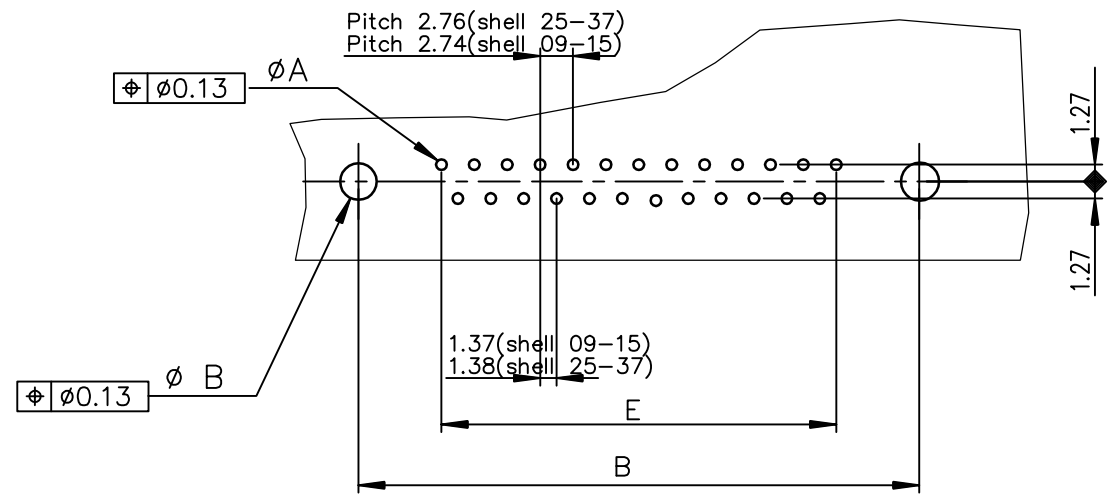
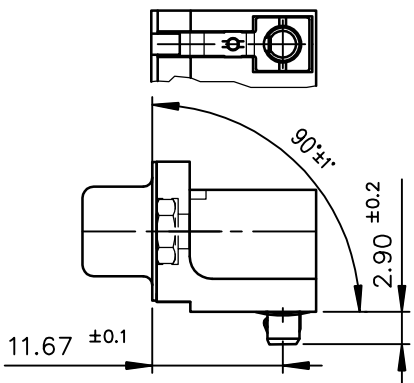


PC card drilling dimensions(after plating)

(thickness 1.60 ± 0.20)



Detail of grounding strip



GENERAL CHARACTERISTICS AND ROHS INFORMATIONS:

SEE DRAWING C01-8646-0001

SHELL	A±0.38	B±0.12	C±0.10	D±0.25	E±0.07	LEAD FREE	LEAD FREE
09	30.81	24.99	18.00	16.21	10.96	D09S81C4GL00LF	D09S81C6GL00LF
15	39.14	33.32	26.32	24.54	19.18	D15S81C4GL00LF	D15S81C6GL00LF
25	53.03	47.04	40.04	38.25	33.12	D25S81C4GL00LF	D25S81C6GL00LF
37	69.32	63.50	56.50	54.71	49.68	D37S81C4GL00LF	D37S81C6GL00LF
						Gold flash	0.76 μ gold/GxT

mat'l. code		surface		tolerance		projection		product family	
-		ISO 1302 ✓		ISO 406 ISO 1101				D-SUB	
ltr		ecn no		dr		date		title	
G		ELX-I-18050		MP		2014/06/23		FEMALE CONNECTOR DELTA-DEUROPE	
H		ELX-I-33101		GM		2019-04-01		RIGHT ANGLED PRESS FIT	
								dwg no	
								sheet 1 of 1	
								size	
								A3	
								type	
								Product Customer Drawing	
sheet index		revision sheet		H					
				1					