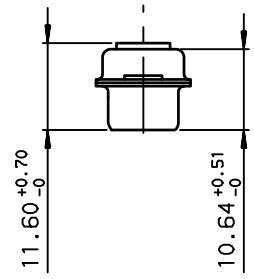
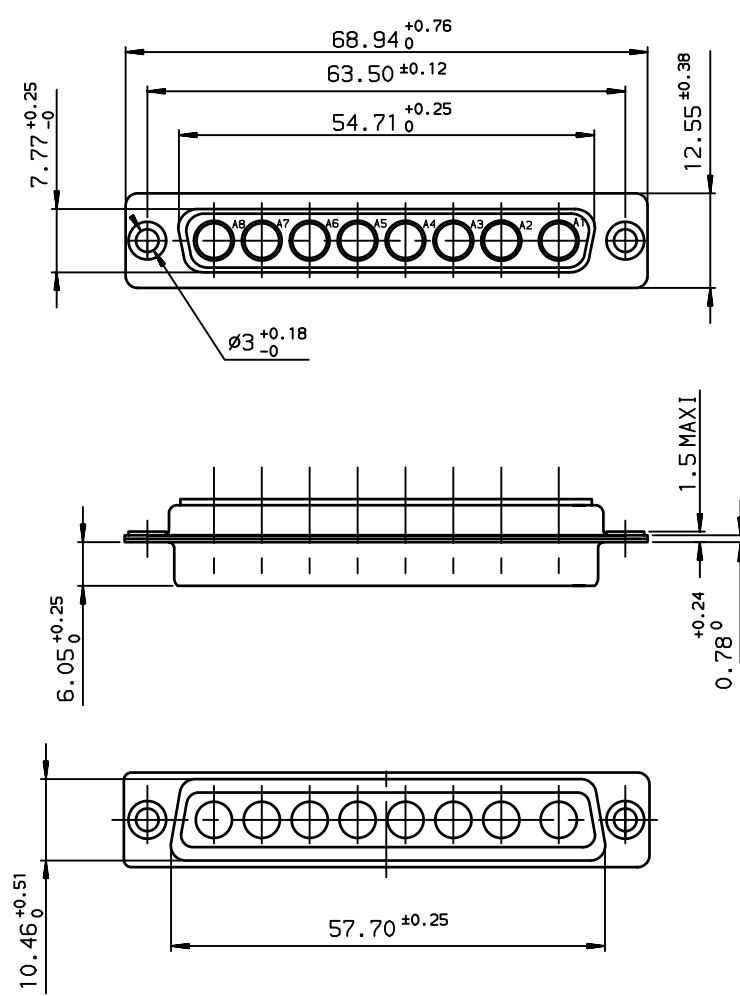




Copyright FCJ.



TIN LEAD PART NUMBER

Core range
DC8W8SA00
PART NUMBER

GENERAL CHARACTERISTICS : SEE DRAWING C01-8639-0003

European Views

rev	ecn no	dr	date
C	-	BAR	2003/11/03
D	LS05-003	MPE	2005/03/28
E	LS07-0085	MPE	2007/03/21
F	LS07-0087	MPE	2007/03/22
-	-	-	-
-	-	-	-
-	-	-	-

www.fciconnect.com		surface ISO 1302 ✓	tolerance std ISO 406 ISO 1101	projection ↗	mm ↔
TOLERANCES UNLESS OTHERWISE SPECIFIED					
Dr	JARRY	1996/05/02	ANGULAR	0.X ±0.1	size A3 Scale 1.5
Eng	PESSON	1996/05/02	LINEAR	0.XX ±0.1	ECN LS07-0087
Chr	LEGARE	1996/05/02		0.XXX ±0.1	
Appr	LEGARE	1996/05/02	Product family	D-SUB	Spec ref -
FCJ		title SOCKET CONNECTOR FOR POWERS CONTACTS .		dwg no C01-8639-0612-1	Rev. F
catalog no		-		CUSTOMER	sheet 1 of 1

REV F - 2006-04-17