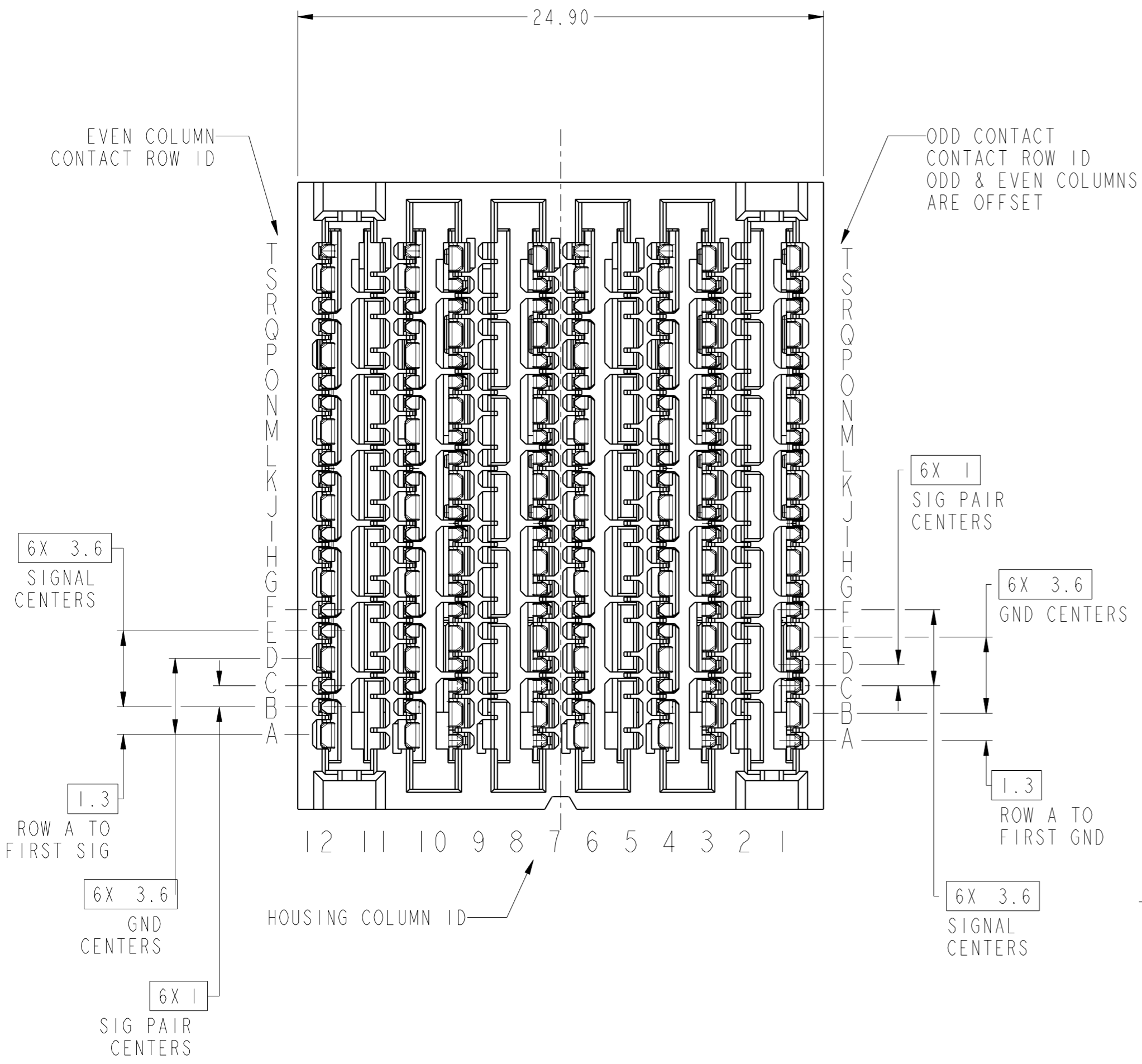
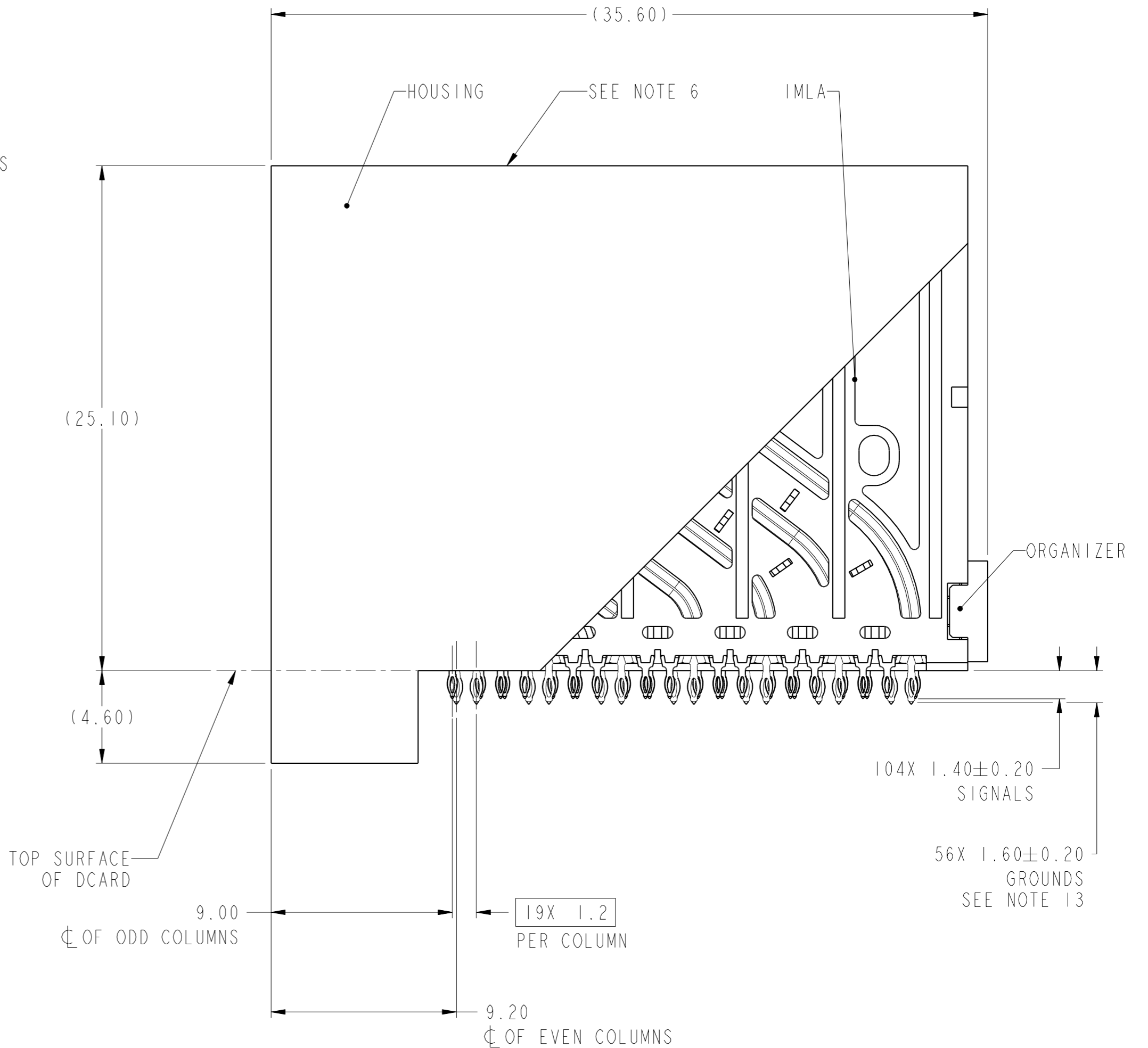


| | |
|----------------|---|
| PRODUCT NUMBER | NOTES |
| 10137045-101LF | ONLY COLUMNS 1, 3, 4, 6, 7, 9, 10 AND 12 ARE LOADED WITH CONTACTS |

A
B
C
D
E
F



10137045-101LF



Amphenol
FCi

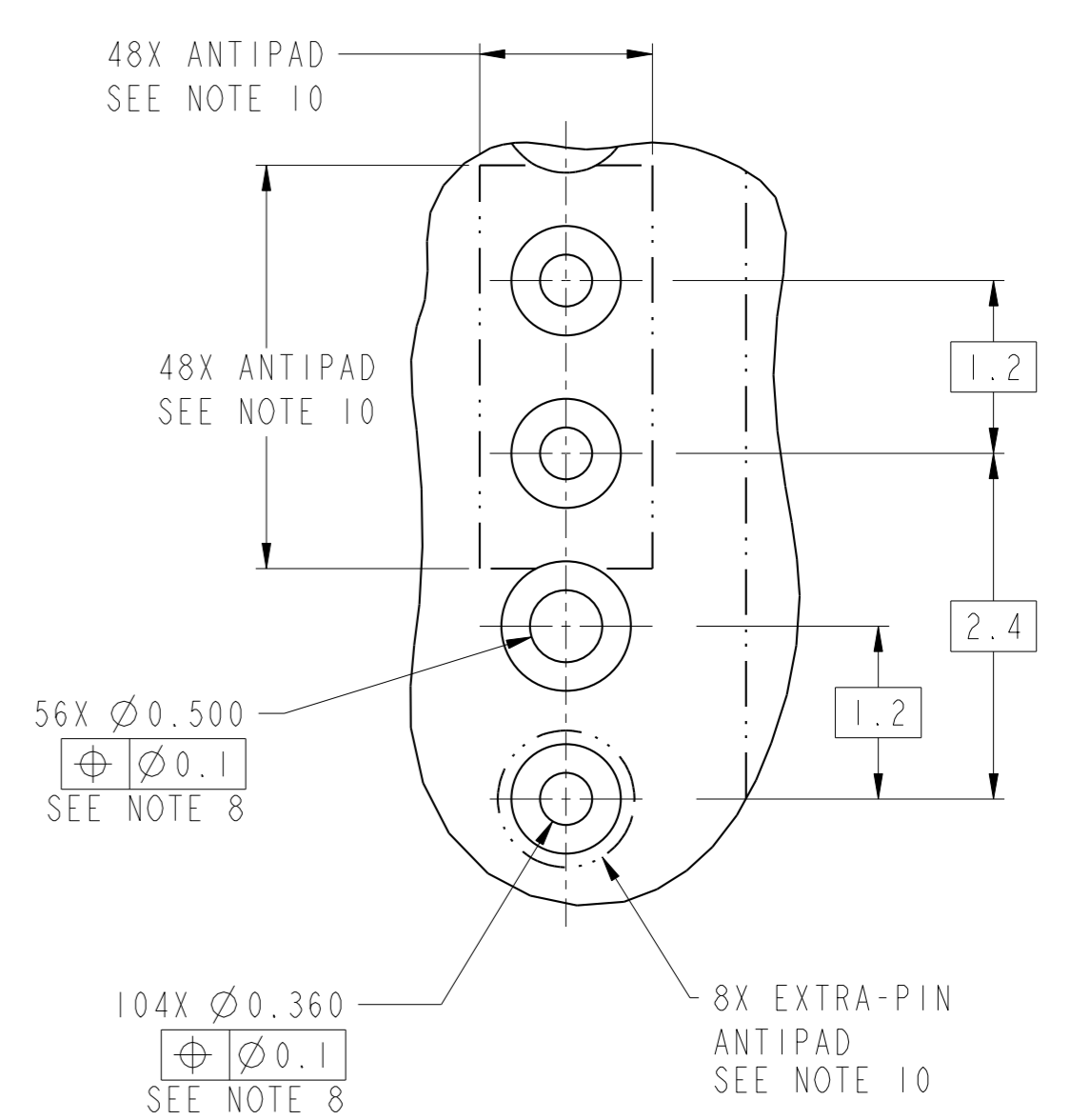
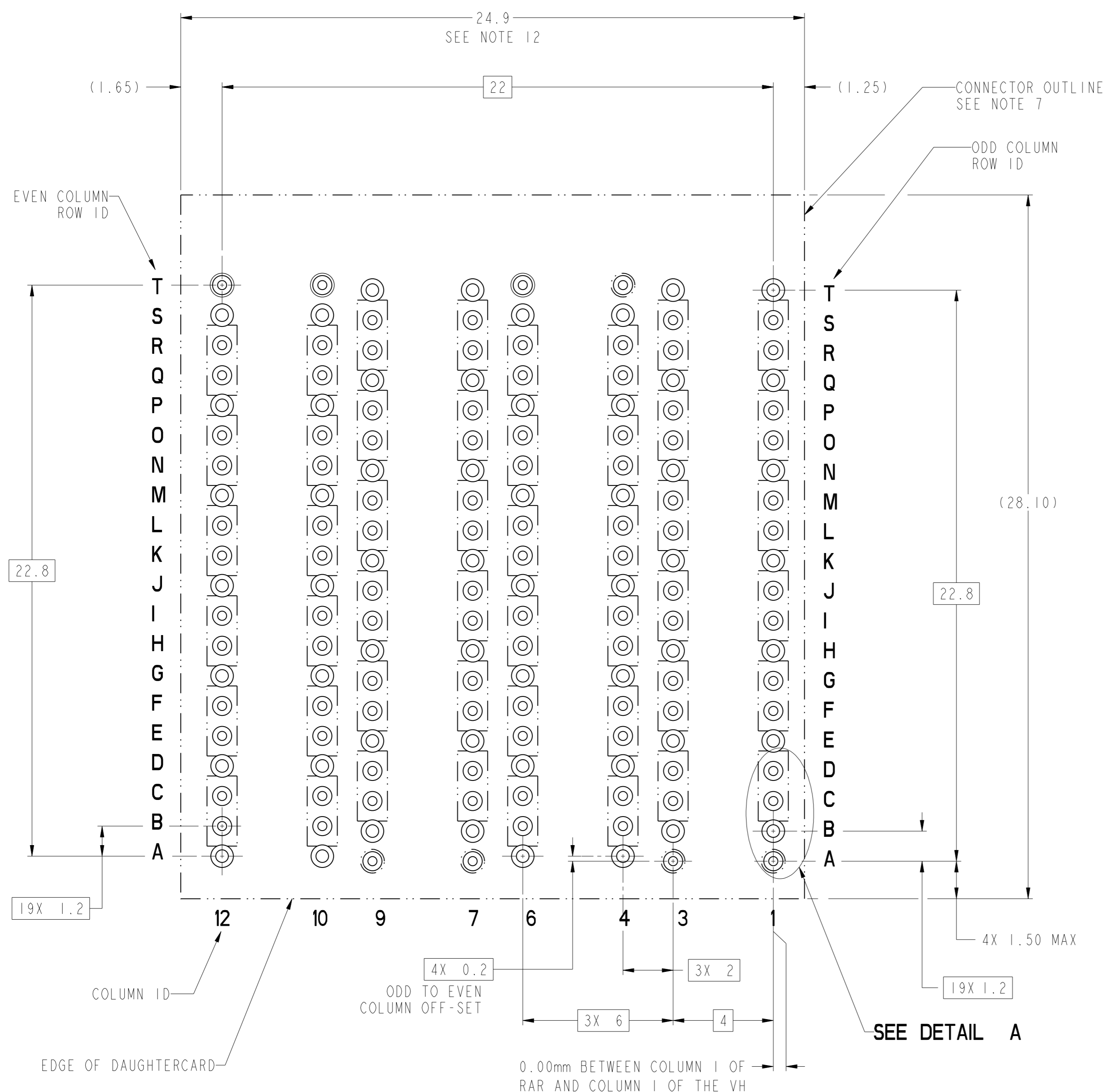
© 2016 AFci

| | | | | | | | | | | | | | | | | | | | | | | |
|---------------|---|--------|--------------|------------|------------|------------------------|--------------|----------------|-----------|----------|----------------|--------|-----|-----|------------|-----------|-------|------------------------|--------|----------|-----|---|
| spec ref | SEE NOTES | dr | Terry Luo | 2015/09/16 | projection | MM | size | A2 | scale | 5:1 | | | | | | | | | | | | |
| tolerance std | TOLERANCES UNLESS OTHERWISE SPECIFIED | eng | Peng-Bing Fu | 2017/1/01 | | | ecn no | ELX-DG-28235-1 | rel level | Released | | | | | | | | | | | | |
| ASME Y14.5M | | chr | Justin Chen | 2017/11/29 | | | | | | | product family | ExaMAX | | | | | | | | | | |
| surface | <table border="1"> <tr> <td>linear</td> <td>0.X</td> <td>±.3</td> </tr> <tr> <td></td> <td>0.XX</td> <td>±.10</td> </tr> <tr> <td></td> <td>0.XXX</td> <td>±.050</td> </tr> <tr> <td>angular</td> <td>0°</td> <td>±2°</td> </tr> </table> | linear | 0.X | ±.3 | | 0.XX | ±.10 | | 0.XXX | ±.050 | angular | 0° | ±2° | app | Heaven Cen | 2017/1/30 | title | ExaMAX R.A. RECEPTACLE | dwg no | 10137045 | rev | B |
| linear | 0.X | ±.3 | | | | | | | | | | | | | | | | | | | | |
| | 0.XX | ±.10 | | | | | | | | | | | | | | | | | | | | |
| | 0.XXX | ±.050 | | | | | | | | | | | | | | | | | | | | |
| angular | 0° | ±2° | | | | | | | | | | | | | | | | | | | | |
| | | | | | cat. no. | Product - Customer Drw | sheet 1 of 3 | | | | | | | | | | | | | | | |

PDS: Rev :B

STATUS:Released

Printed: Dec 12, 2017



DETAIL A
SCALE 20:1

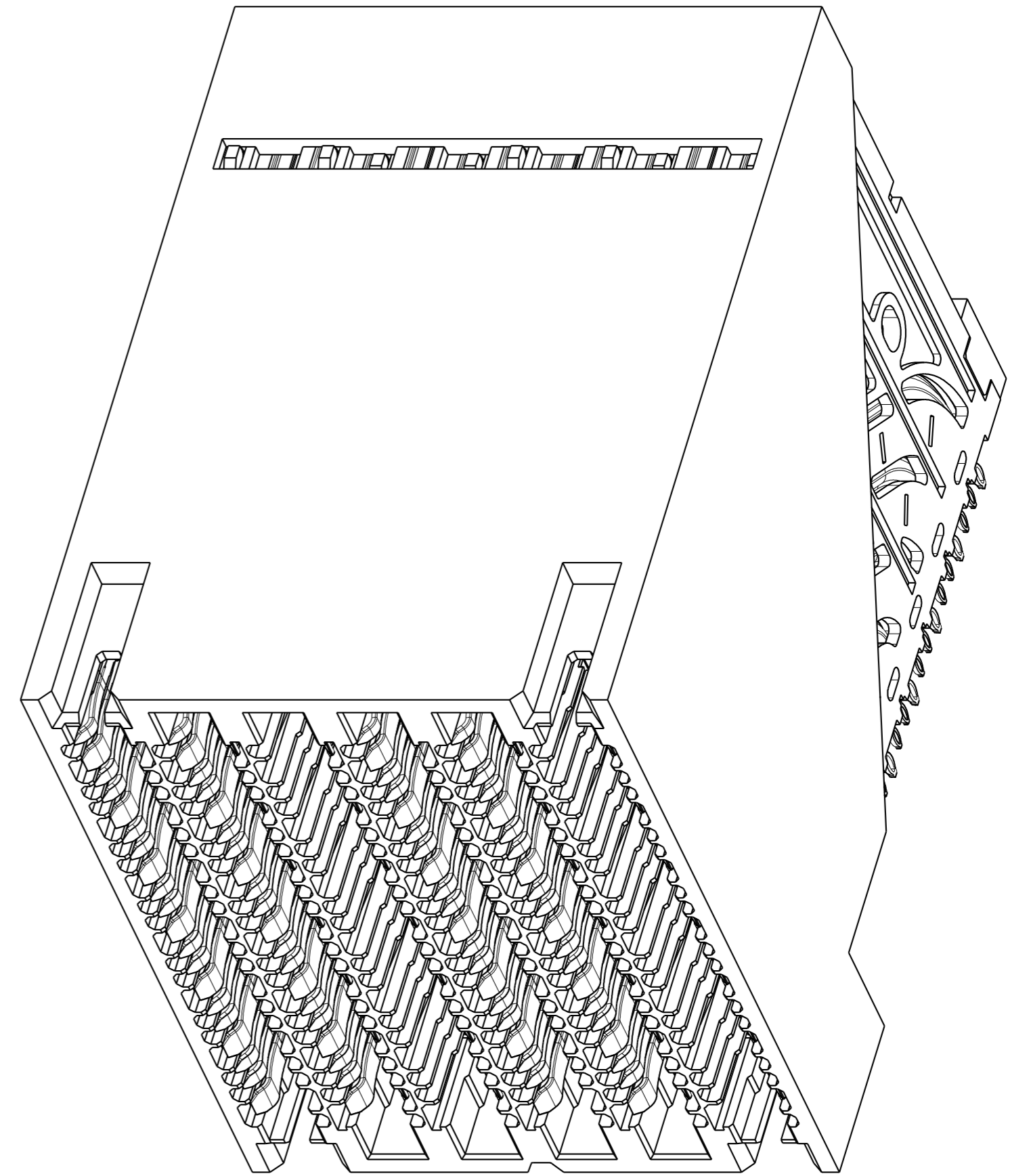
**RECOMMENDED PCB LAYOUT
COMPONENT SIDE
SEE NOTES 7, 8, 10 & 12
SCALE 8:1**

| | | | | | | | | | | |
|---------------|---------------------------------------|-------|--------------|---------------------|------------------------|---|--------------|--------------------|-----------|----------|
| spec ref | SEE NOTES | dr | Terry Luo | 2015/09/16 | projection | MM | size | A2 | scale | 4:1 |
| tolerance std | TOLERANCES UNLESS OTHERWISE SPECIFIED | eng | Peng-Bing Fu | 2017/11/01 | | | ecn no | ELX-DG-28235-1 | rel level | Released |
| ASME Y14.5M | | chr | Justin Chen | 2017/11/29 | | | | | | |
| | | appr | Heaven Cen | 2017/11/30 | | | | | | |
| surface | linear | 0.X | ±.3 | Amphenol FCI | | title ExaMAX R.A. RECEPTACLE ASSY, 6 PR, 160 POS, 8 IMLA, 25MM Thick Wall | | dwg no 10137045 | rev B | |
| | | 0.XX | ±.10 | | | | | | | |
| | | 0.XXX | ±.050 | | | | | | | |
| | angular | 0° | ±2° | cat. no. | Product - Customer Drw | | sheet 2 of 3 | | | |

NOTES:

- ①- CONNECTOR MATERIALS:
HOUSING: HIGH TEMP THERMOPLASTIC, BLACK, UL94-V0
IMLA PLASTIC: HIGH TEMP THERMOPLASTIC, BLACK, UL94-V0
CONTACT: COPPER ALLOY
ORGANIZER: HIGH TEMP THERMOPLASTIC, BLACK, UL94-V0
- 2 - CONTACT PLATING:
SEPARABLE INTERFACE:
PERFORMANCE-BASED PLATING, QUALIFIED TO MEET THE REQUIREMENTS OF FCI PRODUCT SPECIFICATION GS-12-1096 INCLUDING TELCORDIA GR-1217-CORE (NOVEMBER 1995) CENTRAL OFFICE TEST SEQUENCE

PRESS-FIT TAILS: TIN OVER NICKEL (LEAD FREE)
- 3 - PRODUCT SPECIFICATION: GS-12-1096
- 4 - APPLICATION SPECIFICATION: GS-20-0361
- 5 - PACKAGING MEETS GS-14-920 LEAD FREE LABELING SPECIFICATION.
- ⑥- PRODUCT MARKING, (PART NUMBER & LOT CODE), ON THIS SURFACE.
- ⑦- CONNECTOR OUTLINE MAY BE SCREEN PRINTED ONTO CUSTOMER PCB TO BE USED AS A GUIDE FOR MANUAL CONNECTOR PLACEMENT.
- ⑧- REFER TO CUSTOMER DRAWING 10119933 FOR INFORMATION ON PCB HOLE DIAMETERS AND PLATING OPTIONS
- 9 - THIS PRODUCT MEETS THE EUROPEAN UNION DIRECTIVES & OTHER COUNTRY REGULATIONS AS DESCRIBED IN GS-47-0004
- ⑩ REFER TO ROUTING GUIDE GS-20-0511 FOR RECOMMENDATIONS ON OPTIMIZATION OF FOOTPRINT AND TRACE ROUTING LAYOUT.
- 11- THE HOUSING WILL WITHSTAND EXPOSURE TO 260° C PEAK TEMPERATURE FOR 10-30 SECONDS IN A CONVECTION, INFRA-RED, OR VAPOR PHASE REFLOW OVEN.
- ⑫ THE MINIMUM CENTERLINE DISTANCE BETWEEN ADJACENT MODULES IS 25.0 mm.
- ⑬ ALL GROUND CONTACTS ARE COMMONED WITHIN A COLUMN.



10137045-101LF

Amphenol FCI

© 2016 AFCI

| | | | | | | | | | | | | | | | | | | | | |
|---------------|---|----------|--------------|---|------------|--------------------|--------------|----------------|---------|-----|-----|-------|------------|-----------|----------------|--------|-----------|----------|--|--|
| spec ref | SEE NOTES | dr | Terry Luo | 2015/09/18 | projection | MM | size | A2 | scale | 5:1 | | | | | | | | | | |
| tolerance std | TOLERANCES UNLESS OTHERWISE SPECIFIED | eng | Peng-Bing Fu | 2017/1/01 | | | ecn no | ELX-DG-28235-1 | | | | | | | | | | | | |
| ASME Y14.5M | | chr | Justin Chen | 2017/1/29 | | | rel level | Released | | | | | | | | | | | | |
| surface | <table border="1"> <tr> <td rowspan="3">linear</td> <td>0.X</td> <td>±.3</td> </tr> <tr> <td>0.XX</td> <td>±.10</td> </tr> <tr> <td>0.XXX</td> <td>±.050</td> </tr> <tr> <td>angular</td> <td>0°</td> <td>±2°</td> </tr> </table> | linear | 0.X | ±.3 | 0.XX | ±.10 | 0.XXX | ±.050 | angular | 0° | ±2° | apppr | Heaven Cen | 2017/1/30 | product family | ExaMAX | rel level | Released | | |
| linear | 0.X | | ±.3 | | | | | | | | | | | | | | | | | |
| | 0.XX | | ±.10 | | | | | | | | | | | | | | | | | |
| | 0.XXX | ±.050 | | | | | | | | | | | | | | | | | | |
| angular | 0° | ±2° | | | | | | | | | | | | | | | | | | |
| | | | | title ExaMAX R.A. RECEPTACLE ASSY, 6 PR, 160 POS, 8 IMLA, 25MM Thick Wall | | dwg no 10137045 | rev B | | | | | | | | | | | | | |
| | | cat. no. | | Product - Customer Drw | | | sheet 3 of 3 | | | | | | | | | | | | | |

PDS: Rev :B

STATUS:Released

Printed: Dec 12, 2017