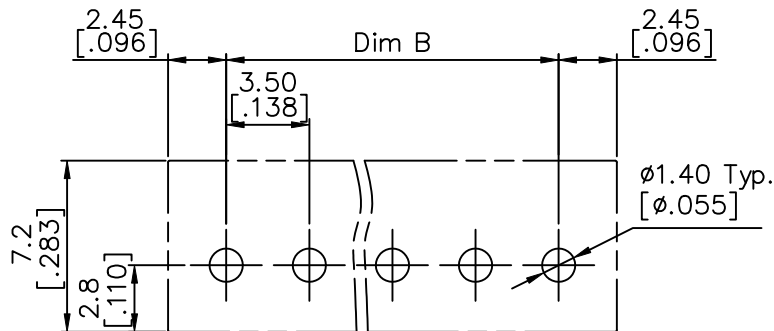
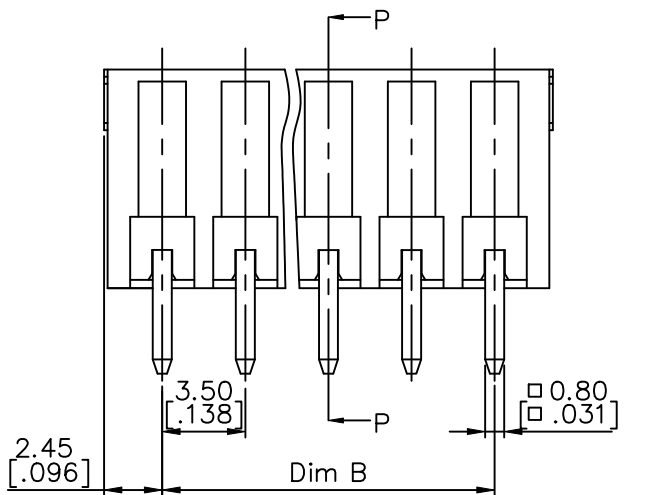
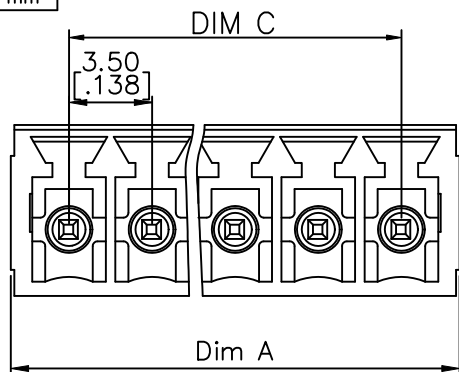


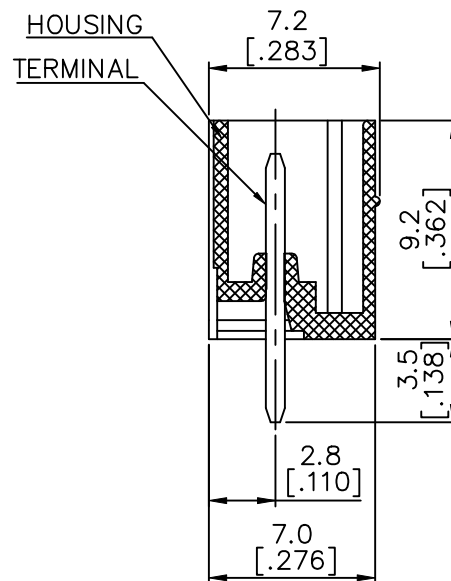




|                    |             |         |
|--------------------|-------------|---------|
| PRODUCT NUMBER     | SERIES NAME | PITCH   |
| 20020107-CXXXXXXLF | 06-350      | 3.50 mm |



RECOMMENDED P.C.B LAYOUT



SECTION P-P

N= NUMBER OF POLES  
DIMENSION

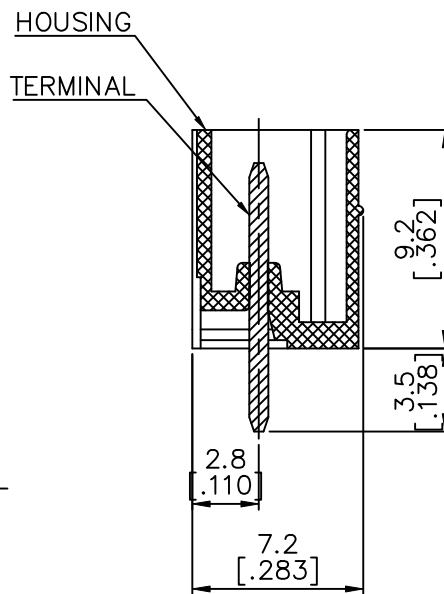
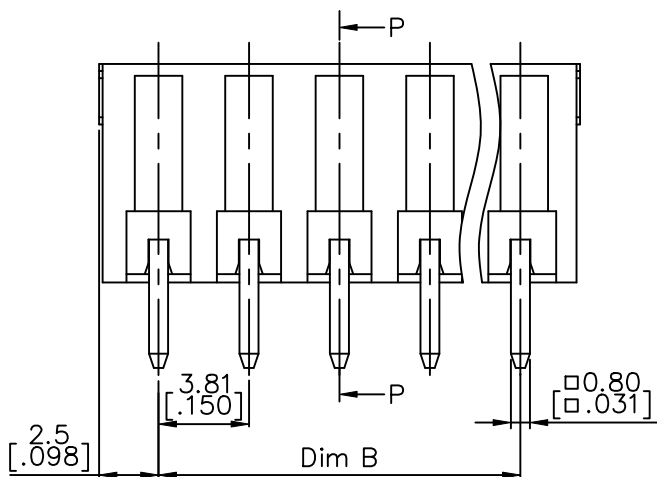
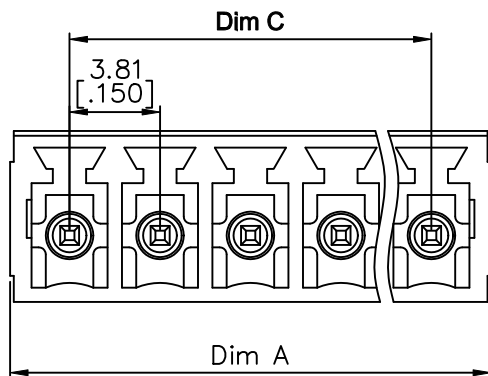
|       |  |
|-------|--|
| Dim A | $(N-1) \times 3.5 [.138] + 4.9 [.193]$ |
| Dim B | $(N-1) \times 3.5 [.138]$              |
| Dim C | $(N-1) \times 3.5 [.138]$              |

| Poles   | Tolerance         |
|---------|-------------------|
| 2P-6P   | $\pm 0.15 [.006]$ |
| 7P-12P  | $\pm 0.20 [.008]$ |
| 13P-18P | $\pm 0.25 [.010]$ |
| 19P-24P | $\pm 0.30 [.012]$ |

|             |                       |                         |                |                                    |
|-------------|-----------------------|-------------------------|----------------|------------------------------------|
| mat'l. code | surface<br>ASME Y14.5 | tolerance<br>ASME Y14.5 | projection<br> | product family<br>TERMINAL BLOCK   |
| ltr         | ecn no                | dr                      | date           | title                              |
| K           |                       |                         |                | TERMINAL BLOCK                     |
|             |                       |                         |                | PLUGABLE, SOCKET, SIGNAL, VERTICAL |
|             |                       |                         |                | sheet 2 of 5                       |
|             |                       |                         |                | 20020107                           |
|             |                       |                         |                | A4                                 |
|             |                       |                         |                | type<br>CUSTOMER Drawing           |
| sheet index | revision sheet        |                         |                |                                    |



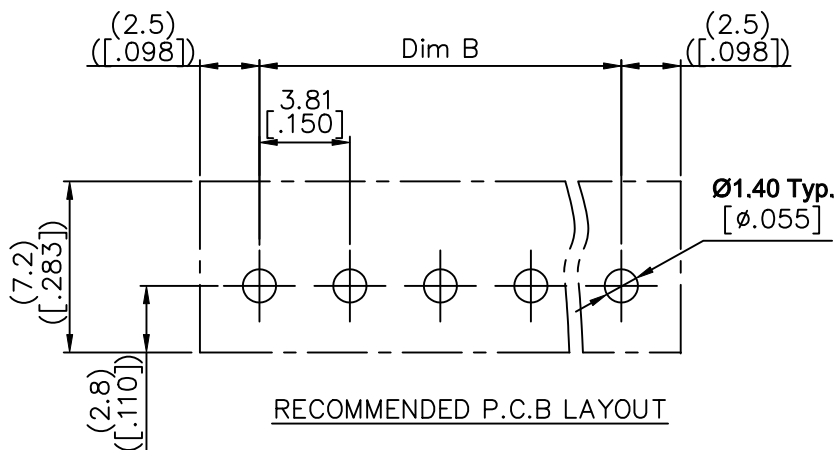
|                    |             |         |
|--------------------|-------------|---------|
| PRODUCT NUMBER     | SERIES NAME | PITCH   |
| 20020107-DXXXXXXLF | 06-381      | 3.81 mm |



N= NUMBER OF POLES  
DIMENSION

|       |   |
|-------|---|
| Dim A | $(N-1) \times 3.81 [.150] + 5.0 [.197]$ |
| Dim B | $(N-1) \times 3.81 [.150]$              |
| Dim C | $(N-1) \times 3.81 [.150]$              |

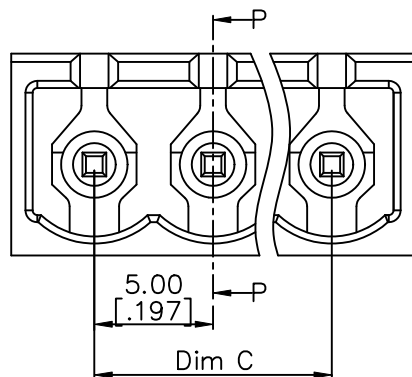
| Poles   | Tolerance         |
|---------|-------------------|
| 2p-6p   | $\pm 0.15 [.006]$ |
| 7p-12p  | $\pm 0.20 [.008]$ |
| 13p-16p | $\pm 0.25 [.010]$ |
| 17p-24p | $\pm 0.30 [.012]$ |



|             |                       |                         |                |                                    |
|-------------|-----------------------|-------------------------|----------------|------------------------------------|
| mat'l. code | surface<br>ASME Y14.5 | tolerance<br>ASME Y14.5 | projection<br> | product family<br>TERMINAL BLOCK   |
| ltr         | ecn no                | dr                      | date           | title                              |
| K           |                       |                         |                | TERMINAL BLOCK                     |
|             | angles                | line                    | line           | PLUGABLE, SOCKET, SIGNAL, VERTICAL |
|             | X°±1'                 | X.XX                    | ±0.1 [.004]    | dwg no                             |
|             | dr                    | BEER FU                 | 062509         | sheet 3 of 5 size                  |
|             | enr                   | BEER FU                 | 062509         | 20020107                           |
|             | chr                   | GARY HSIEH              | 062509         | A4                                 |
|             | app                   | JOSEPH HSIA             | 062509         | type                               |
|             |                       |                         |                | CUSTOMER Drawing                   |
| sheet index | revision sheet        |                         |                |                                    |



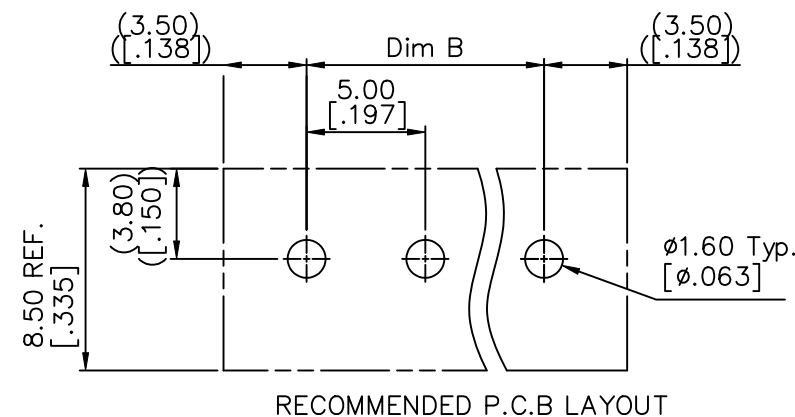
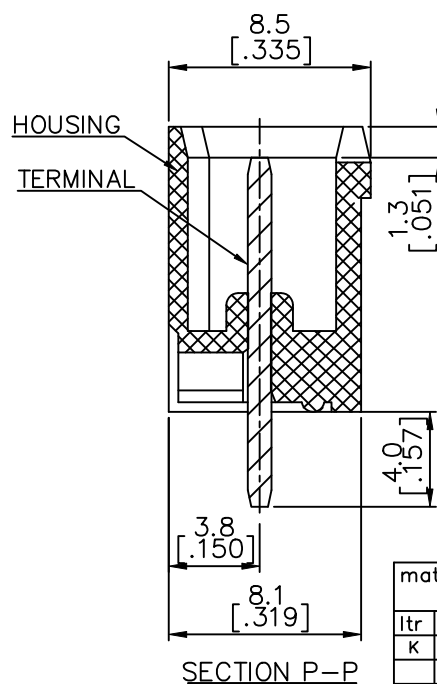
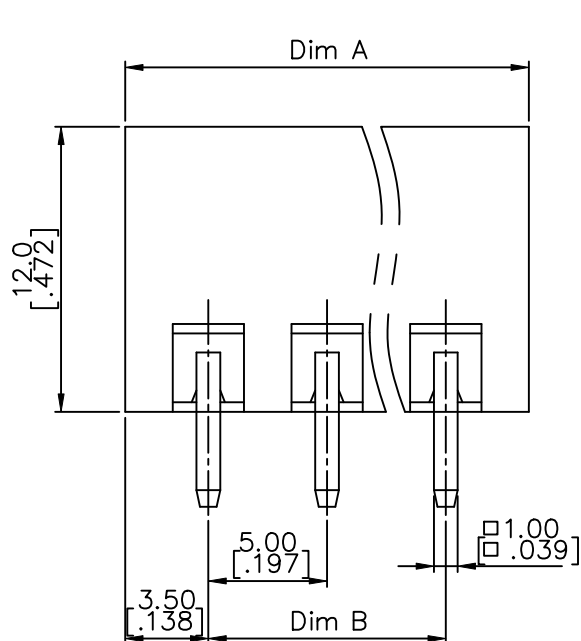
| PRODUCT NUMBER    | SERIES NAME | PITCH   |
|-------------------|-------------|---------|
| 20020107-GXXXXXLf | 06-500      | 5.00 mm |



N = NUMBER OF POLES  
DIMENSION

|       |                               |
|-------|-------------------------------|
| Dim A | $N * 5.0 [.197] + 2.0 [.079]$ |
| Dim B | $(N - 1) * 5.0 [.197]$        |
| Dim C | $(N - 1) * 5.0 [.197]$        |

| Poles   | Tolerance         |
|---------|-------------------|
| 2p-6p   | $\pm 0.15 [.006]$ |
| 7p-12p  | $\pm 0.25 [.010]$ |
| 13p-16p | $\pm 0.35 [.014]$ |
| 17p-24p | $\pm 0.40 [.016]$ |

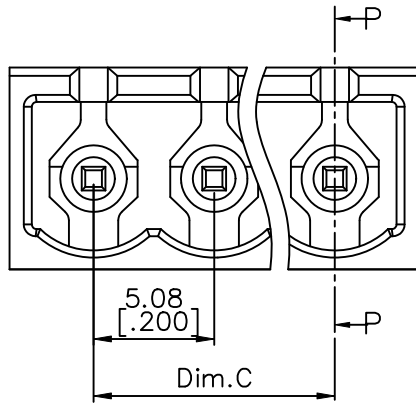


|             |                |                         |                         |   |  |
|-------------|----------------|-------------------------|-------------------------|---|--|
| mat'l. code |                | surface<br>ASME Y14.5 ✓ | tolerance<br>ASME Y14.5 | projection<br>  | product family<br>TERMINAL BLOCK                     |
| ltr         | ecn no         | dr                      | date                    | tolerances unless otherwise specified                                 | title  |
| K           |                |                         |                         | angles<br>X. ±0.5 [.020]<br>X.X ±0.3 [.012]<br>X°±1' X.XX ±0.1 [.004] | TERMINAL BLOCK<br>PLUGABLE, SOCKET, SIGNAL, VERTICAL |
|             |                | dr                      | BEER FU                 | 062509  | dwg no   |
|             |                | enr                     | BEER FU                 | 062509  | sheet 4 of 5 size                                    |
|             |                | chr                     | GARY HSIEH              | 062509  | 20020107   |
|             |                | app                     | JOSEPH HSIA             | 062509  | A4   |
| sheet index | revision sheet |                         |                         |   | type<br>CUSTOMER Drawing                             |





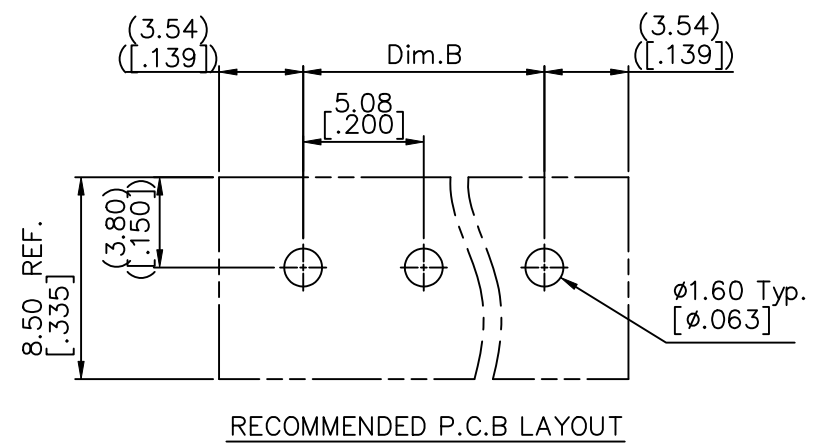
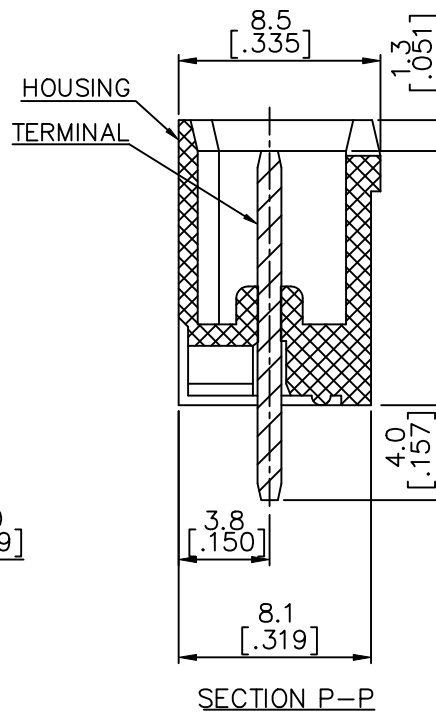
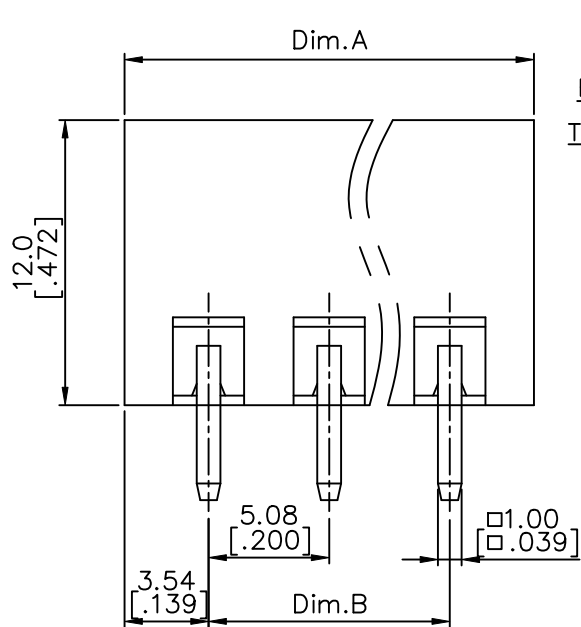
|                  |             |         |
|------------------|-------------|---------|
| PRODUCT NUMBER   | SERIES NAME | PITCH   |
| 20020107-HXXXXXL | 06-508      | 5.08 mm |



N = NUMBER OF POLES  
DIMENSION

|       |                                    |
|-------|------------------------------------|
| Dim A | $N * 5.08 [ .200 ] + 2.0 [ .079 ]$ |
| Dim B | $(N - 1) * 5.08 [ .200 ]$          |
| Dim C | $(N - 1) * 5.08 [ .200 ]$          |

| Poles   | Tolerance           |
|---------|---------------------|
| 2p-6p   | $\pm 0.15 [ .006 ]$ |
| 7p-12p  | $\pm 0.25 [ .010 ]$ |
| 13p-16p | $\pm 0.35 [ .014 ]$ |
| 17p-24p | $\pm 0.40 [ .016 ]$ |



|             |                       |                         |                |  |
|-------------|-----------------------|-------------------------|----------------|--|
| mat'l. code | surface<br>ASME Y14.5 | tolerance<br>ASME Y14.5 | projection<br> | product family<br>TERMINAL BLOCK                     |
| ltr         | ecn no                | dr                      | date           | title  |
| K           |                       |                         |                | TERMINAL BLOCK<br>PLUGABLE, SOCKET, SIGNAL, VERTICAL |
|             |                       |                         |                | dwg no<br>20020107                                   |
|             |                       |                         |                | sheet 5 of 5 size<br>A4                              |
|             |                       |                         |                | type<br>CUSTOMER Drawing                             |
| sheet index | revision sheet        |                         |                |  |