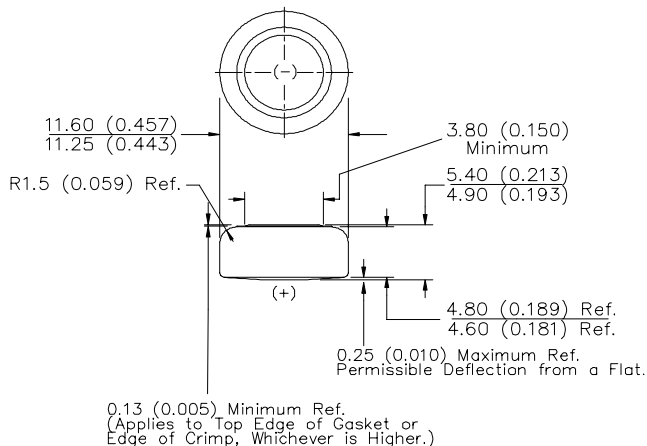


ENERGIZER NO. A76



Industry Standard Dimensions in mm (inches)

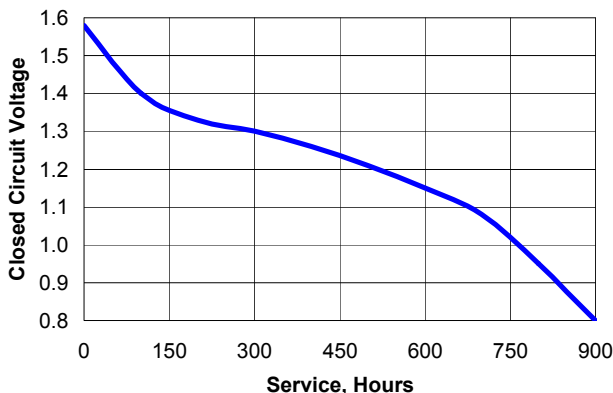


Chemical System: Manganese Dioxide (MnO₂)

Designation: ANSI / NEDA-1166A, IEC - LR44
Battery Voltage: 1.5 Volts
Average Weight: 2.3 grams (0.08 oz.)
Volume: 0.50 cubic centimeters (0.03 cubic inch)
Average Capacity: 150 mAh to 0.9 volts
 (Rated at 7.5k ohms continuous at 21°C)

TYPICAL DISCHARGE CURVE

Simulated Test @ 21°C (70°F)



DESIGNED FOR ELECTRONIC APPLICATIONS
WHICH MAY REQUIRE HIGH RATE PULSES

Simulated Application Test Estimated Average Service at 21°C (70°F)

Schedule:	Typical Drains at 1.25V (microamperes)	Load (ohms)	Cutoff Voltage
			0.9V
24 hours/day	0.17	7,500	900 Hours

BULGE DATA: This battery will bulge as it is discharged but will not exceed the maximum height shown on the battery drawing.

INTERNAL RESISTANCE: Typical closed circuit voltage during discharge on a load of 100 ohms for 0.10 to 2.0 seconds.

Depth of Discharge as Percent of Rated Capacity

Temperature	0%	40%	80%
21°C (70°F)	1.55V	1.29V	1.10V

Important Notice

This data sheet contains information specific to batteries manufactured at the time of its publication.

Contents herein do not constitute a warranty.

Copyright © Eveready Battery Co. Inc. - All Rights Reserved