

revos DD

More contacts for less room

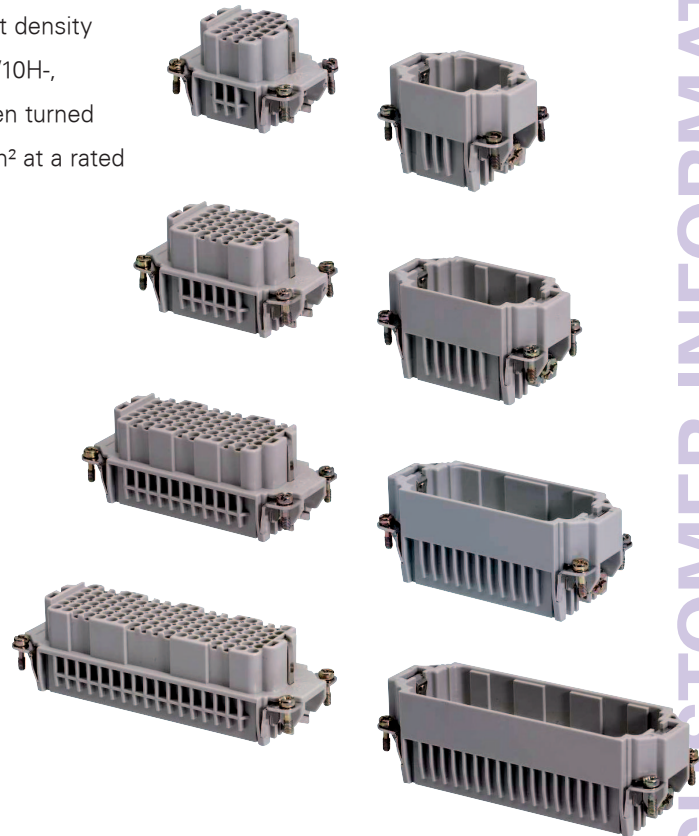
The new **revos**DD contact inserts complement the product range of **revos** industrial multipole connectors with a high contact density series. The inserts fit the BASIC housing sizes 6/6H-, 10/10H-, 16/16H-, 24/24H. Connection is made by using the proven turned crimp contacts Ø 1.6 mm and ranges from 0.14 – 2.5 mm² at a rated voltage of 250V.

Features

- Number of poles: 24, 42, 72, 108 poles + ground
- For use in **revos**BASIC housings, sizes: 6/6H-, 10/10H-, 16/16H-, 24/24H
- Rated voltage 250V
- Rated current 10A

Your benefits

- High contact density in the most confined spaces
- Crimp connections suitable for automated cable pre-assembly
- Very space-saving and compact design



CUSTOMER INFORMATION

Description	Type	Part No.	Pack. unit	Type	Part No.	Pack. unit
revos DD contact inserts with crimp connection	Female insert			Male insert		
24-polig + PE	DD BUC 24 1.5 25	73.800.2453.0	5	DD STC 24 1.5 25	73.810.2453.0	5
42-polig + PE	DD BUC 42 1.5 25	73.800.4253.0	5	DD STC 42 1.5 25	73.810.4253.0	5
72-polig + PE	DD BUC 72 1.5 25	73.800.7253.0	5	DD STC 72 1.5 25	73.810.7253.0	5
108-polig + PE	DD BUC108 1.5 25	73.800.0853.0	5	DD STC108 1.5 25	73.810.0853.0	5
Contacts	mm²	/ AWG				
	0,14-0,37	/ 26-22		Female contact, Ag	02.125.4129.8	100
	0,5	/ 20		Female contact, Ag	02.125.4229.8	100
	0,75-1	/ 18		Female contact, Ag	02.125.4329.8	100
	1,5	/ 16		Female contact, Ag	02.125.4429.8	100
	2,5	/ 14		Female contact, Ag	02.125.4529.8	100
Technical data (apply to both male and female inserts)						
Electrical ratings						
Rated voltage acc. to EN 60664-1	250V					
Rated voltage acc. to UL/CSA	600V					
Rated current	10A (UL: 8,5 A)					
Rated impulse voltage	4kV					
Degree of pollution	2 (3 in housings with IP rating 54 or better)					
Material for insulating housing	Thermoplastic; fiber-glass reinforced; flammability according to UL94-V0					
Color	gray (similar to RAL 7032)					
Temperature range	-40 °C to +100 °C (120° C for short periods of time)					
Connection technology	Crimp connection					
Approvals	☑; UL in preparation					
Accessories	Type	Part No.	Pack. unit			
Crimping tool		95.101.0800.0	1			
Crimping die	„B“	05.502.2100.0	1			
Contact positioner	„1“	05.502.3100.0	1			
Extraction tool		05.502.0710.0	1			

Head office:
Wieland Electric GmbH
Brennerstraße 10 – 14
D-96052 Bamberg

Sales and Marketing Center:
Wieland Electric GmbH
Benzstraße 9
D-96052 Bamberg

Phone +49 (951) 93 24-0
Fax +49 (951) 93 24-198
www.wieland-electric.com
info@wieland-electric.com

Product range

AT Wieland

Components and system components for the control cabinet

- DIN rail terminal blocks
 - with screw connection
 - with spring clamp connection
 - with IDC connection
- Safety
 - Safety relays
 - Modular safety systems
- Fieldbus components
- Interface
 - Power supplies
 - Overvoltage protection
 - Measuring and monitoring relays
 - Time and switching relays
 - Coupling relays/solid state relays
 - Analog modules
 - Passive interfaces

Components and system components for field applications

- Remote automation
 - Remote power distribution
 - Remote fieldbus interface
- Industrial multipole connectors
 - Modular multipole connectors
 - High-density multipole connectors
 - High-current multipole connectors
 - Multipole connectors for hazardous areas
 - Bushings for control cabinets
 - D-Sub connectors
- Round connectors
- Empty housings and appliance connectors/terminal strips

AT Schleicher

- PLC systems and CNC based control systems
- Operator panels
- Application engineering & system solutions
- Customized products

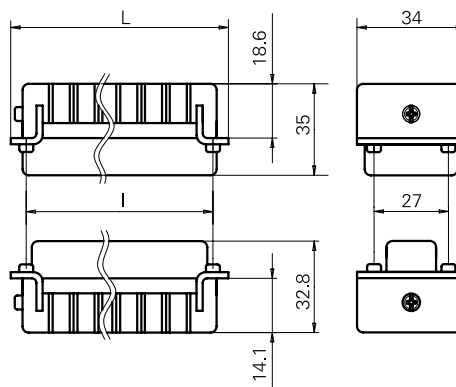
BIT Wieland

- Building installation systems
 - Mains connectors IP20/IP65...IP68
 - Bus connectors
 - Combined connectors
 - Low-voltage connectors
 - Flexible flat cable systems
 - Distribution systems
 - Switching devices for EIB/KNX, LON, Ethernet, radio control
 - DIN rail terminal blocks for electrical installations
 - Overvoltage protection

PCB connectors Wieland

- PC board connectors
 - with screw connection
 - with spring clamp connection
 - with TOP connection

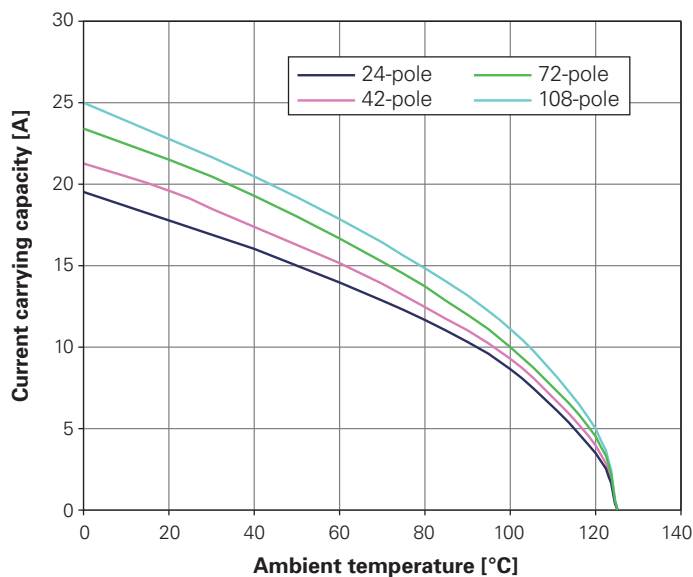
Dimensions



Number of poles	L ±0.5 (mm)	l ±0.5 (mm)
24	50.5	44
42	63.5	57
72	84	77.5
108	110.5	104

Derating

revos DD 250 V / 10 A / 2.5 mm²



revos DD 250 V / 10 A / 1.5 mm²

