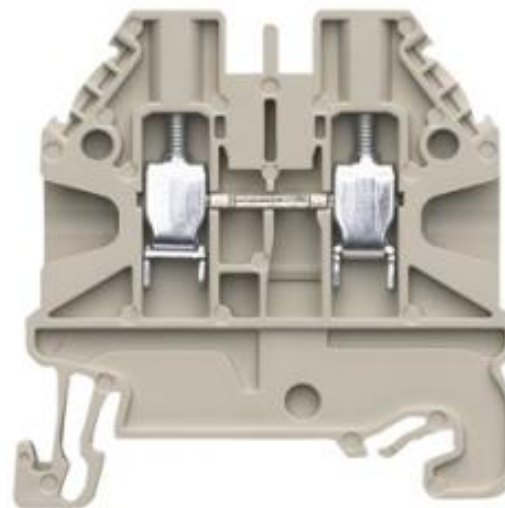


Datasheet

Art.No. 58.503.0055.7

Feed-through terminal WT 2,5 GN

Feed-through DIN rail terminal block with screw connection for mounting on TS 35; nominal cross section 2,5 mm²; width 5 mm; color green



Art.No.	58.503.0055.7
EAN	4049088172755
Order unit	100 pieces

Approvals



Technical data

General

Nominal cross section	2.5 mm ²
Colour	Green
Number of levels	1
Number of clamp positions per level	2
Width/grid dimension	5 mm
Insulating housing	PA666
Inflammability class of insulation material acc. with UL94	V0
Mounting method	DIN rail (top hat rail)
Terminal blocks for electrical installations	Yes

Technical data

Rated current	24 A
Rated voltage	1000 V
Rated impulse voltage	8 kV
Pollution degree	3
Closing plate required	Yes
Type of insulation material	Thermoplastic
Length	48 mm
Width	5 mm
Height	48 mm

Connection Data

Connection type 1	Screw connection
-------------------	------------------

Connection type 2	Screw connection
Minimum cross section solid	0.14 mm ²
Maximum cross section solid	4 mm ²
Minimum cross section fine stranded	0.14 mm ²
Maximum cross section fine stranded	4 mm ²
Maximum conductor cross section (flex., stranded) with cable end sleeve	0.5 mm ²
Maximum conductor cross section (flex., stranded) with cable end sleeve	2.5 mm ²
Wire strip length	9 mm
Torque conductor mounting	0.4 Nm

Technical Data UL/CSA

Cross section UL	26-12 AWG
Voltage UL	600 V
Current factory wiring	20 A
Current field wiring	20 A
Cross section CSA	26-12 AWG
Voltage CSA	600 V
Current CSA	20 A

Accessories

Art.No.:	Type:	Description
04.344.1455.8	Warning cover AD WT 2,5	Cover with warning symbol for DIN rail terminal blocks type WT 2,5, color yellow
07.313.2555.0	End plate	End plate for DIN rail terminal block type WT 2,5 - WT 10, color gray
07.313.2655.0	Partition	Partition plate for DIN rail terminal block type WT 2,5 - WT 10, color gray
98.300.0000.0	Mounting rail 35x27x7,5EN60715 2000MM	Mounting rail TS 35, unslotted, size 7,5 mm, length 2 m, material steel. galv. zinc-plated and dichromated
98.300.1000.0	Mounting rail 35x27x7,5EN60715 2000MM	Mounting rail TS 35, slotted, size 7,5 mm, length 2 m, material steel. galv. zinc-plated and dichromated
98.300.1900.0	Mounting rail 35x27x7,5EN60715 2000MM	Mounting rail TS 35, slotted, size 7,5 mm, length 2 m, material steel. galv. zinc-plated and dichromated
98.360.0000.0	Mounting rail 35x24x15 EN60715 2000MM	Mounting rail TS 35, unslotted, size 15 mm, length 2 m, material steel. galv. zinc-plated and dichromated
98.360.0004.0	Mounting rail 35x24x15 EN60715 2000MM	Mounting rail TS 35, unslotted, size 15 mm, length 2 m, material steel, hot galvanized
98.370.0000.0	Mounting rail 35x27x15(EN60715)2000MM	Mounting rail TS 35, unslotted, size 15 mm, length 2 m, material steel. galv. zinc-plated and dichromated
98.370.1000.0	Mounting rail 35x27x15(EN60715)2000MM	Mounting rail TS 35, slotted, size 15 mm, length 2 m, material steel. galv. zinc-plated and dichromated
98.380.0000.0	Mounting rail 35x24x15 EN60715 2000MM	Mounting rail TS 35, unslotted, size 15 mm, length 2 m, material E copper
Z1.299.9753.0	Test plug PS WKF/F OB	Test plug for DIN rail terminal blocks fasis - selos - taris
Z5.522.7453.0	End bracket 9708 / S35	End clamp for mounting rail TS 35
Z5.522.8553.0	End bracket 9708 / 2 S 35	End clamp for mounting rail TS 35
Z5.523.5653.0	End bracket WE 2 / U	End clamp for mounting rail TS 35 and TS 32
Z5.523.5753.0	End bracket WE 1 / U	End clamp for mounting rail TS 35 and TS 32
Z5.523.9353.0	End bracket WEF 1 / 35	End clamp, schraubelos for mounting rail TS 35
Z7.280.6227.0	Jumper bar IVBWKf 2,5 - 2	Cross connector, insulated for DIN rail terminal blocks type WKF..., 2 -pole
Z7.280.6327.0	Jumper bar IVBWKf 2,5 - 3	Cross connector, insulated for DIN rail terminal blocks type WKF..., 3 -pole
Z7.280.6427.0	Jumper bar IVBWKf 2,5 - 4	Cross connector, insulated for DIN rail terminal blocks type WKF..., 4 -pole

Z7.280.6527.0	Jumper bar IVBWK 2,5 - 5	Cross connector, insulated for DIN rail terminal blocks type WKF..., 5 -pole
Z7.280.6627.0	Jumper bar IVBWK 2,5 - 6	Cross connector, insulated for DIN rail terminal blocks type WKF..., 6 -pole
Z7.280.6727.0	Jumper bar IVBWK 2,5 - 7	Cross connector, insulated for DIN rail terminal blocks type WKF..., 7 -pole
Z7.280.6827.0	Jumper bar IVBWK 2,5 - 8	Cross connector, insulated for DIN rail terminal blocks type WKF..., 8 -pole
Z7.280.6927.0	Jumper bar IVBWK 2,5 - 9	Cross connector, insulated for DIN rail terminal blocks type WKF..., 9 -pole
Z7.280.7027.0	Jumper bar IVBWK 2,5 - 10	Cross connector, insulated for DIN rail terminal blocks type WKF..., 10 -pole

Drawings

