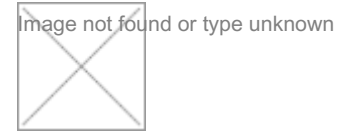


Data sheet

Commercial Art.No.: 25.352.3616.0

PCB pin header 8213 S / 6 W OB THR

PCB pin header, connection method depends on used socket part , 6 poles, with solder pin (2.6mm, tin plated), pitch: 5.08 mm, type of packing: Tape on reel, color: black, This product can be soldered by reflow and wave soldering,



Commercial Art.No.	25.352.3616.0
EAN	4015573931275
Order Unit	350

Certificates / Approvals



Technical data

General

Modular spacing	5.08 mm
Soldering process	THR
Packaging	Tape on Reel
Number of poles	6
Number of levels	1
Marking	No
Fastening	None
Mating direction towards (circuit) board	180°

Technical data

Rated current	12 A
Overvoltage Category I	1000 V
Overvoltage Category II	400 V
Overvoltage Category III	250 V
Rated impulse voltage	4 kV

Technical Data UL/CSA

Voltage UL	300 V
Current field wiring	15 A
Current factory wiring	15 A
Voltage CSA	300 V
Current CSA	15 A

Other

Type of insulation material	Thermoplastic
Color	black
Height	8.4 mm
Length	32.48 mm
Depth	12 mm
Material contact base	CuZn
Material contact surface	Sn

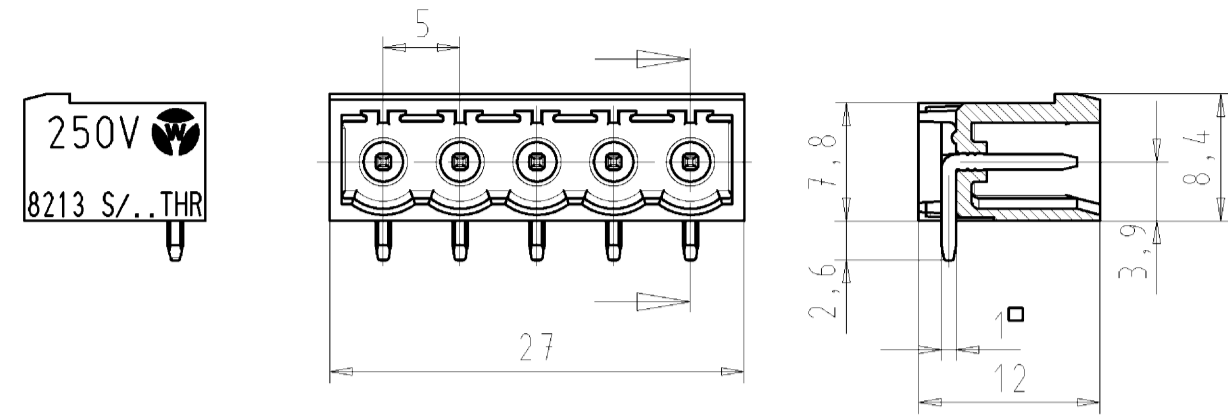
Classification

ECLASS 11	
ECLASS 8.1	27440402
ETIM 7.0	EC002637
ETIM 6.0	EC002637
ETIM 5.0	EC002637
ETIM 4.0	EC002637

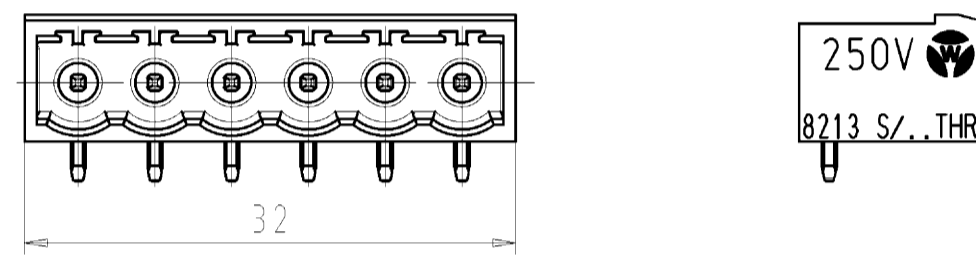
Product compliance

ROHS conformity status	Compliant
REACH-SVHC conformity status	Compliant

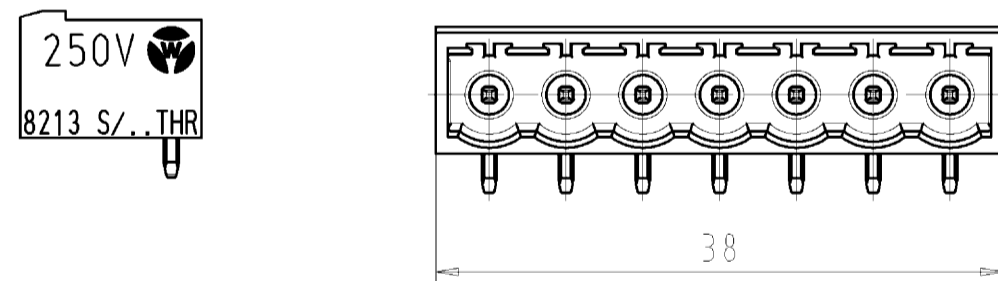
LP-Stiftleiste
8213 S / 5 THR
25.352.3596.0



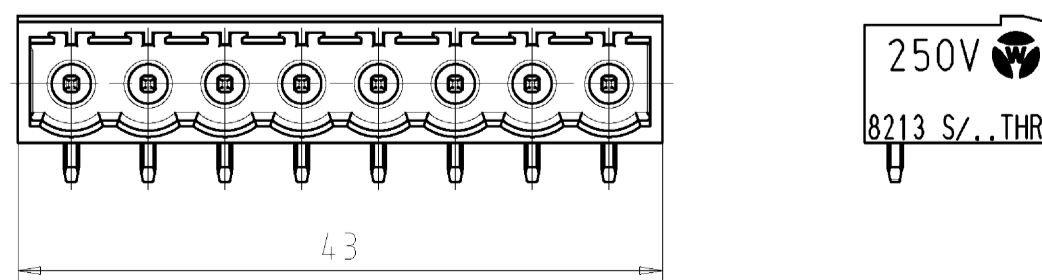
LP-Stiftleiste
8213 S / 6 THR
25.352.3696.0



LP-Stiftleiste
8213 S / 7 THR
25.352.3796.0



LP-Stiftleiste
8213 S / 8 THR
25.352.3896.0



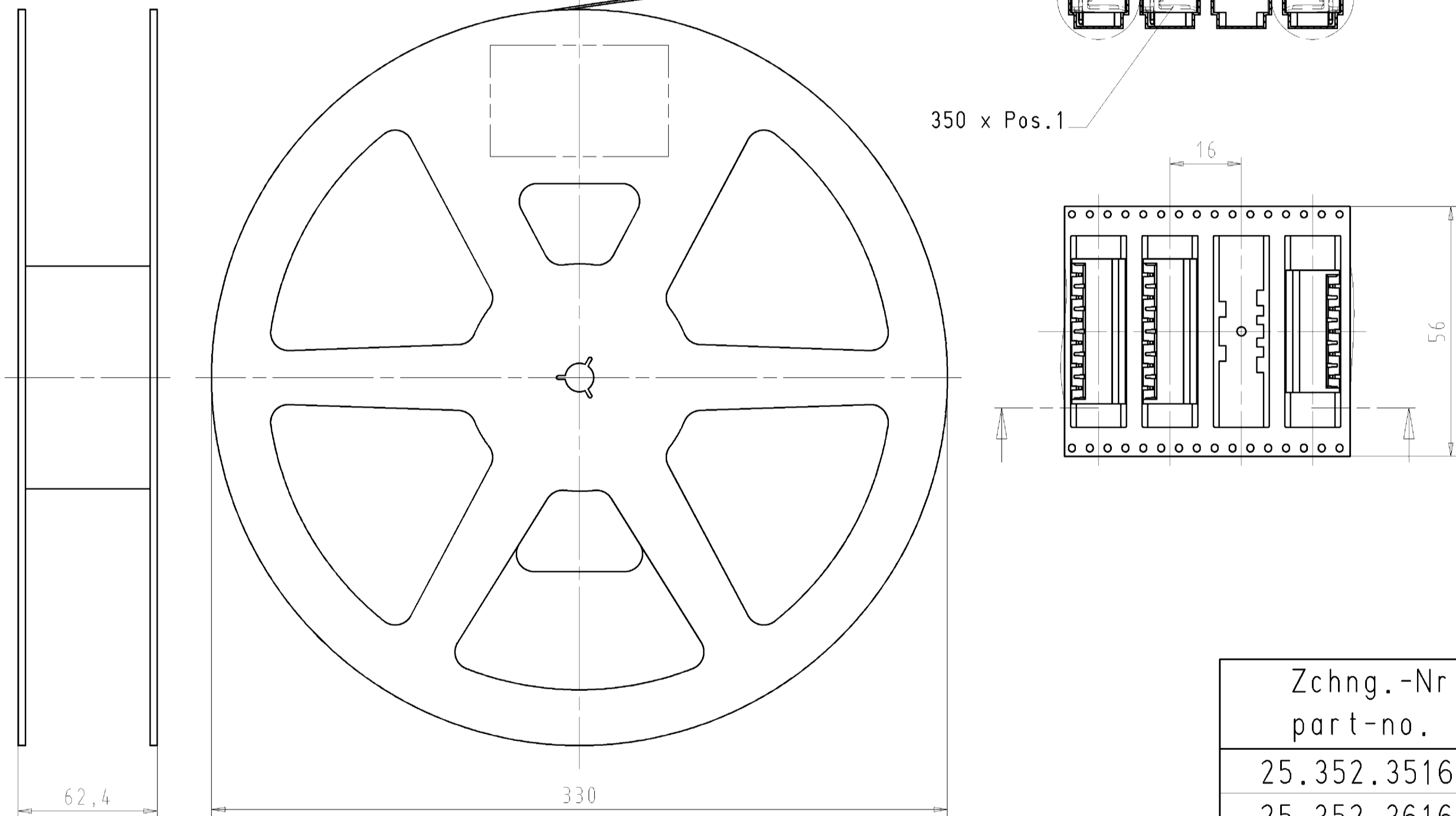
gezeichnete Ausführung 6-polig
drawn version 6-poles

Zuführrichtung
direction of feed

Gurt im Schnitt dargestellt
tape drawn in section

Lage der Teile im Gurt
bei gerader Polzahl
position of the parts in the tape
by even poles number
(6-pol. = 25.352.3696.0
8-pol. = 25.352.3896.0)

Lage der Teile im Gurt
bei ungerader Polzahl
position of the parts in the tape
by uneven poles number
(5-pol. = 25.352.3596.0
7-pol. = 25.352.3796.0)



Zchng.-Nr. part-no.	Pos.1
25.352.3516.0	25.352.3596.0
25.352.3616.0	25.352.3696.0
25.352.3716.0	25.352.3796.0
25.352.3816.0	25.352.3896.0

350 Teile pro Tape on Reel
Gurtung und Spule nach DIN IEC 60286-3
Gurtvorlauf nach DIN IEC 60286-3
Gurtnachlauf nach DIN IEC 60286-3
Spule und Gurt sind antistatisch.
350 parts per tape on reel
tape on reel according to DIN IEC 60286-3
tape feed according to DIN IEC 60286-3
tape supply according to DIN IEC 60286-3
reel and tape are antistatic

Zulässige Abweichungen nach DIN 7167/Permissible deviations acc. to DIN 7167. (This DIN-standard describes the envelope principle. According to the envelope principle the deviations of form and parallelism are limited by the size tolerances).		ja/yes <input checked="" type="checkbox"/> Stellvertrags- und Deklarationsliste nach UU-TQM-05/03 ist einzuhalten. (List of banned and declarable substances according to Wieland document e-UU-TQM-05/03 is to obey.)	
Freitoleranz nach General tolerance	-	CAD - Zeichnung, keine manuellen Änderungen CAD - drawing, no manual modifications allowed	1. Verwendung: First Use: -
Blatt: Sheet:	1 of 1	Werkstoff/Material 2013 gezeichnet drawn geprüft checked Werkzeug/ Tool Stand. check	26.02. Eiler T 25.352.3516.0 01K
Maßstab/Scale	x	Zeichnung Nr./Drawing No. Index	
Val.	mm Dtl./Surf.	Ersatz für/Replacement for: -	
wieland		Type	Benennung/Title
Elektrische Verbindungen		TAPE_ON_REEL LP-Stiftleiste 8213 S/.. THR winkelig	
Änderung/Revision			

Weitergabe sowie Vervielfältigung dieses Dokuments, Verwertung und Mitteilung
 seines Inhalts sind verboten, soweit nicht ausdrücklich gestattet.
 The reproduction, distribution and utilization of this document as well as the
 communication of its contents to others without express authorization is prohibited.

08/25/2016 08:01:22 C:\AR\3070\U0016726\2015-02-26\TH-1000