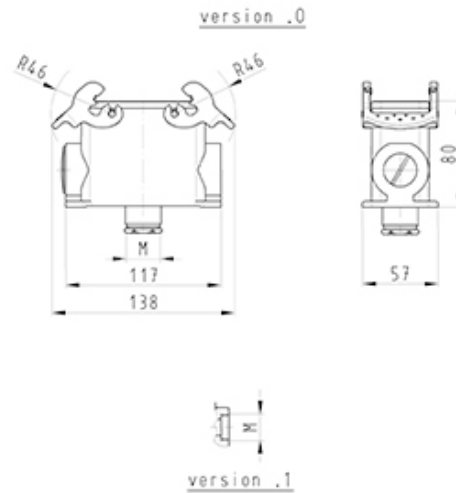


Datasheet

Item No. 73.337.4035.0

Bottom BAS GUT GD 40HM32 50 A0

revos BASIC 500V size 16H closed-bottom base with cable gland M32, bottom, high design, double locking lever



Item No.	73.337.4035.0
EAN	4015573623378
order unit	1 Piece(s)

Approvals



Technical data

General

Nominal voltage	500
Housing material	Aluminium
Colour	Grey
Surface	With powder coating
Degree of protection (IP)	IP54
UV resistant	Yes
Inflammability class of insulation material acc. with UL94	Other
Operating temperature range min.	-40 °C
Operating temperature range max.	120 °C

Model

DIN-size	16H
Model	Surface mounting (base)
Locking mechanism	Double locking levers
Cable entry	Below
Type of cable	Gland nut
With cable screw gland	Yes
Thread size M	32
Hinged lid	No
EMC-version	No