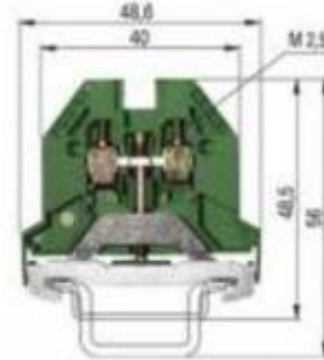


Datasheet

Art.No. 56.504.9055.0

Earth terminal WK 4 SL / 35/V0

Ground DIN rail terminal block with screw connection for mounting on TS 35, nominal cross section 4 mm², width 6 mm, color green/yel low



Art.No.	56.504.9055.0
EAN	4015573829992
Order unit	100 pieces

Approvals

Technical data

General

Nominal cross section	4 mm ²
Colour	Green/yellow
Number of levels	1
Number of clamp positions per level	2
Width/grid dimension	6 mm
Insulating housing	PA666
Inflammability class of insulation material acc. with UL94	V0
Mounting method	DIN rail (top hat rail) 35/7.5 mm
Terminal blocks for electrical installations	Yes

Technical data

Rated impulse voltage	8 kV
Pollution degree	3
Closing plate required	Yes
Length	48.6 mm
Type of insulation material	Thermoplastic

Connection Data

Connection type 1	Screw connection
Connection type 2	Screw connection
Minimum cross section solid	0.5 mm ²
Maximum cross section solid	6 mm ²
Minimum cross section fine stranded	0.5 mm ²
Maximum cross section fine stranded	4 mm ²
Wire strip length	9 mm
Torque conductor mounting	0.5 Nm

Torque rail mounting	0,5
----------------------	-----

Technical Data UL/CSA

Cross section UL	22-10 AWG
Cross section CSA	22-10 AWG

Accessories

Art.No.:	Type:	Description
98.300.1000.0	Mounting rail 35x27x7,5EN60715 2000MM	Mounting rail TS 35, slotted, size 7,5 mm, length 2 m, material steel. galv. zinc-plated and dichromated
98.300.1900.0	Mounting rail 35x27x7,5EN60715 2000MM	Mounting rail TS 35, slotted, size 7,5 mm, length 2 m, material steel. galv. zinc-plated and dichromated
98.360.0000.0	Mounting rail 35x24x15 EN60715 2000MM	Mounting rail TS 35, unslotted, size 15 mm, length 2 m, material steel. galv. zinc-plated and dichromated
98.360.0004.0	Mounting rail 35x24x15 EN60715 2000MM	Mounting rail TS 35, unslotted, size 15 mm, length 2 m, material steel, hot galvanized
98.370.0000.0	Mounting rail 35x27x15(EN60715)2000MM	Mounting rail TS 35, unslotted, size 15 mm, length 2 m, material steel. galv. zinc-plated and dichromated
98.370.1000.0	Mounting rail 35x27x15(EN60715)2000MM	Mounting rail TS 35, slotted, size 15 mm, length 2 m, material steel. galv. zinc-plated and dichromated
98.380.0000.0	Mounting rail 35x24x15 EN60715 2000MM	Mounting rail TS 35, unslotted, size 15 mm, length 2 m, material E copper
Z5.522.7453.0	End bracket 9708 / S35	End clamp for mounting rail TS 35
Z5.522.8553.0	End bracket 9708 / 2 S 35	End clamp for mounting rail TS 35
Z5.523.5653.0	End bracket WE 2 / U	End clamp for mounting rail TS 35 and TS 32
Z5.523.5753.0	End bracket WE 1 / U	End clamp for mounting rail TS 35 and TS 32
Z5.523.9353.0	End bracket WEF 1 / 35	End clamp, schraubenlos for mounting rail TS 35