

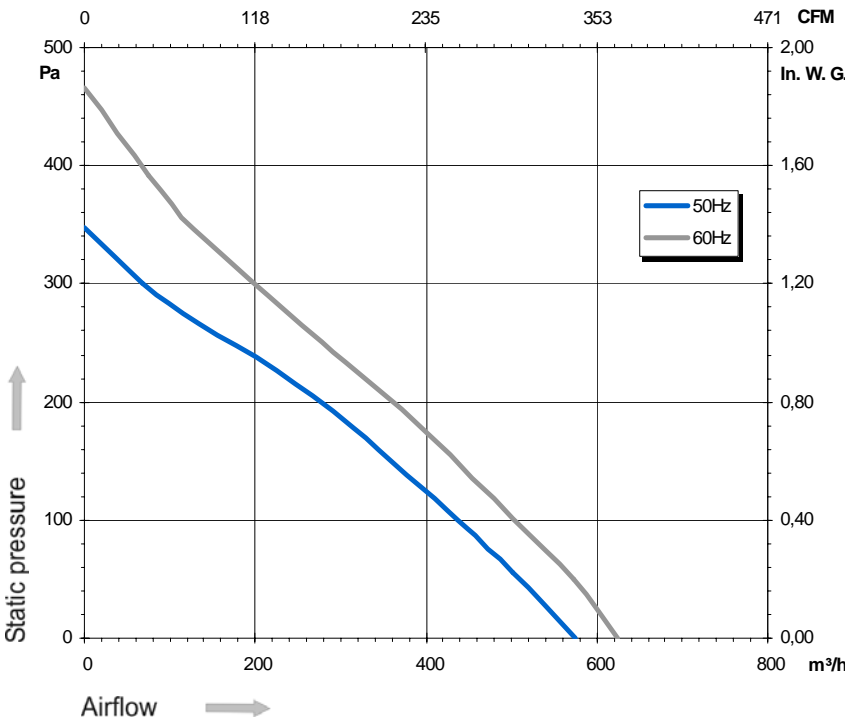
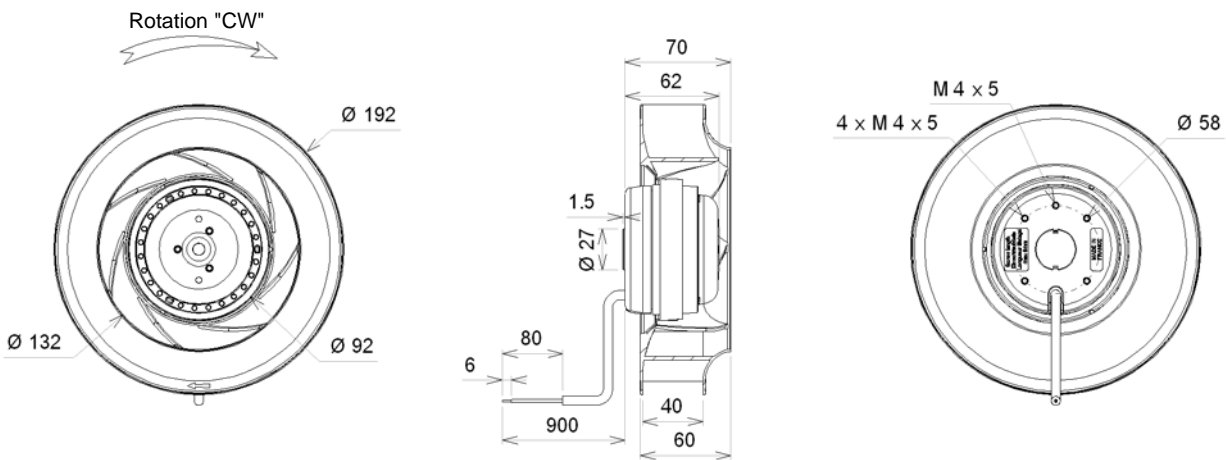
Ind. b - Revision : 10-2008

2RRE15 192x40R P/N B47-A1

Substitute for I06-18



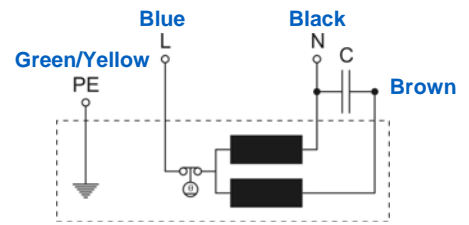
Voltage	Frequency	Input power	Current	Capacitor	Airflow	Speed rotation	Noise level	Rotation direction	Operating temperature
V	Hz	Wa	A	µF	m³/h	RPM	dBA	↻	Min / Max
230	50	62	0,28	2,0	573	2 510	61	R	-20°C / +70°C
230	60	76	0,34	2,0	625	2 785	64	R	-20°C / +70°C
230	50				337 CFM				-4°F / +158°F
230	60				367 CFM				-4°F / +158°F



- Weight : 1,3 Kg
- Ball bearing
- Class F, thermally protected
- IP44 protection
- G2.5 balancing
- Rotor : black paint
- PP plastic impeller



Capacitor for 50Hz	Capacitor for 60Hz	Finger guard	Inlet cone
19008	19008	21181	16043



Non contractual document. All specifications are subject to change without prior notice. Picture for information only.