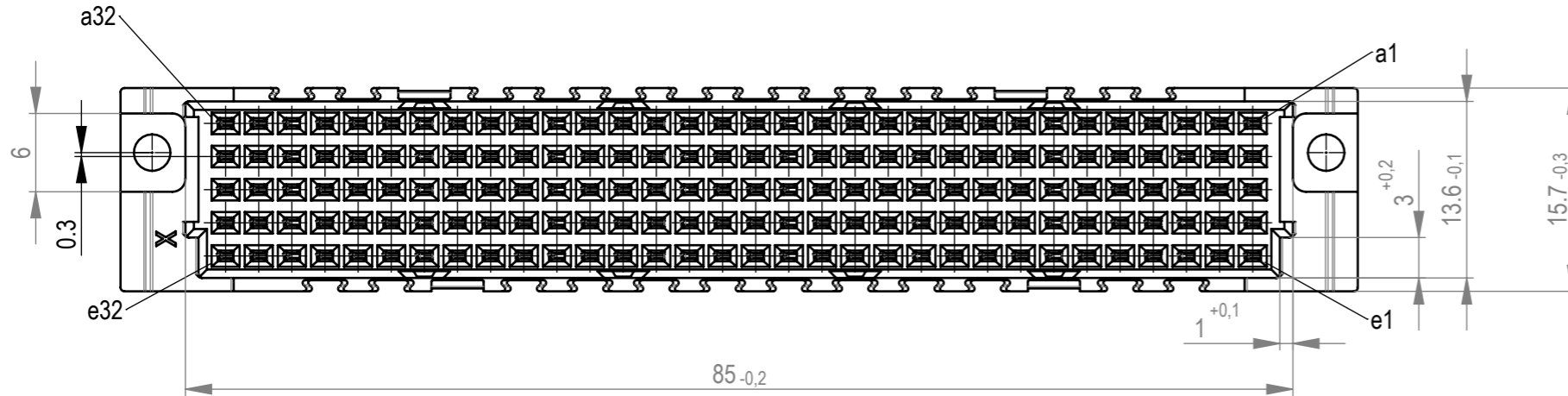
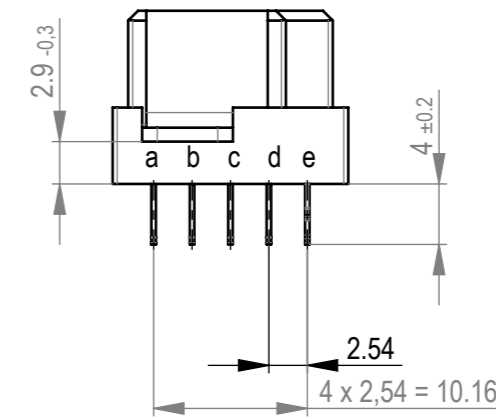
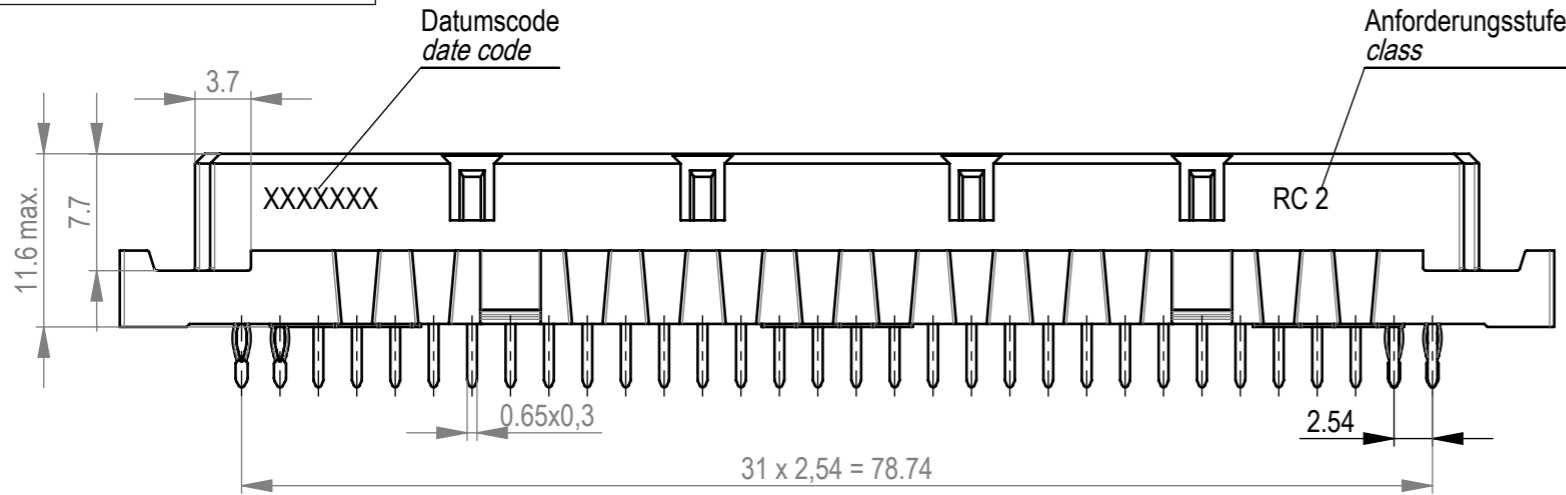
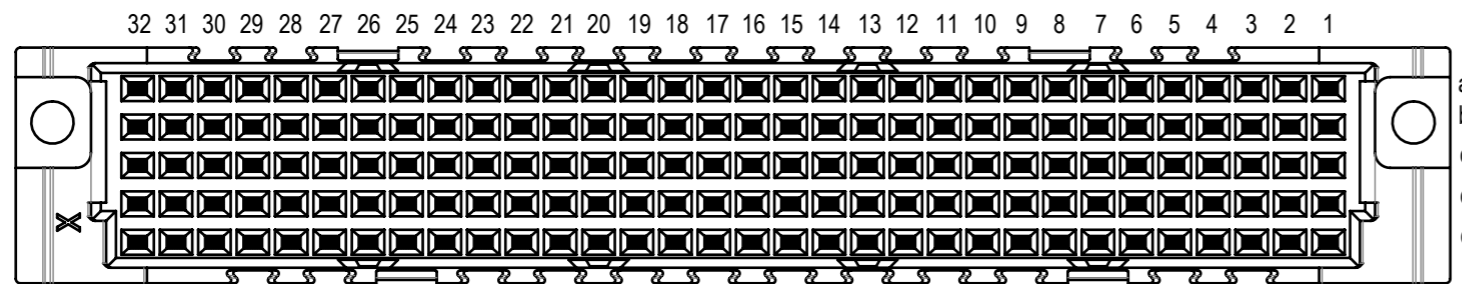


REV	DESCRIPTION	DATE	DWN	APVD
B2	UPDATED DRAWING PER ECN-25-342078	08SEP2025	CR	PV



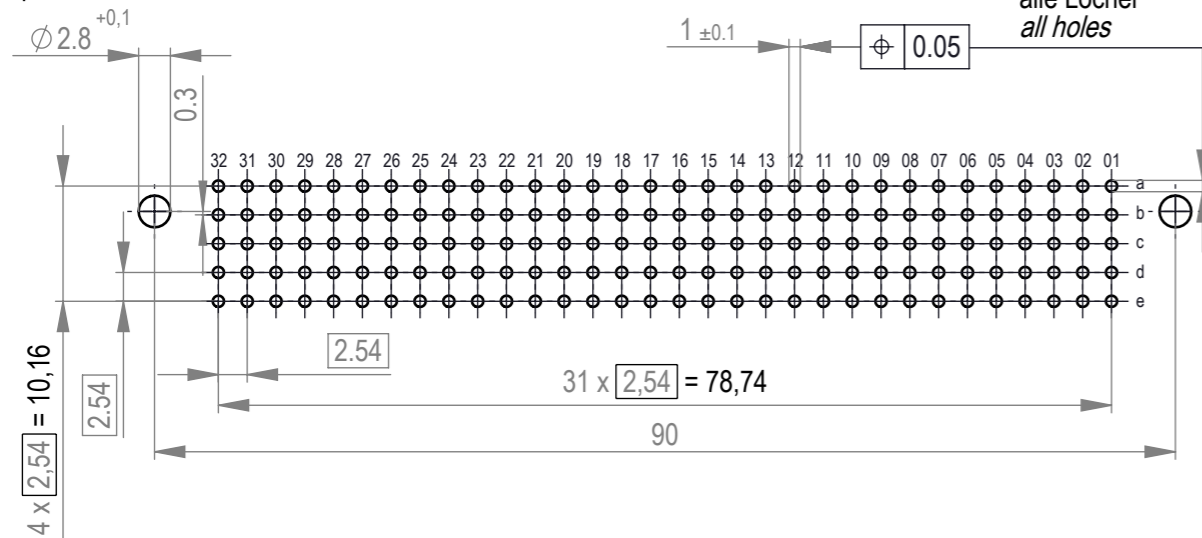
Bestückungsplan / contact layout

■ bestückt / assembled



Tauchlötanschluss 0,65 x 0,3 mm / solder terminal 0,65 x 0,3 mm
 Isolierwerkstoff / housing material: PBT GF30
 Bauart 7 / type 7
 Anforderungsstufe 2 = 400 Steckzyklen / performance class 2 = 400 mating cycles
 Fehlende Maße und Angaben gemäß IEC 60 603-2 / DIN EN 60 603-2
 Missing information and dimensions according to IEC 60 603-2 / DIN EN 60 603-2

Leiterplatten-Lochbild / PCB drillhole Pattern



Halteösen auf Pos. a1, a2, e31, e32
 retaining loop at pos. a1, a2, e31, e32

THIS DRAWING IS A CONTROLLED DOCUMENT.		DWN SEIDEL 29NOV2012	TE Connectivity	
DIMENSIONS: mm		CHK WÖRNER 29NOV2012		
TOLERANCES UNLESS OTHERWISE SPECIFIED: ISO 8015		APVD SEMILIA 19MAY2020	NAME Fem. Connector E 160 Solder	
MATERIAL -		FINISH -	SIZE A3	CAGE CODE 00779
			DRAWING NO C=284313-E	RESTRICTED TO
CUSTOMER DRAWING		SCALE 2:1	SHEET 1 OF 1	REV B2