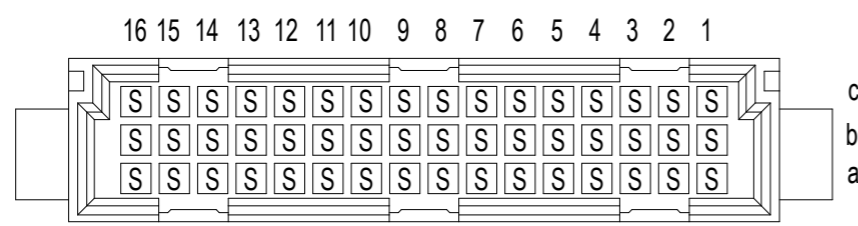
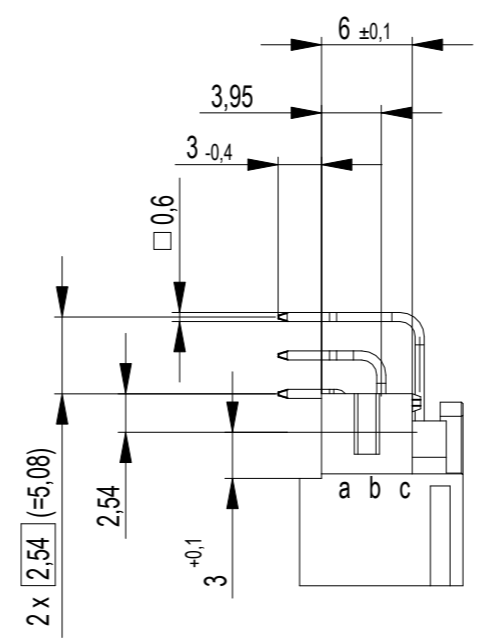
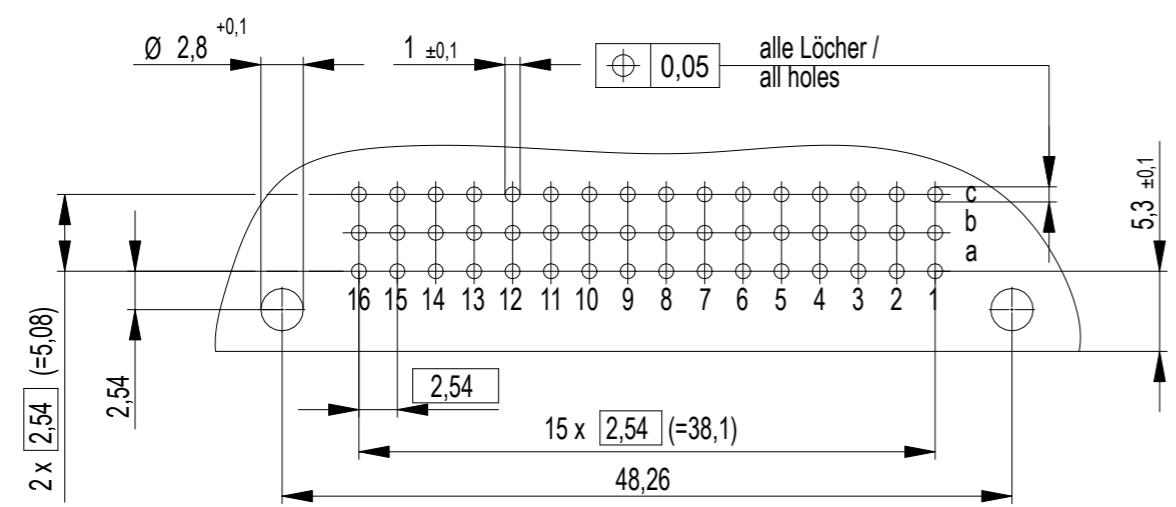


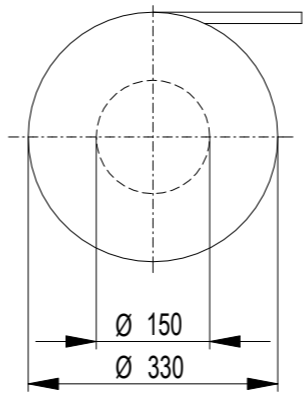
Bestückungsplan / contact layout



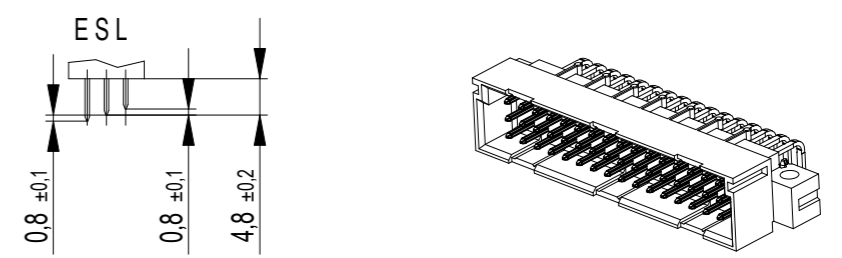
Leiterplatten- Lochbild / PCB drillhole pattern



Verpackt im Gurt in Anlehnung an DIN IEC 60286-3  
tape on reel packaging according to DIN IEC 60286-3  
Verpackungseinheit: 150 Stück  
packaging unit: 150 pcs

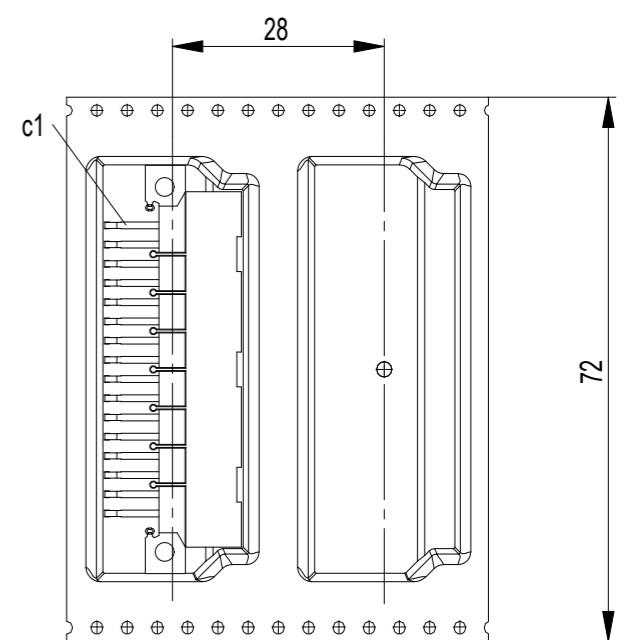


Stecklänge / mating length



E = early mate, late break / voreilend  
S = standard  
L = late mate, early break / nacheilend

THR = through hole reflow  
Bauart 4 / type 4  
Anforderungsstufe 2 = 400 Steckzyklen / performance class 2 = 400 mating cycles  
Fehlende Maße und Angaben nach IEC 60 603-2 / DIN EN 60 603-2  
Missing information and dimensions per IEC 60 603-2 / DIN EN 60 603-2



Abspulrichtung - Reel off Direction

Die deutsche Version dieser Zeichnung dient nur zur Erleichterung der Handhabung. Bei Abweichungen vom dem englischen Original gilt das englische Original.  
 The german version of this drawing has been offered for convenience only and may deviate from the english original.  
 In case of any deviation the English version shall prevail.  
 Die deutsche Version dieser Zeichnung dient nur zur Erleichterung der Handhabung. Bei Abweichungen vom dem englischen Original gilt das englische Original.  
 The german version of this drawing has been offered for convenience only and may deviate from the english original.  
 In case of any deviation the English version shall prevail.  
 Alle Rechte für den Fall der Patent-, Gebrauchsmuster- oder Geschmackschutzrechte vorbehalten.  
 The reproduction, distribution and utilization of this document as well as the communication of its contents to others without express authorization is prohibited. Offences will be held liable for the payment of damages. All rights reserved in the event of the grant of a patent, utility model or design.

Dimension no.	Tolerances Dim. for Information ISO 8015	All Dimensions in mm	Scale 2:1	Material
Customer drawing: This Drawing is a controlled Document.	Subject to modification without prior notice. Drawing will not be updated.		ERNI-Messerleiste C/2 48 THR Male Con.C/2 48 THR	
		C-444382-E		I A3
b1	15.03.2023	Class STVC/2		
Index	Date			