

364777-E ✓ ACTIVE

ERNI | M12 Connector

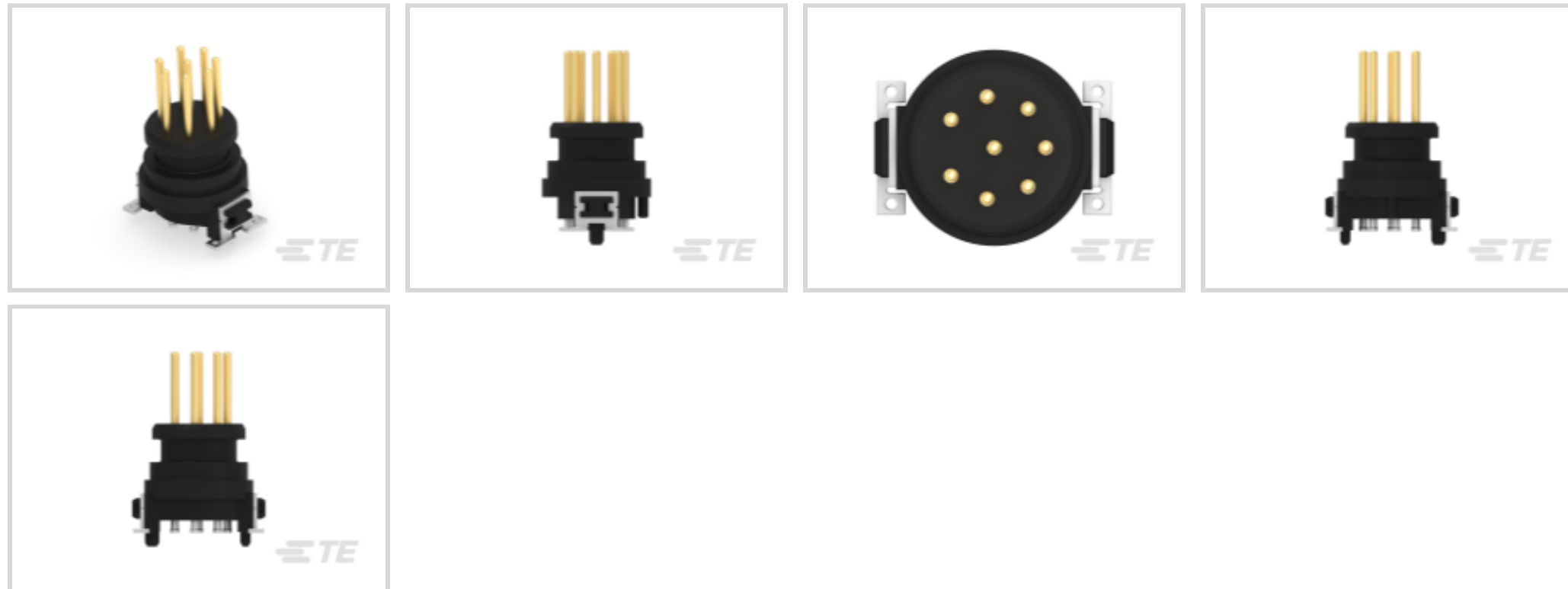
TE Internal #: 364777-E

Board-to-Board, Circular Connector Plug, 8 Position, Printed Circuit Board, Power & Signal, Board Mount, Code A, Contacts Preloaded, M12 Connector

[View on TE.com >](#)



Connectors > Circular Connectors > Standard Circular Connectors



Connector System: **Board-to-Board**

Connector Mounting Type: **Board Mount**

Number of Positions: **8**

Connector & Contact Terminates To: **Printed Circuit Board**

Contact Current Rating (Max): **2 A**

Features

Product Type Features

Connector Product Type	Connector Assembly
Connector System	Board-to-Board
Connector & Contact Terminates To	Printed Circuit Board
Circular Connector Type	Circular Connector Plug

Configuration Features

Number of Positions	8
Contacts Preloaded	Yes

Electrical Characteristics

Operating Voltage	30 VDC
-------------------	--------

Body Features

Entry Style	Top
Environmental Protection	IP67

Contact Features

--	--



Contact Current Rating (Max)	2 A
------------------------------	-----

Circular Connector Contact Type	Pin
---------------------------------	-----

Termination Features

Termination Method to PCB	Surface Mount
---------------------------	---------------

Mechanical Attachment

Mating Alignment	With
------------------	------

PCB Mount Alignment	With
---------------------	------

PCB Mount Retention	With
---------------------	------

Connector Mounting Type	Board Mount
-------------------------	-------------

Polarization Code	A
-------------------	---

Mating Alignment Type	Polarization
-----------------------	--------------

Mating Retention	Without
------------------	---------

Dimensions

Assembly Length	9 mm
-----------------	------

Usage Conditions

Operating Temperature Range	-25 – 85 °C[-13 – 185 °F]
-----------------------------	---------------------------

Operation/Application

Circuit Application	Power & Signal
---------------------	----------------

Shielded	No
----------	----

Industry Standards

UL Flammability Rating	UL 94V-0
------------------------	----------

Product Compliance

[For compliance documentation, visit the product page on TE.com>](#)

EU RoHS Directive 2011/65/EU	Compliant with Exemptions
------------------------------	---------------------------

EU ELV Directive 2000/53/EC	Not Yet Reviewed
-----------------------------	------------------

China RoHS 2 Directive MIIT Order No 32, 2016	有害物质含量超出标准 Restricted Substance(s) Above Threshold
---	--

EU REACH Regulation (EC) No. 1907/2006	Current ECHA Candidate List: JUNE 2025 (250) Candidate List Declared Against: JUNE 2025 (250) SVHC > Threshold: Pb (3.5% in Component Part) <small>Article Safe Usage Statements:</small>
--	---



Do not eat, drink or smoke when using this product. Wash thoroughly after handling. Recycle if possible and dispose of the article by following all applicable governmental regulations relevant to your geographic location.

Halogen Content	Low Halogen - Br, Cl, F < 900 ppm per homogenous material. Also BFR/CFR/PVC Free
Solder Process Capability	Not reviewed for solder process capability

Product Compliance Disclaimer

This information is provided based on reasonable inquiry of our suppliers and represents our current actual knowledge based on the information they provided. This information is subject to change. The part numbers that TE has identified as EU RoHS compliant have a maximum concentration of 0.1% by weight in homogenous materials for lead, hexavalent chromium, mercury, PBB, PBDE, DBP, BBP, DEHP, DIBP, and 0.01% for cadmium, or qualify for an exemption to these limits as defined in the Annexes of Directive 2011/65/EU (RoHS2). Finished electrical and electronic equipment products will be CE marked as required by Directive 2011/65/EU. Components may not be CE marked. Additionally, the part numbers that TE has identified as EU ELV compliant have a maximum concentration of 0.1% by weight in homogenous materials for lead, hexavalent chromium, and mercury, and 0.01% for cadmium, or qualify for an exemption to these limits as defined in the Annexes of Directive 2000/53/EC (ELV). Regarding the REACH Regulations, TE's information on SVHC in articles for this part number is still based on the European Chemical Agency (ECHA) 'Guidance on requirements for substances in articles' (Version: 2, April 2011), applying the 0.1% weight on weight concentration threshold at the finished product level. TE is aware of the European Court of Justice ruling of September 10th, 2015 also known as O5A (Once An Article Always An Article) stating that, in case of 'complex object', the threshold for a SVHC must be applied to both the product as a whole and simultaneously to each of the articles forming part of its composition. TE has evaluated this ruling based on the new ECHA "Guidance on requirements for substances in articles" (June 2017, version 4.0) and will be updating its statements accordingly.

Compatible Parts



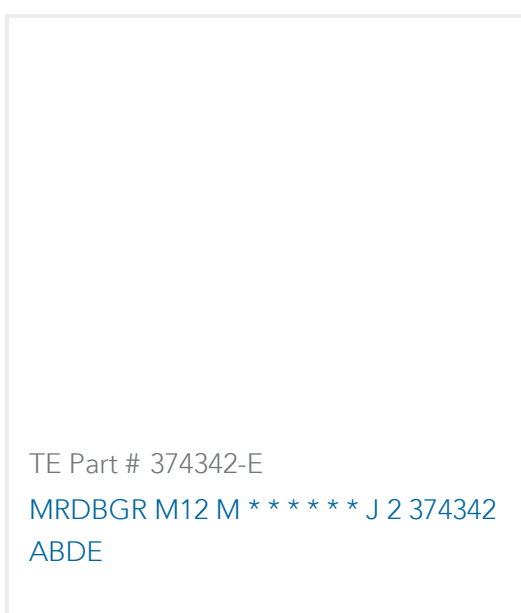
TE Part # 394863-E
M12 METAL SHELL, MALE, VERT, 13MM, D9.55



TE Part # T4110012081-000
M12 F, 8P GOLD A_CODE S SHIELDED PG9



TE Part # T4112012081-000
M12 F, 8P GOLD A_CODE RA SHIELDED PG9



TE Part # 374342-E
MRDBGR M12 M ***** J 2 374342 ABDE

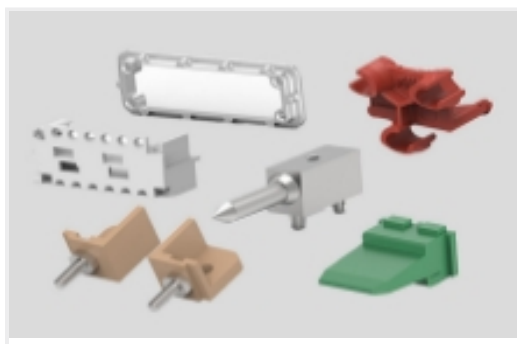


TE Part # T4161320008-001
RPC-M12-FS-8CON-PUR-0.5SH



TE Part # 464272-E
M12 METAL SHELL, MALE, VERT, 9MM

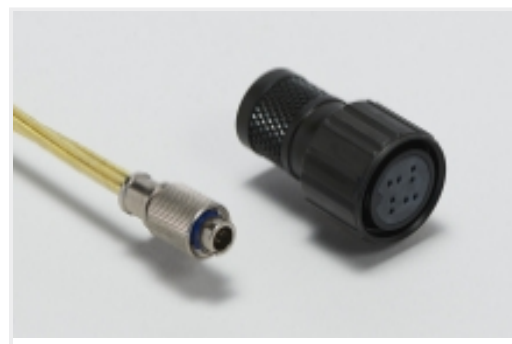
Also in the Series | [M12 Connector](#)



Connector Hardware(11)



Connector Seals & Cavity Plugs(4)



Standard Circular Connectors(792)

Customers Also Bought



TE Part #474331-E
M12 MALE, UNI CODE, 5P, 10.5MM SMT, DI



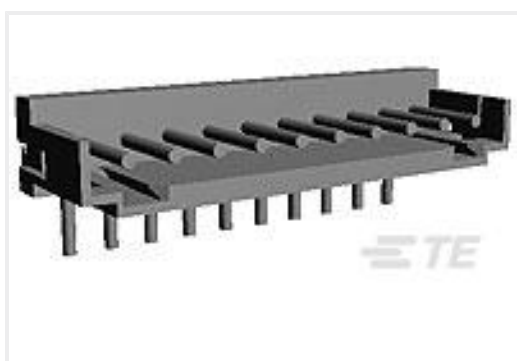
TE Part #5-102570-4
12 MODII HDR DRRR SHRD LF



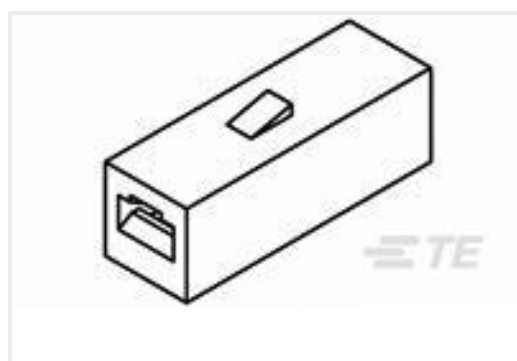
TE Part #5-103956-5
4X6 MTE RCPT SR LATCH .100CL



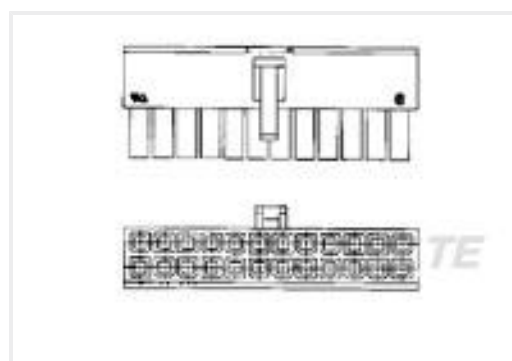
TE Part #160655-2
FASTON 110 REC 20-15 AWG PTPB



TE Part #1-292253-3
CT CONN MT HDR ASSY H 13P NAT



TE Part #626062
FASTIN-ON HOUSING REC PA66 NATURAL



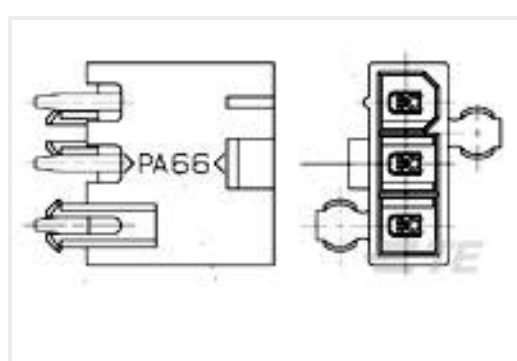
TE Part #2-794954-0
20P RCPT VAL-U-LOK V2



TE Part #826925-8
8P MOD2 STIFT LEI



TE Part #1-1393243-4
RTE24110



TE Part #2029181-3
3P VAL-U-LOK VRTHDR W/PGS GW

Documents

Product Drawings

M12 MALE, UNI CODE, 8P, 10.5MM SMT, DI

English

CAD Files

Customer View Model

[ENG_CVM_CVM_364777-E_A.3d_igs.zip](#)

English

Customer View Model



[ENG_CVM_CVM_364777-E_A.3d_stp.zip](#)

English

Customer View Model

[ENG_CVM_CVM_364777-E_A.2d_dxf.zip](#)

English

3D PDF

3D

By downloading the CAD file I accept and agree to the [Terms and Conditions](#) of use.

Product Specifications

Application Specification

English

Agency Approvals

UL

English